

# H4 LICENSE PLATE CAPTURE CAMERA

3 MP

The Avigilon H4 Licence Plate Capture (LPC) camera is designed to capture vehicle license plates in applications where it is critical to obtain character recognition at typical vehicle speeds. When used with Avigilon License Plate Recognition (LPR) analytics technology, the H4 LPC camera is designed to provide accurate results in a wide variety of lighting conditions. Using infrared illumination and visible light filtering, the H4 LPC camera enables the Avigilon LPR analytics technology to accurately identify license plate characters from a range of distances.



## FEATURES



### WORKS WITH AVIGILON UNITY VIDEO SOFTWARE

Enables Avigilon LPR analytics to automatically read license plate information and link it to live and recorded video in Avigilon Unity Video software.



### WEATHER RATED

IP66 weather rating from -30–50°C (-22–122°F) allows for reliable operation in challenging climates.



### INTEGRATED IR ILLUMINATION & VISIBLE LIGHT FILTERING

Gives the camera much greater depiction of characters on reflective number plates.



### GREATER ACCURACY AT HIGHER SPEEDS

Allows license plate capture at vehicle speeds up to 100 km/hr (62 mph).



### MULTIPLE INSTALLATION OPTIONS

4.7–84 mm varifocal lens, multiple included IR illuminator lens options and POE+ for all components enable flexibility between different installation scenarios.

For more information visit [avigilon.com/h4-lpc](https://www.avigilon.com/h4-lpc)



**MOTOROLA SOLUTIONS**

**AVIGILON™**

# SPECIFICATIONS

GENERAL	
Maximum Capture Speed	100 km/h (62 mph)
Minimum Illumination	0 lux
IR Illumination	850nm, continuous, field adjustable angle
Maximum IR Illumination Distance	Single Lane: 30m (100ft), Dual Lane: 14m (46ft)
Operating Temperature Range	-30 °C (-22°F) to 50 °C (122 °F)
Cold Start Delay	Up to 1.5 hours
Humidity	0 - 95% non-condensing

## CAMERA SPECIFICATIONS

IMAGE PERFORMANCE	
Image Sensor	1/2.8" progressive scan CMOS
Aspect Ratio	4:3
Active Pixels	3MP: 2048 x 1536
Imaging Area	5.12 mm x 3.84 mm; 0.20" x 0.15"
Maximum Image Rate	30 fps
3D Noise Reduction Filter	Yes

LENS	
Lens	4.7 – 84.6mm, F1.6, P-Iris, remote focus and zoom
Angle of View	3.5° – 59°

IMAGE CONTROL	
Video Compression	H.264 (MPEG-4 Part 10/AVC), Motion JPEG, HDSM SmartCodec™ Technology
Streaming	Multi-stream H.264 and Motion JPEG
Bandwidth Management	HDSM™
Motion Detection	Selectable sensitivity and threshold
Iris Control	Automatic, Manual
Day/Night Control	Automatic, Manual
Flicker Control	50 Hz, 60 Hz
White Balance	Automatic, Manual
Backlight Compensation	Adjustable
Privacy Zones	Up to 64 zones
Audio Compression Method	G.711 PCM 8 kHz
Audio Input/Output	Line level input/output, A/V mini-jack (3.5 mm)
External I/O Terminals	Alarm In, Alarm Out
USB Port	USB 2.0 Micro

NETWORK	
Network	100BASE-TX
Cabling Type	CAT5
Connector	RJ-45
ONVIF®	ONVIF Profile S
Security	Password protection, HTTPS encryption, digest authentication, WS authentication, user access log, 802.1x port based

NETWORK	
	authentication
Protocol	IPv6, IPv4, HTTP, HTTPS, SOAP, DNS, NTP, RTSP, RTCP, RTP, TCP, UDP, IGMP, ICMP, DHCP, Zeroconf, ARP
Streaming Protocols	RTP/UDP, RTP/UDP multicast, RTP/RTSP/TCP, RTP/RTSP/HTTP/TCP, RTP/RTSP/HTTPS/TCP, HTTP
Device Management Protocols	SNMP v2c, SNMP v3

MECHANICAL	
Dimensions	168 mm x 76mm x 67mm; 6.6" x 3.0" x 2.6"
Weight	0.62 kg (1.4 lbs)
Camera Mount	1/4"-20 UNC (top and bottom)
Onboard Storage	SD/SDHC/SDXC slot – minimum class 4; class 6 or better recommended

ELECTRICAL	
Power Consumption	8 W
Power Source	VDC: 12V +/- 10%, 8W min; PoE: IEEE802.3af Class 3 compliant; VAC: 24V +/- 10%, 12VA min
Power Connector	2-pin terminal block
RTC Backup Battery	3V manganese lithium

ENVIRONMENTAL	
Storage Temperature	-10 °C to +70 °C (14 °F to 158 °F)

CERTIFICATIONS	
Certifications	UL, cUL, CE, ROHS, WEEE, RCM
Safety	UL 60950-1, CSA 60950-1, IEC/EN 60950-1
Electromagnetic Emissions	FCC Part 15 Subpart B Class B, IC ICES-003 Class B, EN 55032 Class B, EN 61000-6-3, EN 61000-3-2, EN 61000-3-3
Electromagnetic Immunity	EN 61000-6-1

## ENCLOSURE SPECIFICATIONS

MECHANICAL	
Dimensions	176 mm x 160mm x 514 mm (6.9" x 6.3" x 20.2")
Internal Usable Area (W x H x L)	100 mm x 70 mm x 250 mm (4.6" x 2.7" x 9.8")
Tilt Range	Included wall arm: 4° up to 65° down (sunshield full forward) or 12° down to 65° down (sunshield full retracted). ES-HD-MNT-PAR: 27° down to 90° up.
Weight	3.1 kg (6.6 lbs)
Window Material	Glass
Finish	RAL 9002

ELECTRICAL	
Power Consumption	25W
Power Source	IEEE 802.3at Class 4 PoE+
Heater	Electronically controlled, Ton 20 °C ± 2 °C (68 °F ± 4 °F), Toff 23 °C ± 2 °C (73.4 °F ± 4 °F)

CERTIFICATIONS	
Certifications	CE, ROHS
Safety	EN 55032, EN 61000-6-3, EN 61000-3-2, EN 61000-3-3
Electromagnetic Emissions	EN 50130-4
Electromagnetic Immunity	IP 66, Resistant to 1,000 hours of salt fog testing (ISO 9227)

## IR ILLUMINATOR SPECIFICATIONS

MECHANICAL	
Dimensions	100 x 135 x 66mm (4" x 5" x 2.5")
Weight	950g (2.1lbs)
Finish	Black
CAT5 Cable Length	2.5m included. Female to female CAT5 adapter included.
Bracket	Included, for mounting to ES-HD-LP-HS.

ILLUMINATOR	
Wavelength	850nm
Beam Angle	User adjustable lenses included: 35° x 10° (default), 60° x 25° or 10° circular.

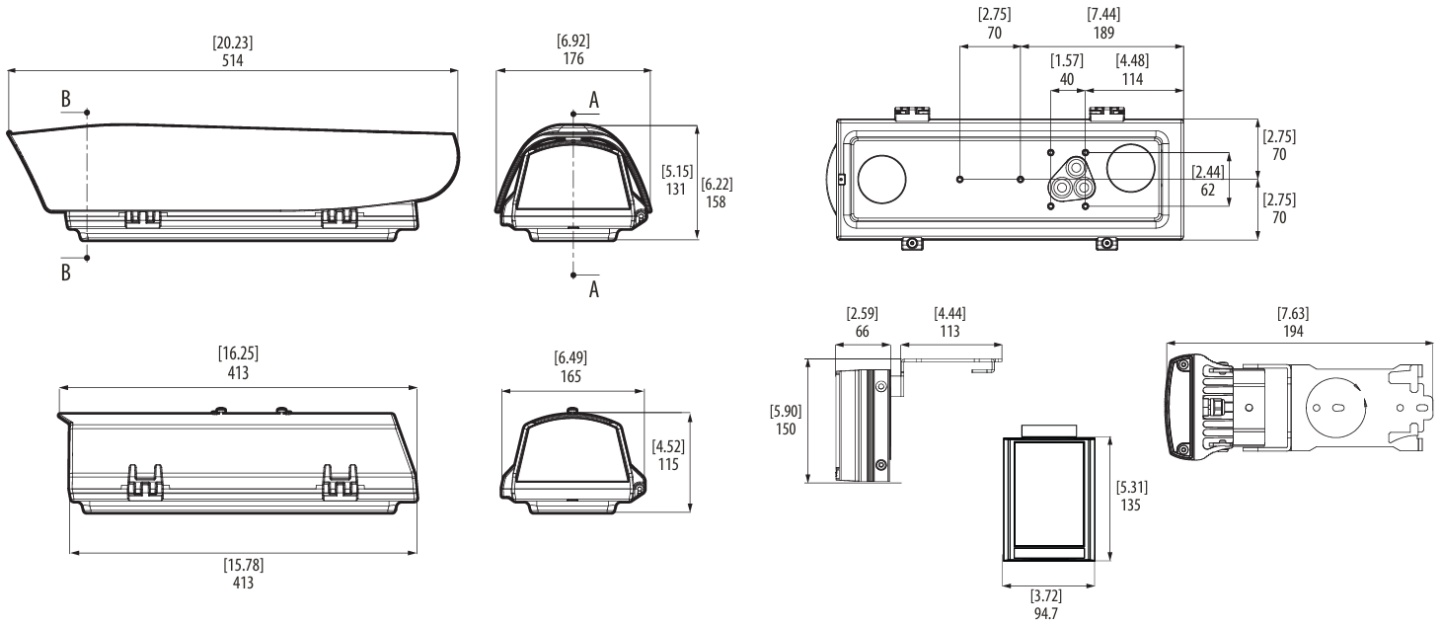
ELECTRICAL	
Power Consumption	25W
Power Source	IEEE 802.3at Class 4 PoE+

CERTIFICATIONS	
Certifications	UL, cUL, CE, ROHS, VCCI
Safety	UL 1598, UL 2108, UL 8750, CSA C22.2 No. 250.0, EN 60598-1, EN 60598-2-1, EN 62471 (Risk Group 2)
Electromagnetic Emissions	FCC Part 15 Subpart B Class B, EN 55015
Electromagnetic Immunity	FCC Part 15 Subpart B Class B, EN 61547
Environmental	IP66

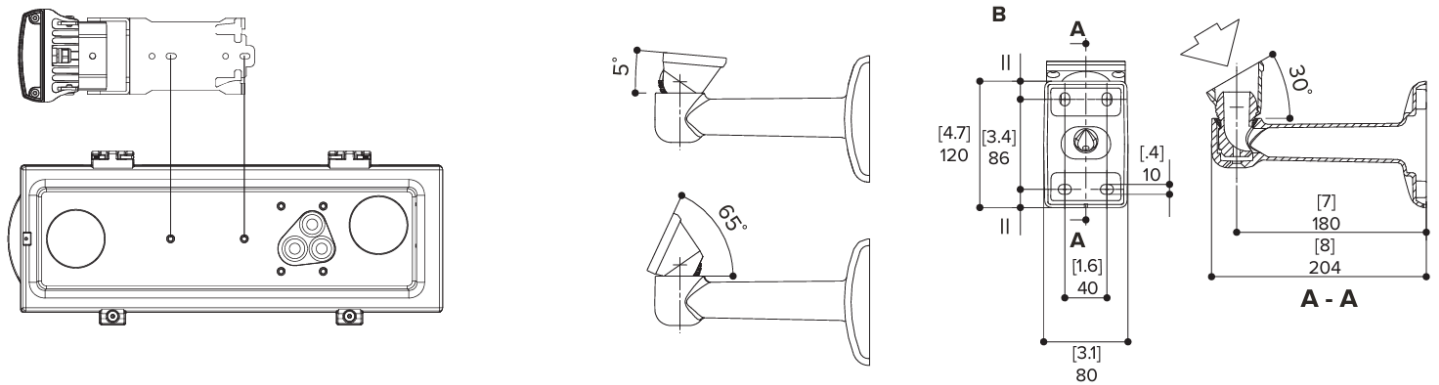
# OUTLINE DIMENSIONS

## CAMERA DIMENSIONS

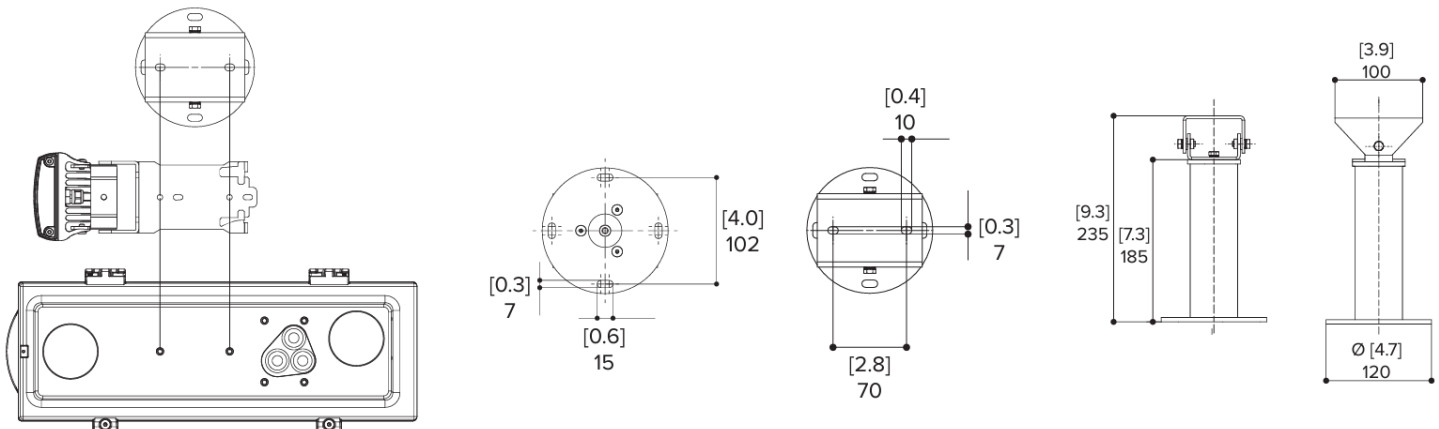
[X.X]	INCHES
X	MM



## MOUNTING ADAPTERS



## ES-HD-MNT-PAR



# ORDERING INFORMATION

## H4 LICENSE PLATE CAPTURE KIT

Order one of each of the following parts for an H4 License Plate Capture Camera.

DISPLAY PART NUMBER	DESCRIPTION
3.0C-HD-LP-B1	Box camera, 3.0 MP, 4.7-84.6mm f/1.6 lens, with visible light blocker
ES-HD-LP-HS	Standard format enclosure with heater, sunshield and PoE passthrough for a camera. PoE+ powers the camera enclosure and camera using one Ethernet connection. Included mounting arm or ES-HD-MNT-PAR must be used.
ES-HD-IR-IP6	IR illuminator, PoE+, Outdoor, included lens option for 60°, 35°, or 10° horizontal coverage. Included mounting adapter for use with ES-HD-LP-HS and ES-HD-MNT-PAR.

## MOUNTING ADAPTERS

The following are compatible mounting adapters for use with the ES-HD-LP-HS enclosure.

DISPLAY PART NUMBER	DESCRIPTION
ES-HD-MNT-PAR	Pedestal and ceiling mount for ES-HD-HWS-SM, ES-HD-HWS, ES-HD-CWS, ES-HD-HWS-LG, ES-HD-CWS-LG or ES-HD-LP-HS enclosure.
ES-HD-MNT-POLE-LG	Large pole mount for pole diameter 210mm (8.2 in) to 225mm (8.85 in) for ES-HD-HWS-SM, ES-HD-HWS, ES-HD-CWS, ES-HD-HWS-LG or ES-HD-CWS-LG enclosures when used in conjunction with ES-HD-MNT-PLATE.
ES-HD-MNT-POLE-MD	Medium pole mount for pole diameter 80mm (3 in) to 150mm (5.9 in). Compatible with wall arm included with ES-HD-HWS-SM, ES-HD-HWS, ES-HD-CWS, ES-HD-HWS-LG or ES-HD-CWS-LG enclosures when used in conjunction with ES-HD-MNT-PLATE. Up to two mounting positions.
ES-HD-MNT-POLE-SM	Small pole mount for pole diameter 60mm (2.5 in) to 110mm (4.3 in). Compatible with wall arm included with ES-HD-HWS-SM, ES-HD-HWS, ES-HD-CWS, ES-HD-HWS-LG or ES-HD-CWS-LG enclosures. Up to two mounting positions.
ES-HD-MNT-PLATE	Wall reinforcing wall plate, compatible with ES-HD-HWS-SM, ES-HD-HWS, ES-HD-CWS, ES-HD-HWS-LG or ES-HD-CWS-LG enclosures.
ES-HD-MNT-CORNER	Corner mount adapter. Compatible with wall arm included with ES-HD-HWS-SM, ES-HD-HWS, ES-HD-CWS, ES-HD-HWS-LG or ES-HD-CWS-LG enclosures.

## SUPPORT

Learn more and find additional documentation at [avigilon.com](https://www.avigilon.com) or email [sales@avigilon.com](mailto:sales@avigilon.com) for specific product support.



Nov 2023 | Rev 1

© 2021 - 2023, Motorola Solutions, Inc. All rights reserved. MOTOROLA, MOTO, MOTOROLA SOLUTIONS, and the Stylized M Logo are trademarks or registered trademarks of Motorola Trademark Holdings, LLC and are used under license. AVIGILON, the AVIGILON logo, AVIGILON CONTROL CENTER, ACC, HDSM SmartCodec and LIGHTCATCHER are trademarks of Avigilon Corporation. The absence of the symbols ™ and ® in proximity to each trademark in this document or at all is not a disclaimer of ownership of the related trademark. All other trademarks are the property of their respective owners.

[sales@avigilon.com](mailto:sales@avigilon.com) | [avigilon.com](https://www.avigilon.com)