

H5SL CAMERA LINE

1.3 MP

2 MP

3 MP

5 MP

The H5SL camera is a versatile and cost-effective security solution that is backed by an industry-leading warranty. With value and simplicity at the heart of this camera line, you will enjoy the ease of installation, flexible design features and various lens options the H5SL offers. Built on the H5 platform, it combines our patented LightCatcher and Wide Dynamic Range (WDR) technologies to provide exceptional image quality in complex lighting.



FEATURES



UNUSUAL MOTION DETECTION

Uses AI to notify you of unusual events that might otherwise have been missed, offering increased situational awareness and helping you effectively monitor more cameras.



LIGHTCATCHER™ TECHNOLOGY

Offers excellent image detail in low-light settings.



DUAL EXPOSURE WIDE DYNAMIC RANGE

Capture details in scenes with both very bright and dark areas.



ONVIF® COMPLIANT

Built on an open platform to allow integration with other security solutions.



MULTIPLE LENS OPTIONS

Choose from various lens types, including long zoom, for flexible coverage options.



H.265 WITH HDSM SMARTCODEC™ TECHNOLOGY

Optimizes compression levels for regions in a scene to help maximize bandwidth savings, helping to keep internet connectivity costs down.



ADAPTIVE INFRARED (IR)

Automatically adjusts IR beam width and exposure settings based on scene conditions to help maximize image quality.



RELAY I/O CONNECTIONS

Incorporate and configure input/output actions and alarms for fast event response.



MADE IN NORTH AMERICA AND 5 YEAR WARRANTY

Manufactured in North America* using globally-sourced materials and North American expertise, Avigilon stands behind the quality of its products. Backed by a 5 year warranty.

ONVIF is a trademark of Onvif, Inc.

* With manufacturing facilities in both the United States and Canada, our "Made In North America" claim only applies to products from our Texas and British Columbia facilities.

SPECIFICATIONS

IMAGE PERFORMANCE		1.3 MP	2.0 MP	3.0 MP	5.0 MP
Image Sensor		1/2.8" progressive scan CMOS			
Aspect Ratio		5:4	16:9	4:3	4:3
Active Pixels (H x V)		1280 x 1024	1920 x 1080	2048 x 1536	2592 x 1944
Imaging Area (H x V)		3.2 mm x 2.56 mm; 0.126" x 0.101"	4.8 mm x 2.7 mm; 0.189" x 0.106"	5.12 mm x 3.84 mm; 0.202" x 0.151"	5.18 mm x 3.89 mm; 0.204" x 0.153"
Max Image Rate		(50 Hz/60 Hz): 25 fps/30 fps			(50 Hz/60 Hz): 25 fps/24 fps
Dynamic Range	WDR Off	100 dB			
	WDR On	120 dB (dual exposure)			110 dB (dual exposure)
Bandwidth Management		HDSM SmartCodec technology; Idle scene mode			
3D Noise Reduction Filter		Yes			

LENS AND IR ILLUMINATION		3 – 9 MM	3.1 – 8.4 MM	9.5 – 31 MM
IR Illumination Max Distance (high power 850 nm LEDs)	Dome	30 m (100 ft), full tele 20 m (65 ft), full wide	30 m (100 ft), full tele 20 m (65 ft), full wide	N/A
	Bullet	N/A	50 m (165 ft), full tele 30 m (100 ft), full wide	70 m (230 ft), full tele 30 m (100 ft), full wide
Minimum Illumination	1.3 MP	With IR: 0 lux in monochrome mode Without IR: 0.03 lux in color mode; 0.015 lux in monochrome mode	With IR: 0 lux in monochrome mode Without IR: 0.04 lux in color mode; 0.02 lux in monochrome mode	N/A
	2.0 MP			N/A
	3.0 MP	With IR: 0 lux in monochrome mode Without IR: 0.03 lux in color mode; 0.015 lux in monochrome mode	With IR: 0 lux in monochrome mode Without IR: 0.02 lux in color mode; 0.01 lux in monochrome mode	With IR: 0 lux in monochrome mode Without IR: 0.03 lux in color mode; 0.015 lux in monochrome mode
	5.0 MP			With IR: 0 lux in monochrome mode Without IR: 0.015 lux in color mode; 0.007 lux in monochrome mode
Horizontal Angle of View Based on Aspect Ratio	1.3 MP	(16:9)(4:3) 35° – 90° (5:4) 33° – 85°	(16:9)(4:3) 35° – 90° (5:4) 33° – 85°	N/A
	2.0 MP			N/A
	3.0 MP	N/A	(16:9)(4:3) 35° – 90°	(16:9) 10° – 32°; (5:4) 9.5° – 32°; (4:3) 9.5° – 30°
	5.0 MP			(16:9)(4:3) 9.5° – 30°
Vertical Angle of View Based on Aspect Ratio	1.3 MP	(16:9) 20° – 49° (5:4)(4:3) 26° – 66°	(16:9) 20° – 49° (5:4)(4:3) 26° – 66°	N/A
	2.0 MP			N/A
	3.0 MP	N/A	(16:9) 20° – 49°; (4:3) 26° – 66°	(16:9) 6° – 17°; (5:4)(4:3) 7° – 23°
	5.0 MP			(16:9) 6° – 17°; (4:3) 7° – 23°
Max Aperture		F1.4	F1.6	F1.4
Control		P-Iris, Remote Focus and Zoom		

IMAGE CONTROL	
Image Compression Method	H.264 HDSM SmartCodec, H.265 HDSM SmartCodec, Motion JPEG
Streaming	Multi-stream H.264, Multi-stream H.265, Motion JPEG
Motion Detection	Pixel and Unusual Motion Detection (UMD)
Tamper Detection	Yes
Electronic Shutter Control	Automatic, Manual (1/6 to 1/8000 sec)
Iris Control	Automatic, Manual
Day/Night Control	Automatic, Manual

IMAGE CONTROL	
Flicker Control	50 Hz, 60 Hz
White Balance	Automatic, Manual
Backlight Compensation	Adjustable
Privacy Zones	Up to 64 zones

AUXILIARY I/O	
Audio Compression Method	Opus, G.711 PCM 8 kHz
Audio Input/Output	Line level input and output
External I/O Terminals	Alarm In, Alarm Out

NETWORK	
Network	100BASE-TX
Cabling Type	CAT5
Connector	RJ-45
ONVIF	ONVIF compliance version 1.02, 2.00, Profile S, Profile T, Profile G (www.onvif.org)
Security	Password protection, HTTPS encryption, digest authentication, WS authentication, user access log, 802.1x port based authentication
Protocols	IPv6, IPv4, HTTP, HTTPS, SOAP, DNS, NTP, RTSP, RTCP, RTP, TCP, UDP, IGMPv2, ICMP, DHCP, Zeroconf, ARP, HSTS
Streaming Protocols	RTP/UDP, RTP/UDP multicast, RTP/RTSP/TCP, RTP/RTSP/HTTP/TCP, RTP/RTSP/HTTPS/TCP, HTTP
Device Management Protocols	SNMP v2c, SNMP v3

PERIPHERALS	
USB Port	USB 2.0
Onboard Storage	microSD/microSDHC/microSDXC slot – video speed class card required. Class V10 or better recommended.

MECHANICAL (DOME)	SURFACE MOUNT	IN-CEILING MOUNT	PENDANT MOUNT	
			NPT ADAPTER	NPT + WALL MOUNT
Dimensions (LxWxH)	147 mm x 147 mm x 119 mm; 5.8" x 5.8" x 4.7"	174 mm x 174 mm x 162 mm; 6.9" x 6.9" x 6.4"	153 mm x 153 mm x 166 mm; 6.0" x 6.0" x 6.5"	269 mm x 153 mm x 214 mm; 10.6" x 6.0" x 8.4"
Max. Ceiling Thickness	N/A	32 mm (1.25")	N/A	N/A
Weight	Indoor Dome — 0.76 kg; 1.68 lbs Outdoor Dome — 0.78 kg; 1.72 lbs	Indoor Dome — 0.75 kg; 1.65 lbs Outdoor Dome — 0.77 kg; 1.69 lbs	Indoor Dome — 0.75 kg; 1.65 lbs Outdoor Dome — 0.77 kg; 1.69 lbs	Indoor Dome — 2.02 kg; 4.45 lbs Outdoor Dome — 2.04 kg; 4.49 lbs
Dome Bubble	Polycarbonate, clear			
Body	Polycarbonate			Polycarbonate/aluminum
Housing	Vandal resistant			
Finish	Plastic, injection molded, close to RAL9002			Close to RAL9003
Adjustment Range	360° pan, ±180° azimuth, 30° – 95° tilt (recommended), 10° – 95° tilt (maximum)			

MECHANICAL (BULLET)		
Dimensions (LxWxH)	285 mm x 131 mm x 97 mm; 11.2" x 5.1" x 3.8" (including mounting bracket)	
Weight	Camera	1.29 kg (2.84 lbs)
	Mounting Bracket	0.21 kg (0.46 lbs)
Body	Aluminum	
Housing	Surface mount, tamper resistant, vandal resistant	
Finish	Cast, powder coated, close to RAL9002	

MECHANICAL (BULLET)

Adjustment Range	±175° pan, ±90° tilt, ±175° azimuth
------------------	-------------------------------------

ELECTRICAL

Power Consumption	Indoor Dome	5 W max
	Outdoor Dome	8 W max
	Bullet	9 W max
Power Source*	PoE: IEEE802.3af Class 3 compliant	
RTC Backup Battery	3V manganese lithium	
Memory	512 MB RAM, 512 MB Flash	

* When powered with some models of PoE++ injectors, the injectors may not power the camera correctly.

ENVIRONMENTAL

Operating Temperature	Indoor Dome	0 °C to +60 °C (32 °F to 140 °F)
	Bullet and Outdoor Dome	-40 °C to +60 °C (-40 °F to 140 °F)
Storage Temperature	-10 °C to +70 °C (14 °F to 158 °F)	
Humidity	0 - 95% non-condensing	

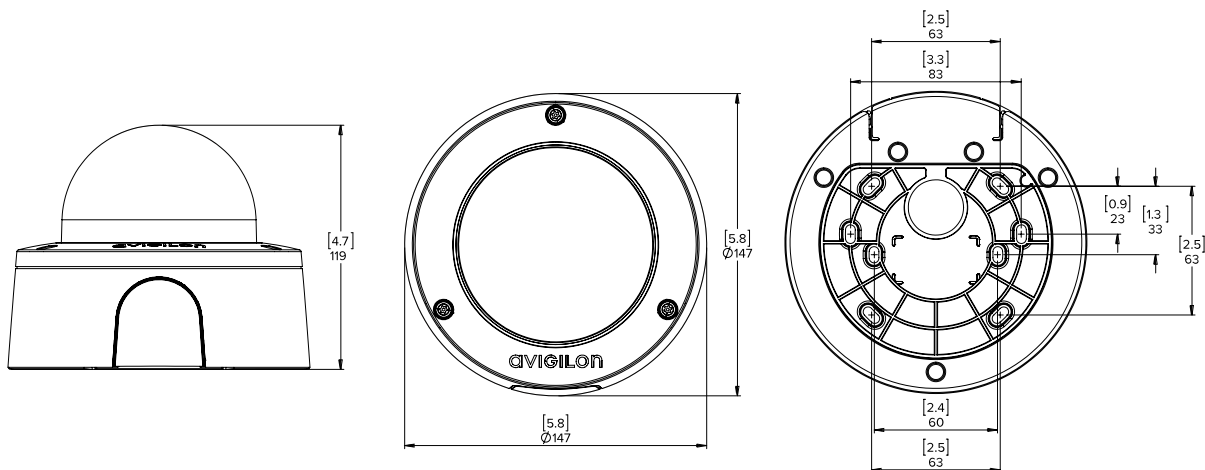
CERTIFICATIONS

Certifications/Directives	UL, cUL, CE, ROHS, RCM, EAC, BIS, KC	
Safety	UL 62368-1, CSA 62368-1, IEC/EN 62368-1, IEC 62471	
Environmental	Bullet	IEC 62262 IK10 Impact Rating, UL/CSA/IEC 60950-22, IEC 60529 IP66 and IP67 Weather Rating
	Outdoor Dome	IEC 62262 IK10 Impact Rating, UL/CSA/IEC 60950-22, IEC 60529 IP66 and IP67 Weather Rating
Electromagnetic Emissions	FCC Part 15 Subpart B Class B, IC ICES-003 Class B, EN 55032 Class B, EN 61000-6-3, EN 61000-3-2, EN 61000-3-3	
Electromagnetic Immunity	EN 55035, EN 61000-6-1	
Industrial EMC	EN 50130-4, EN 50121-4	

OUTLINE DIMENSIONS

DOME CAMERA WITH SURFACE MOUNT (H5SL-D / H5SL-DO + PROVIDED SURFACE MOUNT)

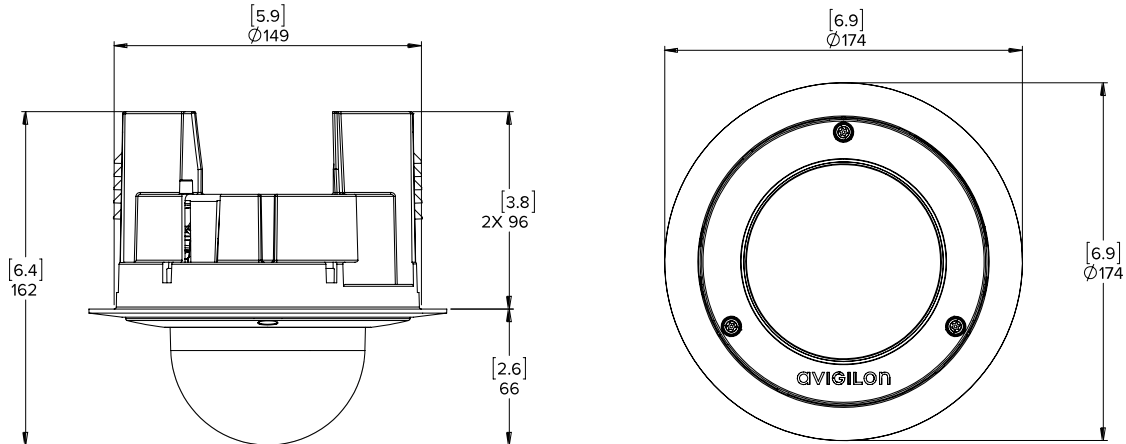
[X.X]	INCHES
X	MM



DOME CAMERA WITH IN-CEILING MOUNT

(H5SL-D/H5SL-DO + H4SL-MT-DCIL)

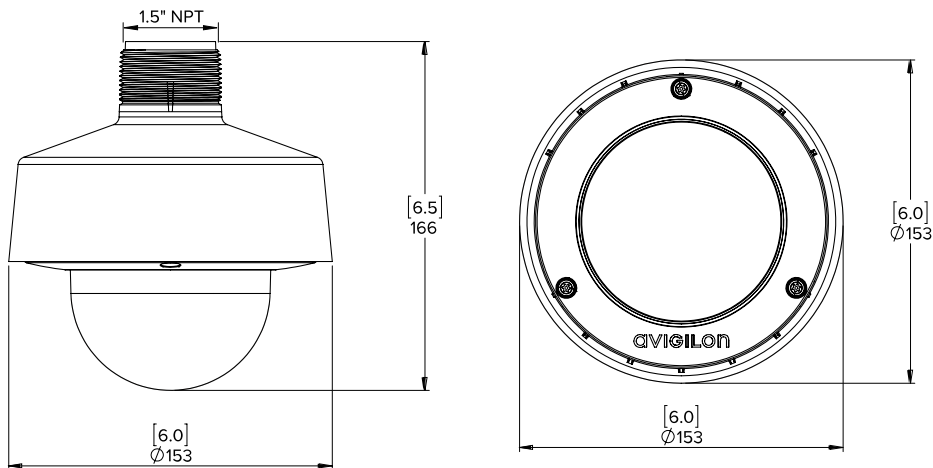
[X.X]	INCHES
X	MM



DOME CAMERA WITH NPT ADAPTER

(H5SL-D/H5SL-DO + H4SL-MT-NPTA)

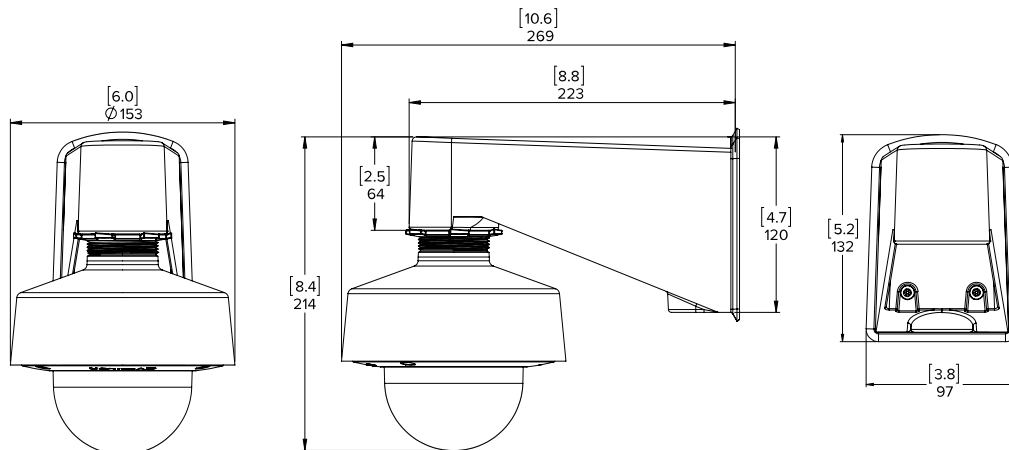
[X.X]	INCHES
X	MM



DOME CAMERA WITH NPT ADAPTER AND PENDANT WALL MOUNT

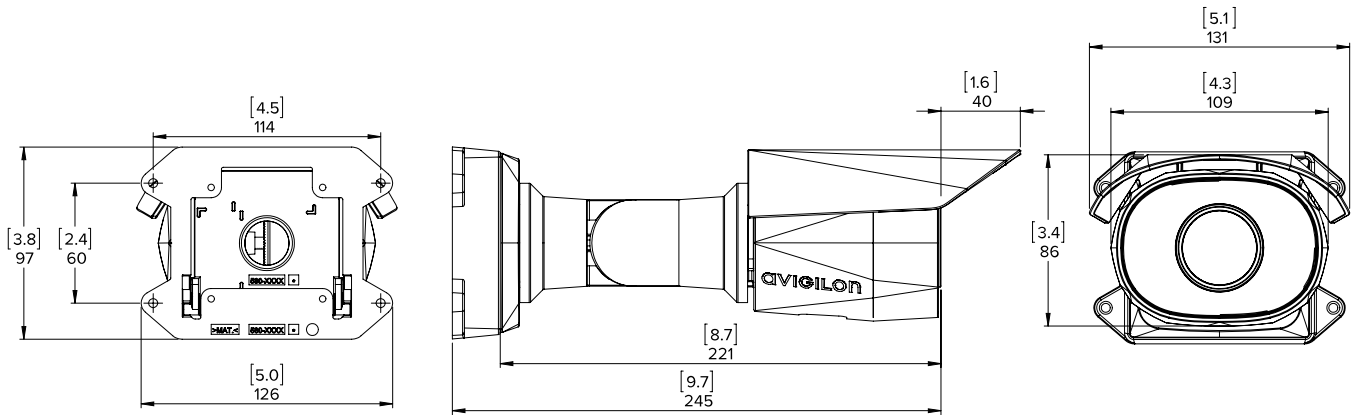
(H5SL-D/H5SL-DO + H4SL-MT-NPTA + CM-MT-WALL1)

[X.X]	INCHES
X	MM



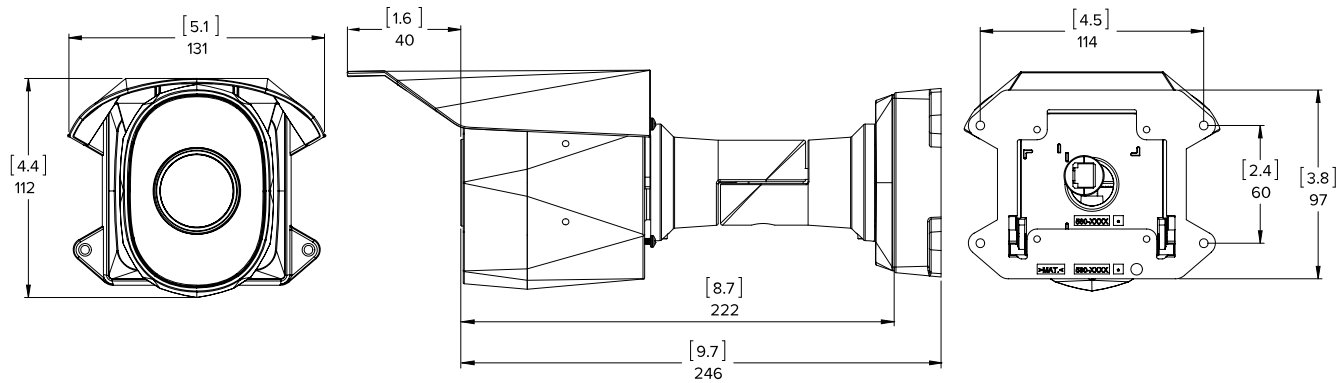
BULLET CAMERA
(H5SL-B0-IR) LANDSCAPE MODE

[X.X]	INCHES
X	MM



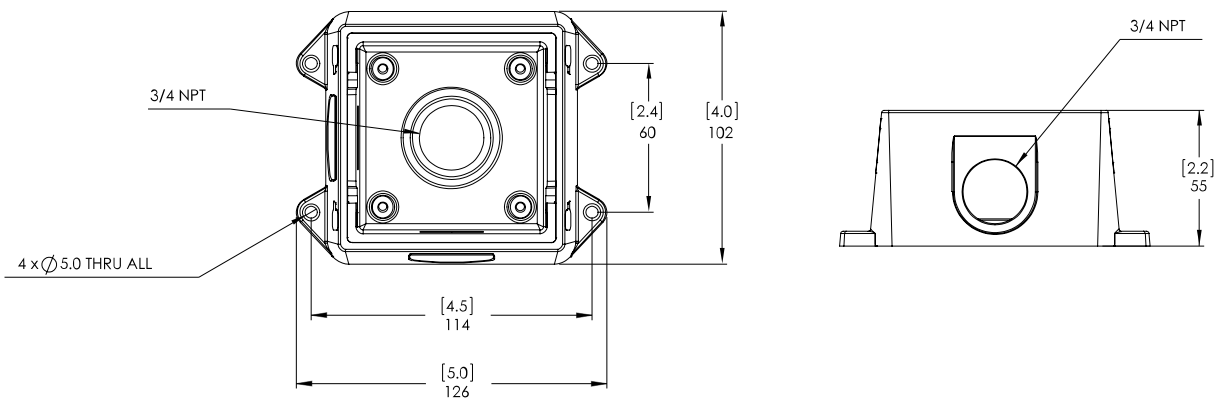
(H5SL-B0-IR) HALLWAY MODE

[X.X]	INCHES
X	MM



BULLET CAMERA JUNCTION BOX
(H4-B0-JBOX1)

[X.X]	INCHES
X	MM



ORDERING INFORMATION

BULLET

	MP	WDR	LIGHTCATCHER TECHNOLOGY	LENS	IR	IP66/IP67	HDSM SMARTCODEC
1.3C-H5SL-B01-IR	1.3	✓	✓	3.1 - 8.4 mm	✓	✓	✓
2.0C-H5SL-B01-IR	2.0	✓	✓	3.1 - 8.4 mm	✓	✓	✓
3.0C-H5SL-B01-IR	3.0	✓	✓	3.1 - 8.4 mm	✓	✓	✓
3.0C-H5SL-B02-IR	3.0	✓	✓	9.5 - 31 mm	✓	✓	✓
5.0C-H5SL-B01-IR	5.0	✓	✓	3.1 - 8.4 mm	✓	✓	✓
5.0C-H5SL-B02-IR	5.0	✓	✓	9.5 - 31 mm	✓	✓	✓

H4-B0-JBOX1	Junction box for H5SL, H4SL, and H4 HD bullet cameras
H4-MT-POLE1	Aluminum pole mounting bracket, compatible with H4-B0-JBOX1.
H4-MT-CRNR1	Aluminum corner mounting bracket, compatible with H4-B0-JBOX1.
H4-AC-WIFI2-NA / H4-AC-WIFI2-EU	USB Wi-Fi adapter

ORDERING INFORMATION

DOME

The variety of mounting options for the H5SL dome camera provides maximum flexibility. All the available camera modules can be used in any of the mounting options.

MOUNTING SCENARIO		ORDERING INFORMATION
SURFACE MOUNT		Order one of: <ul style="list-style-type: none"> • Camera
IN-CEILING MOUNT		Order one of: <ul style="list-style-type: none"> • Camera • H4SL-MT-DCIL1 • Optional, H4-DC-CPNL1 if ceiling panel needed
PENDANT NPT MOUNT		Order one of: <ul style="list-style-type: none"> • Camera • H4SL-MT-NPTA1
PENDANT WALL MOUNT		Order one of: <ul style="list-style-type: none"> • Camera • H4SL-MT-NPTA1 • CM-MT-WALL1 • Optional, H4-MT-POLE1 or H4-MT-CRNR1 if pole or corner mount needed

	MP	WDR	LIGHTCATCHER TECHNOLOGY	LENS	IR	IP66/IP67	HDSM SMARTCODEC
1.3C-H5SL-D1	1.3	✓	✓	3 - 9 mm			✓
1.3C-H5SL-D1-IR	1.3	✓	✓	3 - 9 mm	✓		✓
1.3C-H5SL-D01-IR	1.3	✓	✓	3.1 - 8.4 mm	✓	✓	✓
2.0C-H5SL-D1	2.0	✓	✓	3 - 9 mm			✓
2.0C-H5SL-D1-IR	2.0	✓	✓	3 - 9 mm	✓		✓
2.0C-H5SL-D01-IR	2.0	✓	✓	3.1 - 8.4 mm	✓	✓	✓
3.0C-H5SL-D1	3.0	✓	✓	3 - 9 mm			✓
3.0C-H5SL-D1-IR	3.0	✓	✓	3 - 9 mm	✓		✓
3.0C-H5SL-D01-IR	3.0	✓	✓	3.1 - 8.4 mm	✓	✓	✓
5.0C-H5SL-D1	5.0	✓	✓	3.1 - 8.4 mm			✓
5.0C-H5SL-D1-IR	5.0	✓	✓	3.1 - 8.4 mm	✓		✓
5.0C-H5SL-D01-IR	5.0	✓	✓	3.1 - 8.4 mm	✓	✓	✓
H4SL-MT-DCIL1	In-ceiling mounting adapter for the H5SL and H4SL dome camera						
H4SL-MT-NPTA1	NPT adapter for the H5SL and H4SL dome camera						
CM-MT-WALL1	Pendant wall mount, compatible with H4SL-MT-NPTA1.						
H4-DC-CPNL1	Metal ceiling panel						
H4-MT-POLE1	Aluminum pole mounting bracket, compatible with CM-MT-WALL1.						
H4-MT-CRNR1	Aluminum corner mounting bracket, compatible with CM-MT-WALL1.						
H4-AC-WIFI2-NA / H4-AC-WIFI2-EU	USB Wi-Fi adapter						
H4SL-DD-SMOK1	Replacement outdoor smoke dome cover						
H4SL-DD-CLER1	Replacement outdoor clear dome cover						
H4SL-DI-SMOK1	Replacement indoor smoke dome cover						
H4SL-DI-CLER1	Replacement indoor clear dome cover						
H4SL-D01-BASE	Replacement outdoor surface mount adapter						
H4SL-D1-BASE	Replacement indoor surface mount adapter						

SUPPORT

Learn more and find additional documentation at [avigilon.com](https://www.avigilon.com) or email sales@avigilon.com for specific product support.



Mar 2022 | Rev 10

© 2022, Motorola Solutions, Inc. All rights reserved. MOTOROLA, MOTO, MOTOROLA SOLUTIONS, and the Stylized M Logo are trademarks or registered trademarks of Motorola Trademark Holdings, LLC and are used under license. AVIGILON, the AVIGILON logo, AVIGILON CONTROL CENTER, ACC, HDSM SmartCodec and LIGHTCATCHER are trademarks of Avigilon Corporation. AVIGILON, the AVIGILON logo, AVIGILON CONTROL CENTER, ACC, HDSM SmartCodec and LIGHTCATCHER are trademarks of Avigilon Corporation. The absence of the symbols ™ and ® in proximity to each trademark in this document or at all is not a disclaimer of ownership of the related trademark. All other trademarks are the property of their respective owners.