



Installation Guide

Parapeet and Rooftop Mounts

PPMNT-1001
PPMNT-2001

RFMNT-1001
RFMNT-2001

Copyright

© 2023, Motorola Solutions, Inc. All rights reserved. MOTOROLA, MOTO, MOTOROLA SOLUTIONS, and the Stylized M Logo are trademarks or registered trademarks of Motorola Trademark Holdings, LLC and are used under license. Other names or logos mentioned herein may be the trademarks of their respective owners. The absence of the symbols ™ and ® in proximity to each trademark in this document or at all is not a disclaimer of ownership of the related trademark.

This document has been compiled and published using product descriptions and specifications available at the time of publication. The contents of this document and the specifications of the products discussed herein are subject to change without notice. Motorola Solutions Inc. reserves the right to make any such changes without notice. Neither Motorola Solutions Inc. nor any of its affiliated companies: (1) guarantees the completeness or accuracy of the information contained in this document; or (2) is responsible for your use of, or reliance on, the information. Motorola Solutions Inc. shall not be responsible for any losses or damages (including consequential damages) caused by reliance on the information presented herein.

Motorola Solutions Inc.
motorolasolutions.com

Revision: 1 -

20230104

Table of Contents

Copyright	2
Introduction	4
Preparing to Install a Parapet or Rooftop Mount	5
Important Safeguards and Warnings	5
Installing a Parapet or Rooftop Mount	6
Parapet Wall Mount Outline Dimensions	8
Rooftop Mount Outline Dimensions	9
Specifications	10
For More Information	11

Introduction



Parapet Mount

PPMNT-1001/2001

The PPMNT-1001 and RFMNT-1001 mounts are designed for outdoor use with small-size pendant cameras, and the PPMNT-2001 and RFMNT-2001 are for outdoor use with medium-size pendant cameras. The PPMNT-1001 and PPMNT-2001 models mount to parapets, while the RFMNT-1001 and RFMNT-2001 models mount to rooftops or other smooth horizontal surfaces. All models accommodate pendant cameras that use 1.5-inch NPT pipe.

The PPMNT-2001 and RFMNT-2001 can be used in applications where mounting and height clearances of models PPMNT-1001 and RFMNT-1001 are inadequate. Models PPMNT-2001 and RFMNT-2001 are higher by 9.72 inches (24.69 cm) and the overhang is increased by 14.77 inches (37.52 cm).

The mounts are designed to swivel within available clearance limits, which adds to the flexibility, easy maintenance, and usability of the configuration.

Manufactured from aluminum, the mounts include indexing bolts to secure the arm in position.

Thoroughly familiarize yourself with the information in this manual prior to installation and operation.



Rooftop Mount

RFMNT-1001/2001

Preparing to Install a Parapet or Rooftop Mount

The hardware to install the mount depends on your installation requirements. The mount has pre-drilled holes for use with 3/8-16 type hardware. (This hardware is not included with the mount.) Use as many of the mounting holes as possible. 3/8-16 type fastening hardware is recommended. Multiple fastening positions facilitate mounting flexibility. For models PPMNT-1001 and PPMNT-2001, mount using a minimum of three fasteners on each side of the mounting plate. For models RFMNT-1001 and RFMNT-2001, mount using a minimum of two fasteners on each side of the mounting base. If necessary to prevent damage from water leakage, you should also have sealant (not supplied) to apply around the bolt holes between the mount and mounting surface.

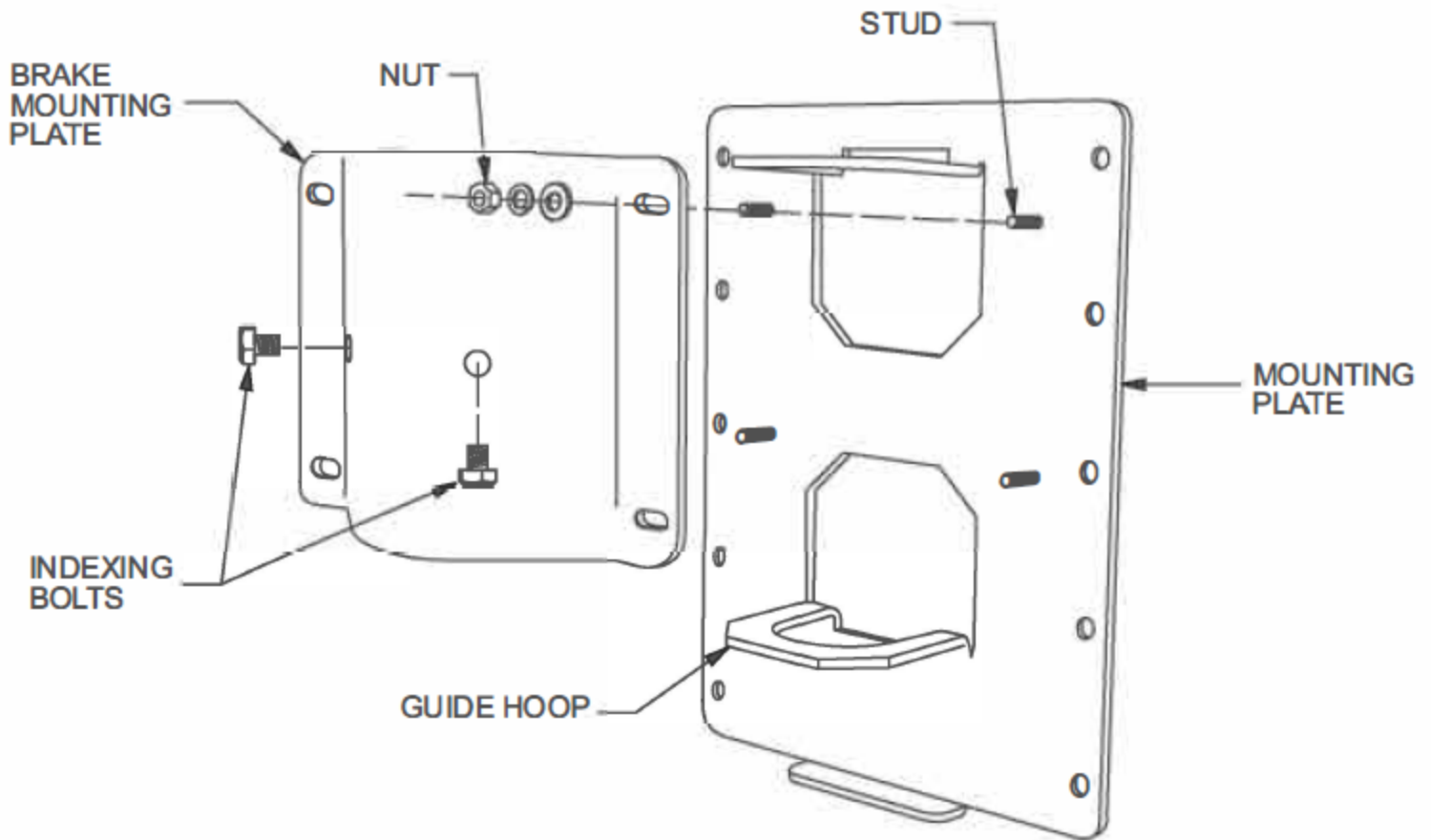
Important Safeguards and Warnings

Prior to installation and use of this product, observe the following warnings:

1. Installation and servicing should only be done by qualified service personnel and conform to all local codes.
2. Installation shall be done in accordance with all local and national electrical and mechanical codes utilizing only approved materials.
3. Use only installation methods and materials capable of supporting four times the maximum specified load.
4. Use stainless steel hardware to fasten the mount to outdoor surfaces.
5. To prevent damage from water leakage when installing a mount outdoors on a roof or wall, apply sealant around the bolt holes between the mount and mounting surface.

Thoroughly familiarize yourself with the information in this manual prior to installation and operation.

Installing a Parapet or Rooftop Mount



1. Loosen the nuts holding the brake mounting plate. Loosen the nuts only enough to pull the arm out of the guide hoops (see Figure 1).
2. Remove the arm.
3. Install the mount

PPMNT-1001/PPMNT-2001

Install the mounting plate to the inside or the outside of the parapet. Use a minimum of three fasteners on each side of the mounting plate. Depending on the type of parapet construction, install the mounting plate as close to the top of the parapet as possible. If the mounting plate is installed two to five inches from the top of the parapet, you can swing the dome back for maintenance as necessary (the dome will clear the top of the parapet). If necessary to prevent water damage, apply sealant around the bolt holes between the mount and mounting surface.

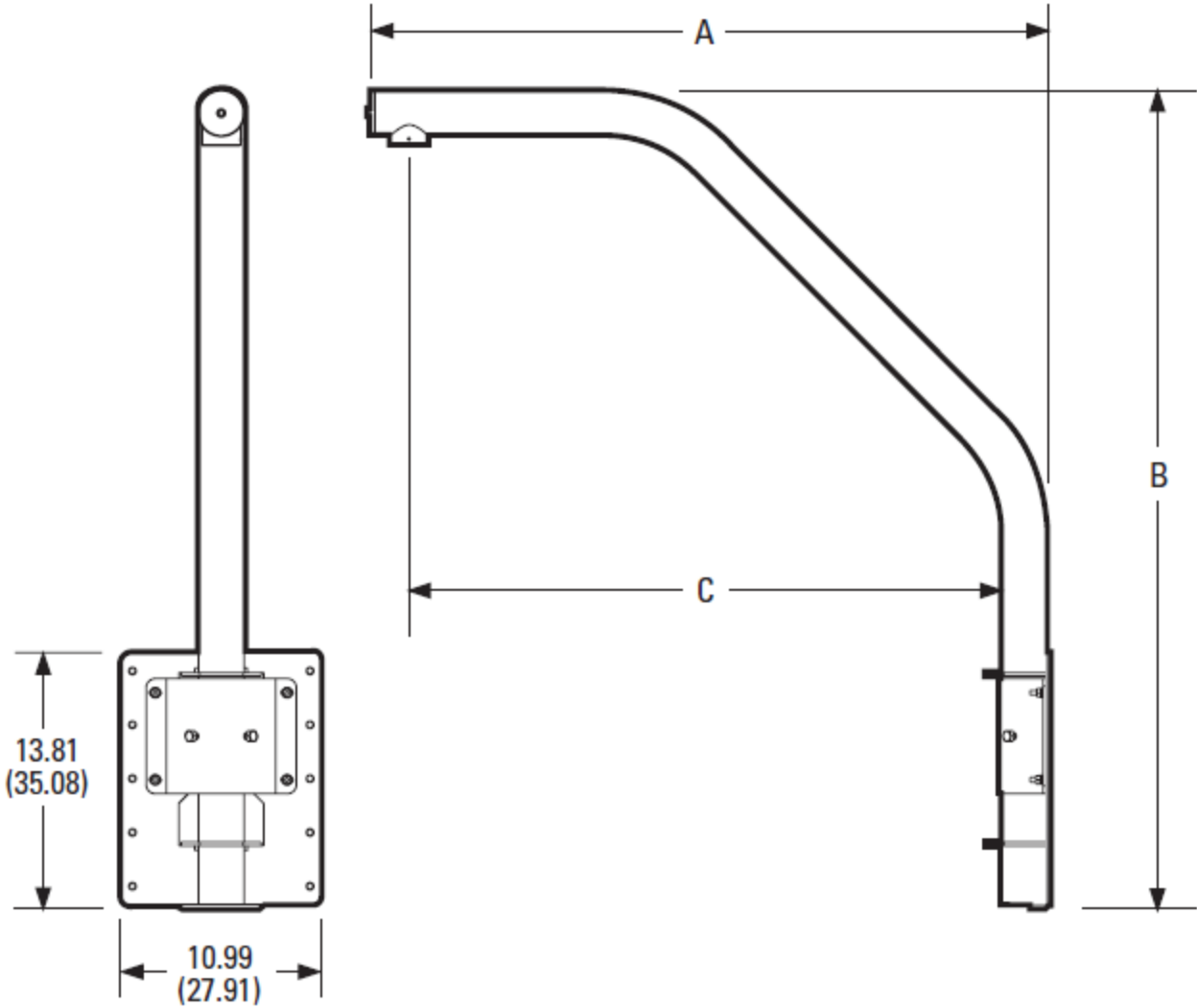
RFMNT-1001/RFMNT-2001

Install the mounting base to the rooftop or other smooth horizontal surface. Use a minimum of two fasteners on each of the four sides of the mounting base (a minimum total of eight fasteners). If necessary to prevent water damage, apply sealant around the bolt holes between the mount and mounting surface.

4. Reinstall the arm; lower the arm through the guide hoops until it stops at the bottom of the mounting plate.
5. Pull the wires through the arm starting from the bottom of the mounting plate; pull the wires out through the threaded opening at the top of the arm.
6. Pull the wires through the dome, and attach the dome to the end of the arm.
7. Make all electrical connections.
8. Move the arm and dome into the desired position.
9. Secure the brake mounting plate against the arm; tighten the nuts on the studs that hold the brake mounting plate in place.
10. To hold the arm in position, tighten the indexing bolts near the center of the brake mounting plate. If desired, drill into the arm through the holes in the brake mounting plate, install the indexing bolts, and tighten.

Important: Do not drill into existing wiring that may be pulled through the arm.

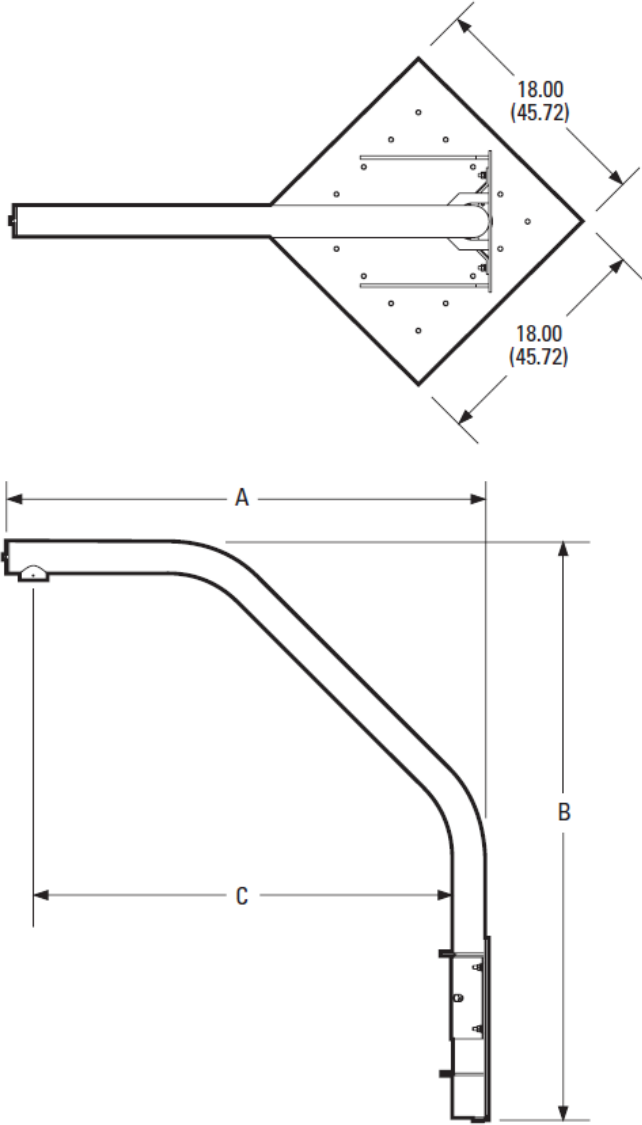
Parapet Wall Mount Outline Dimensions



	A	B	C
PPMNT-1001	25.50 (64.77)	35.08 (89.10)	20.42 (51.87)
PPMNT-2001	37.66 (95.65)	42.00 (106.68)	33.00 (83.82)

Note: Values in parentheses are centimeters; all others are inches.

Rooftop Mount Outline Dimensions



	A	B	C
RFMNT-1001	25.50 (64.77)	35.27 (89.59)	20.42 (51.87)
RFMNT-2001	37.66 (95.65)	42.19 (107.16)	33.00 (83.82)

Note: Values in parentheses are centimeters; all others are inches.

Specifications

MODELS	
PPMNT-1001	Parapet mount for small-size pendant cameras; mounts to inside or outside of parapet.
RFMNT-1001	Rooftop or smooth horizontal surface mount for small-size pendant cameras.
PPMNT-2001	Same as PPMNT-1001 except overhang clearance and height accommodate medium-size pendant cameras.
RFMNT-2001	Same as RFMNT-1001 except overhang clearance and height accommodate medium-size pendant cameras.

Mechanical		
Positioning Adjustment	360°	
Mounting Method	Secure to mounting surface with 3/8-16 type fastening hardware (not supplied). Multiple fastening positions facilitate mounting flexibility.	
	PPMNT-1001/PPMNT-2001	Mount using a minimum of six fasteners
	RFMNT-1001/RFMNT-2001	Mount using a minimum of eight fasteners
Dome Mounting	Dome screws directly into mount	

GENERAL		
Maximum Load	45 lb (20.41 kg) approximate	
Effective Projected Area (EPA)	PPMNT-1001/RFMNT-1001	~133 square inches
	PPMNT-2001/RFMNT-2001	~177 square inches
Construction	Aluminum	
Finish	Powder Coat: RAL 9003	
Environment	Outdoor	
Unit Weight	PPMNT-1001	9.30 lb (4.22 kg)
	RFMNT-1001	20.19 lb (9.16 kg)
	PPMNT-2001	10.38 lb (4.71 kg)
	RFMNT-2001	22.53 lb (10.22 kg)
Shipping Weight	PPMNT-1001	15 lb (6.80 kg)
	RFMNT-1001	33 lb (14.95 kg)
	PPMNT-2001	17 lb (7.70 kg)
	RFMNT-2001	35 lb (15.85 kg)

For More Information

For additional product documentation, visit motorolasolutions.com.

Technical Support

Contact Technical Support at motorolasolutions.com/support.