

# DM-C Motion Detector Ceiling Mounting Bracket

## Before You Begin

Read all instructions before beginning installation. Be sure to read the instructions that came with your motion detector to ensure proper placement.

Note that coverage vs. angle settings as described in your motion detector's instructions may not apply when a bracket is used. It is suggested that the detector circuit board position be set for the nominal 8' adjustment (the factory setting) as noted in the detector instructions. When attached to the DM-C ceiling mounting bracket, the detector can be pointed up or down, left or right by adjusting the mounting bracket's mounting plate.

*After mounting, carefully follow the instructions provided with your motion detector to test the detector to ensure adequate coverage.*

## Mounting the Bracket

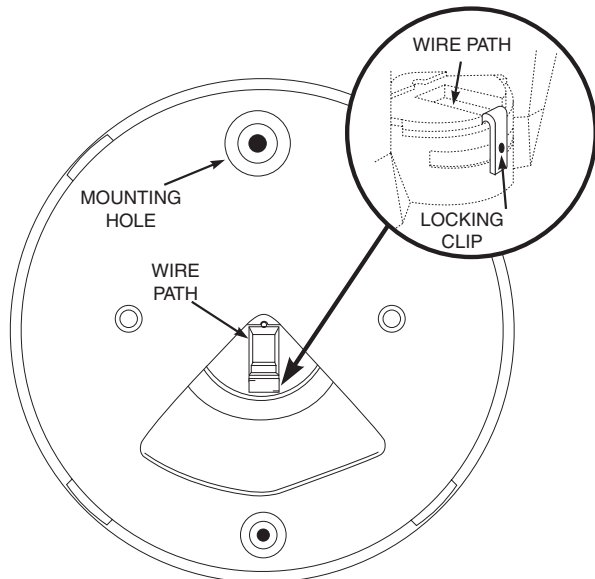
The DM-C ceiling mounting bracket can be mounted on a standard octagonal electrical box or can be secured directly on the ceiling surface. To secure the bracket directly to the ceiling, first place the ceiling bracket at the desired location and mark the location of the two mounting screws. Drill these locations and insert plastic screw anchors into the ceiling.

Create an opening in the ceiling and bring wires through the opening. Prepare the wires for connection to the motion detector. Feed the wires through the wire path opening in the bracket's swivel mechanism as shown in Figures 1 and 2. Be sure to feed enough wire through the bracket so that the wires do not accidentally slip back into the ceiling.

Mount the bracket with the two painted screws provided.

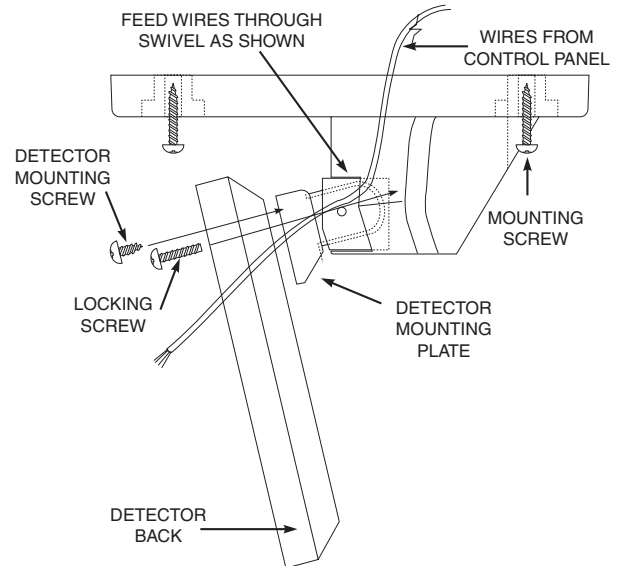
Rotate and tilt the backplate to the desired position and tighten the locking screw. You may wish to leave the locking screw somewhat loose to allow adjustment of the backplate during testing of the detector. When all the tests have been completed and the results are satisfactory, remove the motion detector from the backplate and completely tighten the locking screw. The backplate should not move when the locking screw is completely tightened.

**Figure 1**



**Ceiling Mounting Bracket - Top View**

**Figure 2**



**Ceiling Mounting Bracket - Side View**

Referring to the instructions included with your motion detector, remove the back of the detector. Remove the upper wiring knockout and the screw knockouts corresponding to the mounting holes on the backplate.

Pull the wires through the wiring knockout in the motion detector's back and secure the back to the backplate. It is recommended that initial testing be done with only one screw holding the detector to the backplate. With only the upper left or right screw installed, the detector may be easily rotated to provide access to the locking screw. When testing is complete, tighten the locking screw and secure the detector back to the backplate with the remaining screw.

Connect the wires to the detector following the instructions provided with your motion detector. When wiring is complete, reassemble the motion detector.

Thoroughly test coverage of the detector, carefully following the instructions provided with the detector. Reposition the detector by rotating and tilting the backplate.

