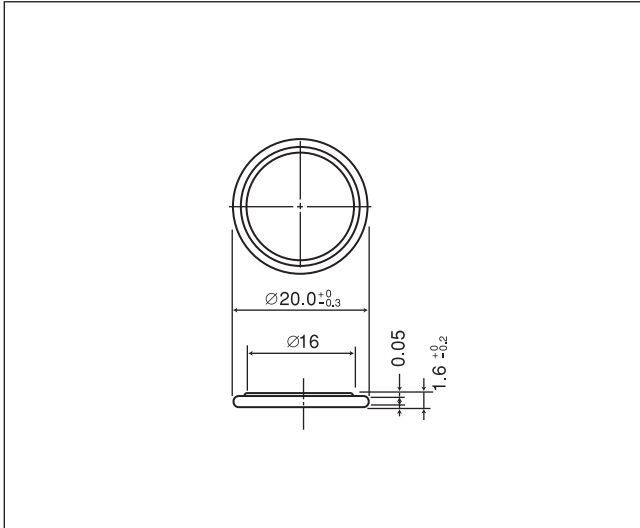


CR2016

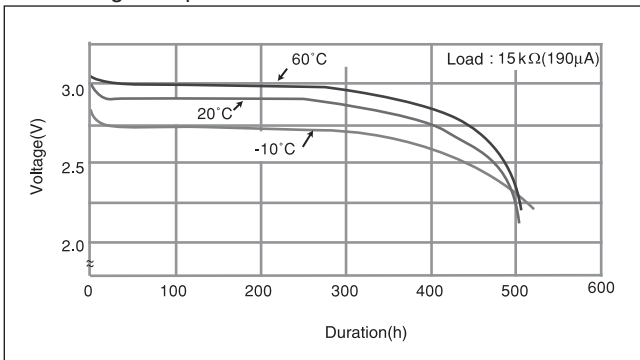
■ Dimensions(mm)



■ Specification

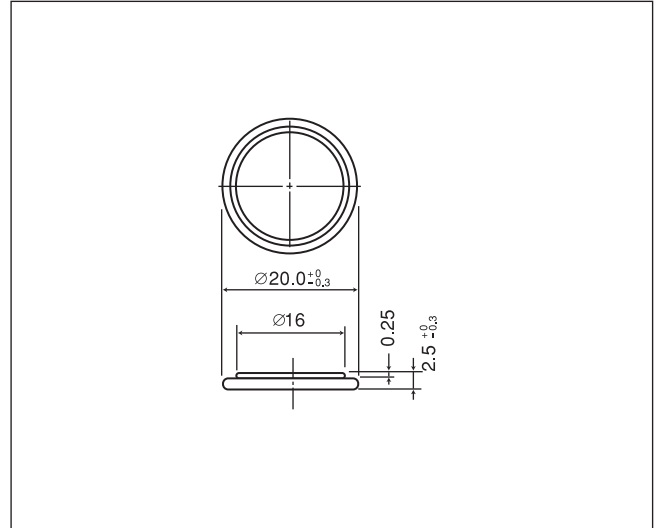
Nominal voltage(V)	3
Nominal capacity(mAh)	90
Continuous drain(mA)	0.1
Operating temperature(°C)	-30 to +60

■ Discharge temperature characteristics



CR2025

■ Dimensions(mm)



■ Specification

Nominal voltage(V)	3
Nominal capacity(mAh)	165
Continuous drain(mA)	0.2
Operating temperature(°C)	-30 to +60

■ Discharge temperature characteristics

