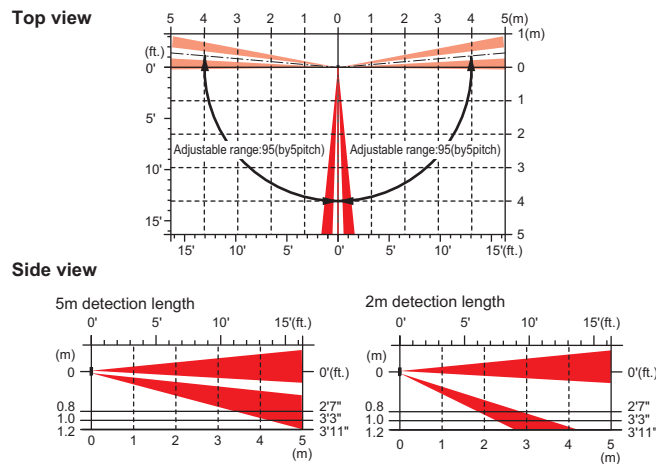


## SPECIFICATIONS

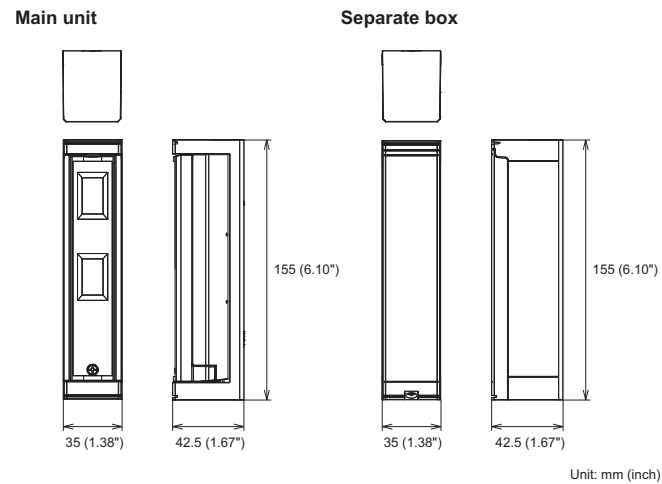
Model	FTN-ST	FTN-AM	FTN-R	FTN-RAM
Detection method		Passive infrared		
PIR coverage		5×1m (16'5"×3'3")		
Detection length limit		2 m, 5 m (6'7", 16'5")		
Detectable speed		0.3 - 1.5 m/s (1' - 4'11"/s)		
Sensitivity		2.0C (at 0.6 m/s) (3.6F (at 2'/s))		
Operation voltage	9.5 - 18 V DC		2.5 - 10 V DC	
Power input			3 - 9 V DC (Lithium or Alkaline Battery)	
Current draw	17mA(max.) (at 12 V DC)	20mA(max.) (at 12 V DC)	9 μA (at stand-by) / 3mA(max.) (at 3 V DC)	10 μA (at stand-by) / 3mA(max.) (at 3 V DC)
Alarm period		2.0 1.0sec.		
Warm-up period		Approx. 60 sec. (LED blinks)	Approx. 120 sec. (LED blinks)	
Alarm output		N.C./N.O. Selectable 28 V DC 0.1 A (max.)	N.C./N.O. Selectable-Solid State Switch 10 V DC 0.01 A(max.)	
Trouble output		N.C. 28 V DC 0.1 A (max.), open when the cover is removed.	N.C./N.O. Selectable-Solid State Switch 10 V DC 0.01 A(max.)	
LED indicator	Light/Blink: Warm-up, alarm, masking detection (FTN-AM only)		Enable: During DIP switch 1 (WALK TEST MODE) or DIP switch 4 (LED) ON Disable: During normal operation	Light/Blink: Warm-up, alarm, masking detection (FTN-RAM only)
Operation temperature		-20 - +60C (-4 - +140F)		
Environment humidity		95% max.		
Weatherproof		IP55		
Mounting		Wall (Outdoor, Indoor)		
Mounting height		0.8 - 1.2 m (2'7" - 3'11")		
Weight	100 g (3.5 oz.)		190 g (6.7 oz.)	
Accessories	screw (3×20 mm)×2		Connector for POWER and ALARM, connector for TROUBLE, plate nut×2, screw (M3×10 mm)×2, screw (3×20 mm)×4, sponge for transmitter	

\*Specifications and design are subject to change without prior notice.

## COVERAGES



## DIMENSIONS



## OPTIONS

**Wall tamper (WRS-02)**  
for FTN-ST/AM

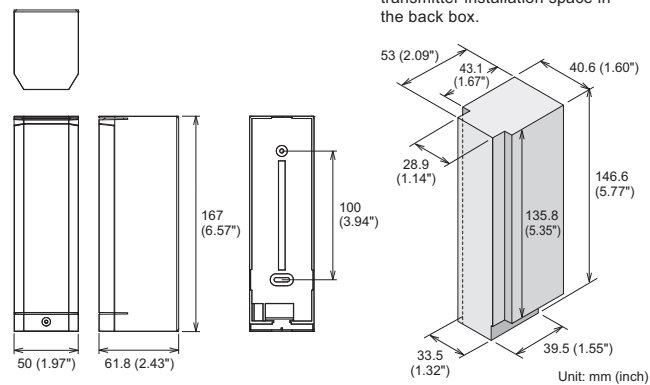


**Wall tamper (WRS-03)**  
for FTN-R/RAM



**FTN-R/RAM BIG BACK BOX (FTN-R/RAM BBB)**

DIMENSIONS



COMPACT  
OUTDOOR  
DETECTOR

fit  
series



fit for ALL

not only for a garden but also for a balcony  
not only for a wall side but also an area protection  
not only for a daytime but also for a nighttime



Introducing No.1  
OPTEX advantage.



OPTEX CO., LTD. (ISO 9001 Certified / ISO14001 Certified)  
5-8-12 Ogoto, Otsu, Shiga, 520-0101 Japan  
TEL +81(0)77 579 8670 FAX +81(0)77 579 8190

OPTEX INCORPORATED (USA) <http://www.optexamerica.com/>  
OPTEX (EUROPE) LTD. (UK) <http://www.optex-europe.com/>  
(ISO9001 Certified)

OPTEX SECURITY SAS (FRANCE) <http://www.optex-security.com/>  
OPTEX KOREA CO., LTD. (KOREA) <http://www.optexkorea.com/>  
OPTEX SECURITY Sp. z o.o. (POLAND) <http://www.optex.com.pl/>  
OPTEX (DONGGUAN) CO., LTD. <http://www.optexchina.com/>  
SHANGHAI OFFICE (CHINA)

No. 75119-01-15747-1208