

12MP Sensor Indoor 360-degree Fisheye Network Camera

Panasonic WV-X4173 captures the highest quality images in even very challenging and dynamic environments.

In particular, the image of the person's face or object at the edge of the fisheye is clear with less distortion.

Intelligent Auto (iA) monitors scene dynamics and motion to adjust key camera settings automatically in real-time reducing distortion such as motion blur on moving objects. Adopting H.265 Smart Coding technology, bandwidth efficiency is intelligently increased for longer recording and less storage. Cameras out-of-the-box, use an encryption module standardized by FIPS Publication 140-2 for secure video streaming.

Extreme image quality for evidence capturing under challenging conditions

- Clear and less distorted image of the person's face and objects at the edge of the fisheye
- Instant response to sudden light changes like tunnel entry and exit
- Auto Shutter speed control for fast moving objects

Extreme bandwidth compression with new Panasonic H.265 Smart Coding

- Longer recording and less storage space compared to any H.264 based compression techniques
- New self-learning ROI* encoding (Auto VIQS) dynamically detects motion areas to keep vehicles and humans in good picture quality while lowering your bandwidth *Region of Interest

Extreme Data Security

- Full encryption SD card edge recording to keep your data safe
- FIPS140-2 CAVP compliant *Using encryption module standardized by FIPS publication 140-2
- Full end-to-end system encryption with supported VMS and devices to protect from IP snooping/spoofing and detect data alteration

Complete with powerful analytics built-in

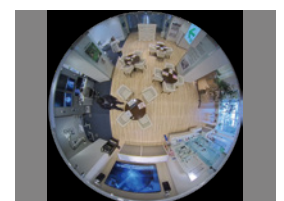
- Heat map : Visualization of people's traffic pattern and staying times
- People Counting : Statistics data on the number of people entering and leaving a specific zone
- MOR (Moving Object Remover) : Monitoring of only the surrounding environment by removing people and other moving objects from video

Key Features

- 12MP Sensor
- 2992x2992 pixel fisheye image up to 30fps
- iA (intelligent Auto)
- H.265 Smart Coding
- i-VMD License Bundled
- Onvif Profile G / S / T

Industry examples

- Transportation (Airport / Subway station)
- Logistics / Factory
- Education / Hospital
- Retail / Bank
- Building



2992 x 2992
4000 x 3000

Specifications

Camera	Image Sensor	Approx. 1/2 type 12MP CMOS image sensor
	Minimum Illumination	Color : 0.3 lx, BW : 0.2 lx (F1.9, Maximum shutter : Off (1/30 s), AGC : 11) Color : 0.02 lx, BW : 0.01 lx (F1.9, Maximum shutter : max. 16/30s, AGC : 11) ^{*1}
	Intelligent Auto	On / Off
	Maximum shutter	Max. 16/30s to Max. 1/10000s
	Wide Dynamic Range ^{*2}	On / Off, The level can be set in the range of 0 to 31.
	Dynamic Range	Max. 84 dB (Wide Dynamic Range : On, Level: 31)
	Image Settings	Gain (AGC), White balance
	Image Compensation	Adaptive black stretch, Back light compensation (BLC), Fog compensation, High light compensation (HLC), Digital noise reduction
	Day / Night (Electrical)	Off / Auto
	Video Motion Detection (VMD)	On / Off, 4 areas available
	Intelligent VMD (i-VMD) ^{*3}	Type 8 *Bundled License
	Privacy Zone	On / Off, Up to 8 zones available
	Camera Title (OSD)	On / Off, Up to 20 characters (alphanumeric characters, marks)
	Fixing angle adjustment	-5°, 0°, +5°
Lens	Zoom Ratio	1x
	Digital (electronic) zoom	Choose from 3 levels of x1, x2, x4
	Focal length	1.4 mm (1/16 inches)
	Maximum Aperture Ratio	1 : 1.9
	Focus range	0.5 m (19-11/16 inches) - ∞
	Angular Field of view	Horizontal : 183° Vertical : 183°
DORI	Distance to the object in the center of the image	Detect (25 ppm / 8 ppf) : 29.9 m / 98.2 ft Observe (62.5 ppm / 19 ppf) : 12.0 m / 39.3 ft Recognize (125 ppm / 38 ppf) : 6.0 m / 19.6 ft Identify (250 ppm / 76 ppf) : 3.0 m / 9.8 ft
	Coverage radius when mounted at a height of 3 m (10 ft)	Detect (25 ppm / 8 ppf) : 56.1 m / 184.2 ft Observe (62.5 ppm / 19 ppf) : 20.6 m / 67.6 ft Recognize (125 ppm / 38 ppf) : 8.4 m / 27.6 ft Identify (250 ppm / 76 ppf) : 0.3 m / 0.9 ft
	Camera Control	Brightness, AUX On / Off
	Audio	Mic (Line) Input : On / Off Volume adjustment : Low / Middle / High Audio Output : On / Off Volume adjustment : Low / Middle / High
Browser GUI	GUI / Setup Menu Language	English, Italian, French, German, Spanish, Portuguese, Russian, Chinese, Japanese
	Network IF	10Base-T / 100Base-TX, RJ45 connector
Network	Resolution	<Ceiling> <Wall>
		<ul style="list-style-type: none"> •Fisheye mode (max. 30 fps/25 fps) 2992×2992 / 2192×2192 / 1280×1280 / 640×640 / 320×320 •Quad PTZ mode (max. 15 fps/12.5 fps) 2560×1920⁴ / 2048×1536 / 1600×1200 / 1280×960 / 800×600 / VGA / QVGA •Double Panorama mode (max. 15 fps/12.5 fps) 2560×1440 / 1920×1080 / 1280×720 / 640×360 / 320×180 •Fisheye + Double Panorama mode (max. 15 fps/12.5 fps) (Fisheye) 2992×2992 / 2192×2192 / 1280×1280 / 640×640 / 320×320 (Double Panorama) 1280×720 / 640×360 / 320×180 •Fisheye + Quad PTZ mode (max. 15 fps/12.5 fps) (Fisheye) 2992×2992 / 2192×2192 / 1280×1280 / 640×640 / 320×320 (Quad PTZ) 1280×960 / 800×600 / VGA / QVGA •Quad streams mode (Single PTZ (Quad streams)) 1280×960 / 800×600 / VGA / QVGA (max. 15 fps/12.5 fps) (Quad PTZ) 2560×1920 / 2048×1536 / 1600×1200 / 1280×960 / 800×600 / VGA / QVGA (max. 5 fps)
		<ul style="list-style-type: none"> •Panorama mode (max. 15 fps/12.5 fps) 2560×1440 / 1920×1080 / 1280×720 / 640×360 / 320×180 •Fisheye + Panorama mode (max. 15 fps/12.5 fps) (Fisheye) 2992×2992 / 2192×2192 / 1280×1280 / 640×640 / 320×320 (Panorama) 1280×720 / 640×360 / 320×180

Network	H.265/ H.264 ^{*5}	Transmission Mode	Constant bit rate / VBR / Frame rate / Best effort
	JPEG	Transmission Type	Unicast port (AUTO)/ Unicast port (MANUAL)/ Multicast
	Smart Coding	Image Quality	10 steps
	Audio Compression	GOP (Group of pictures) control	On (Frame rate control) / On (Advanced) / On (Mid) / On (Low) / Off *On (Frame rate control) and On (Advanced) are only available with H.265. Auto VIQS : On / Off
	Supported Protocol	Audio Compression	G.726 (ADPCM) : 16 kbps / 32 kbps G.711 : 64 kbps AAC-LC ^{*6} : 64 kbps / 96 kbps / 128 kbps
	Maximum concurrent access number	Supported Protocol	IPv6 : TCP/IP, UDP/IP, HTTP, HTTPS, SMTP, DNS, NTP, SNMP, DHCPv6, RTP, MLD, ICMP, ARP, IEEE 802.1X, DiffServ IPv4 : TCP/IP, UDP/IP, HTTP, HTTPS, RTSP, RTP, RTP/RTCP, SMTP, DHCP, DNS, DDNS, NTP, SNMP, UPnP, IGMP, ICMP, ARP, IEEE 802.1X, DiffServ
	SDXC/SDHC/SD Memory Card (Option)	Maximum concurrent access number	Up to 14 users (Depends on network conditions)
	Mobile Terminal Compatibility	SDXC/SDHC/SD Memory Card (Option)	H.265 / H.264 recording : Manual REC / Alarm REC (Pre/Post) / Schedule REC JPEG recording : Manual REC / Alarm REC (Pre/Post) Compatible SDXC/SDHC/SD card : Panasonic 2 GB, 4 GB*, 8 GB*, 16 GB*, 32 GB*, 64 GB**, 128 GB**, 256 GB** model *SDHC card, ** SDXC card (except miniSD card and microSD card)
	ONVIF Profile	Mobile Terminal Compatibility	iPad, iPhone, Android™ terminals
	Alarm	Alarm Source	ONVIF Profile
Alarm Actions		Alarm Source	3 terminals input, VMD, Command alarm
Input/ Output	Monitor output (for adjustment)	Alarm Actions	SDXC/SDHC/SD memory recording, E-mail notification, HTTP alarm notification, Indication on browser, Panasonic alarm protocol output
	Audio Input For microphone	Monitor output (for adjustment)	VBS : 1.0 V [p-p] / 75 Ω, composite, ø3.5 mm mini jack An NTSC or PAL signal can be outputted from camera
	For line	Audio Input For microphone	ø3.5 mm stereo mini jack, Recommended applicable microphone : Plug-in power type (Sensitivity of microphone : -48 dB ±3 dB (0 dB=1 V / Pa, 1 kHz)) Input impedance : Approx. 2 kΩ (unbalanced) Supply voltage : 2.5 V ±0.5 V Input level : Approx. -10 dBV
	Built-in microphone	For line	Input level : Approx. -10 dBV
General	Audio Output ^{*7}	Built-in microphone	Nondirectional electret condenser microphone
	External I/O Terminals	Audio Output ^{*7}	ø3.5 mm stereo mini jack (monaural output) Output impedance : Approx. 600 Ω (unbalanced) Output level : -20 dBV
	Safety	External I/O Terminals	ALARM IN1 (Alarm input 1/ Auto time adjustment input) (x1) ALARM IN2 (Alarm input 2/ ALARM OUT) (x1) ALARM IN3 (Alarm input 3/ AUX OUT) (x1)
EMC	Safety	UL (UL60950-1), c-UL (CSA C22.2 No.60950-1), CE, IEC60950-1	
Power Source and Power Consumption	EMC	FCC (Part15 ClassA), ICES003 ClassA, EN55032 ClassB, EN55024, EN55035	
Ambient Operating Temperature	Power Source and Power Consumption	DC power supply : DC 12 V 560 mA/Approx. 6.7 W PoE (IEEE802.3af compliant) Device : DC 48 V 150 mA/Approx. 7.2 W (Class 0 device)	
Ambient Operating Humidity	Ambient Operating Temperature	-10 °C to +50 °C (14 °F to 122 °F)	
Dimensions	Ambient Operating Humidity	10% to 90 % (no condensation)	
Mass (approx.)	Dimensions	ø150 mm × 49.5 mm (H) (ø5-29/32 inches × 1-15/16 inches (H))	
Finish	Mass (approx.)	Approx. 420 g (0.93 lbs)	
	Finish	Main body : ABS resin, i-PRO white	

*1 Converted value

*2 When "On (level 30 or 31)" is selected for "Wide Dynamic Range(WDR)", the frame rate is restricted to a maximum of 15fps (30fps mode) or 12.5fps (25fps mode).

*3 Auto VIQS, i-VMD, can not be used at the same time.

*4 When "Single PTZ" mode is used in wall installations, the 2560×1920 resolution cannot be used.

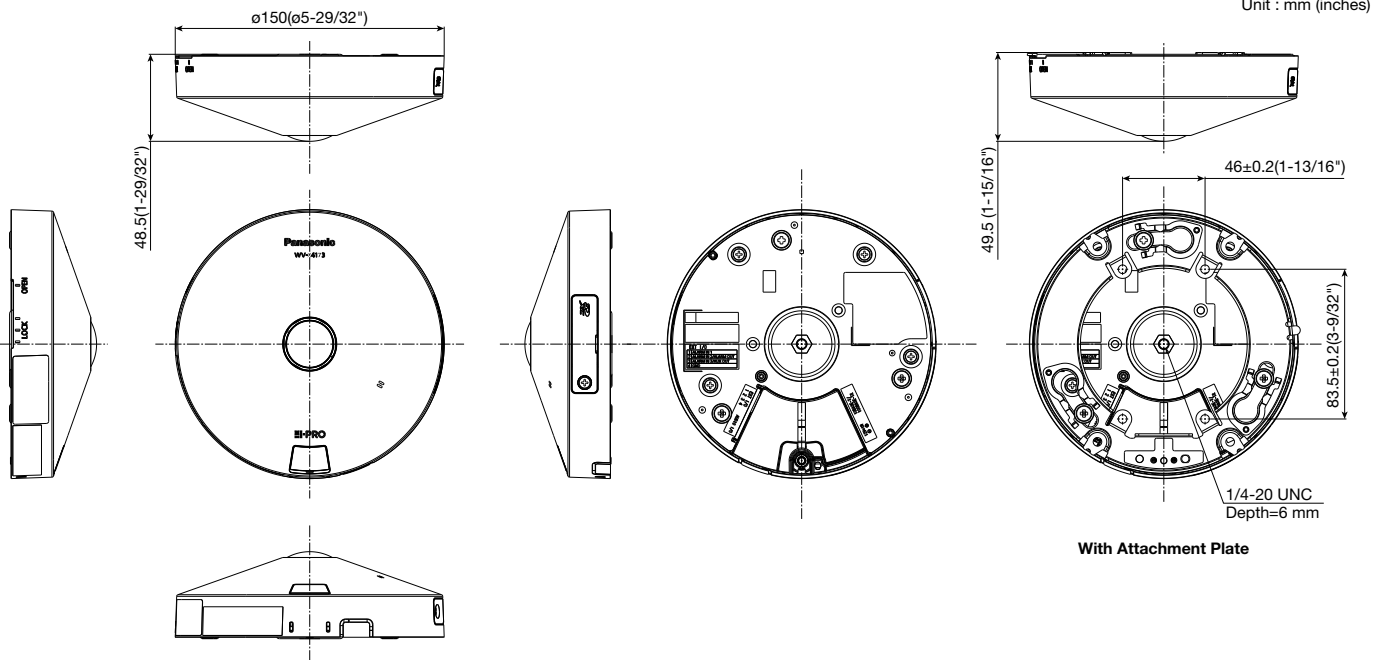
*5 Transmission for 2 streams can be individually set.

*6 When recording audio on an SD memory card, only use AAC-LC (Advanced Audio Coding - Low Complexity).

*7 The audio output can be switched to the monitor output.

Refer to the Operating Instructions on the our support web site for descriptions of how to switch the output.

Appearance

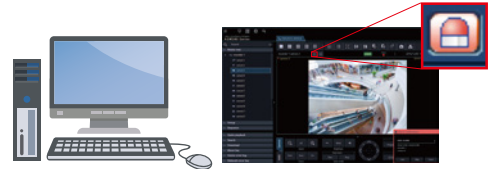


Bundled License

Plug-in Software for i-VMD

i-VMD is possible to detect objects in the specified area by advanced video analysis technology.

i-VMD : People Counting, Heat-map, MOR (Moving Object Remover), Intruder Detection, Loitering Detection, Cross line Detection, Object Detection, Scene change Detection



Notification sent to the monitoring screen

Optional Accessories

Mount Bracket / Other

Ceiling Mount Bracket
WV-Q105A



Wall Mount Bracket
WV-QWL500-W
(i-PRO white)



Adapter Box
WV-QJB500-W
(i-PRO white)



(This bracket requires WV-QWL500-W.)

Pole Mount Bracket
WV-QPL500-W
(i-PRO white)



(This bracket requires WV-QWL500-W.)

Corner Mount Bracket
WV-QCN500-W
(i-PRO white)



(This bracket requires WV-QWL500-W.)

• Brackets are available in four colors, Fine silver, Light gray, Gray and i-PRO white. It is possible to use them in different color combinations.

Trademarks and registered trademarks

- iPad and iPhone are trademarks of Apple Inc., registered in the U.S. and other countries.
- Android is a trademark of Google LLC.
- ONVIF is trademarks or registered trademarks of Onvif Inc.
- All other trademarks identified herein are the property of their respective owners.

Important

- Safety Precautions : Carefully read the Basic Information, Installation Guide and Operating Instructions before using this product.
- Panasonic cannot be held responsible for the performance of the network and/or other manufacturers' products used on the network.

• Masses and dimensions are approximate. • Specifications are subject to change without notice.

Panasonic®

Panasonic Corporation

Panasonic i-PRO Sensing Solutions Co., Ltd.

<https://ipro.panasonic.com>

<https://security.panasonic.com>

<https://www.linkedin.com/company/i-pro-sensing-solutions-co-ltd/>

(2A-268BA)