

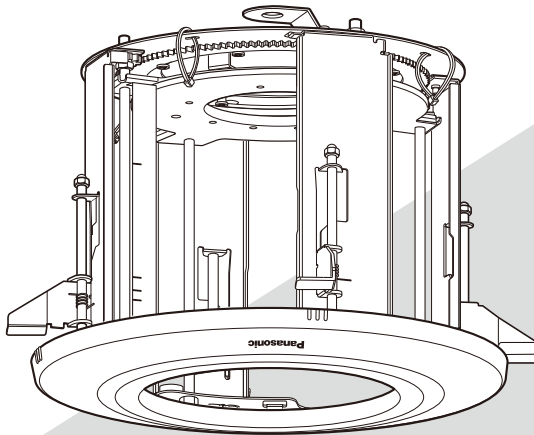
Panasonic®

Operating Instructions

Included Installation Instructions

Ceiling Mount Bracket

Model No. **WV-Q126A**



ENGLISH

DEUTSCH

FRANÇAIS

ESPAÑOL

ITALIANO

РУССКИЙ

Before attempting to connect or operate this product,
please read these instructions carefully and save this manual for future use.

The model number is abbreviated in some descriptions in this manual.

Contents

- Features..... 3
- Precautions 3
- Precautions for installation 4
- Major Operating Controls 6
- Installations 7
- Specifications 15
- Standard accessories..... 15

Features

This ceiling mount bracket is exclusively designed to mount the Camera, on a ceiling. Refer to the catalog or operating instructions of the camera for further information about the compatible models.

This bracket can be used for an area with weak pull-out strength such as plasterboard in a double ceiling.

This bracket is an embedded type to reduce the exposed portion of the camera body.

Precautions

Refer installation work to the dealer.

Installation work requires technique and experiences.

Failure to observe this may cause fire, electric shock, injury, or damage to the product.

Be sure to consult the dealer.

Avoid installing this bracket in the locations where salt damage occurs or corrosive gas is produced.

Otherwise, the mounting portions will deteriorate and accidents such as a fall of this product may occur.

The screws and bolts must be tightened to the specified torque.

Loosening of mounting screws or bolts may cause a fall of the product resulting in injury or accidents.

Do not use this bracket except with suitable cameras

Failure to observe this may cause a drop resulting in injury.

Select an installation area that can support the total weight.

Selecting an inappropriate installation surface may cause this product to fall down or topple over, resulting in injury or accidents.

Installation work shall be started after sufficient reinforcement.

Do not rub the edges of metal parts with your hand.

Strong rubbing may cause injury.

Periodic inspections shall be conducted.

Rust on the metal parts or screws may cause a fall of the product resulting in injury or accidents.

Consult the dealer for the inspections.

The measures of protection against a fall of this product shall be taken.

Failure to observe this may cause a drop resulting in injury or accidents.

Be sure to install the safety wire.

The exclusively designed mount bracket shall be used.

Failure to observe this may cause a drop resulting in injury or accidents.

Use the exclusively designed mount bracket for installation.

Do not install this product in locations subject to vibration.

Loosening of mounting screws or bolts may cause a fall of the product resulting in injury or accidents.

Do not strike or give a strong shock to this product.

Failure to observe this may cause fire or injury.

Install this product in a location high enough to avoid people and objects from bumping the product.

Failure to observe this may cause injury.

Do not hang down from this product or use this product as a pedestal.

Failure to observe this may cause a drop resulting in accidents.

Precautions for installation

Panasonic assumes no responsibility for injuries or property damage resulting from failures arising out of improper installation or operation inconsistent with this documentation.

The installation should comply with local electrical code.

This product is designed to be used indoors.

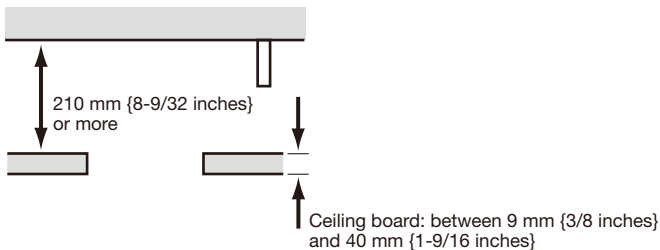
This product is not operable outdoors.

Do not expose this product to direct sunlight for hours and do not install the product near a heater or an air conditioner.

Otherwise, it may cause deformation, discoloration and malfunction. Keep this product away from water and moisture.

Installation area for this product

- Make sure that the installation area is strong enough to hold the total weight of the camera assembly before installation.
- The installation area shall have 210 mm {8-9/32 inches} or more space behind the ceiling.



- The thickness of the ceiling board for installation can range between 9 mm {3/8 inches} and 40 mm {1-9/16 inches}.

Do not place this product in the following places:

- Locations where it may get wet from rain or water splash (including under the eaves, etc.)
- Locations where a chemical agent is used such as a swimming pool
- Locations subject to moisture or oil smoke such as a kitchen
- Locations that have a specific environment that is subject to an inflammable atmosphere or solvents
- Locations where a radiation, an X-ray, a strong radio wave or a strong magnetic field is generated
- Locations where corrosive gas is produced, locations where it may be damaged by briny air such as seashores
- Locations where the temperature is not within the specified range (–10 °C to +55 °C {14 °F to 131 °F})
- Locations subject to vibrations, such as on vehicles, marine vessels, or above product lines (This product is not designed for onvehicle use.)
- Locations subject to condensation as the result of severe changes in temperature

Mounting method for this product

This product is designed to be used as a pendant mount camera. If the product is mounted on a desktop or at a slant, it may not work correctly and its lifetime may be shortened.

Procure anchor bolts separately.

An anchor bolt for mounting the bracket on a ceiling is not supplied with the ceiling mount bracket. Prepare them according to the material and strength of the area where the product is to be installed.

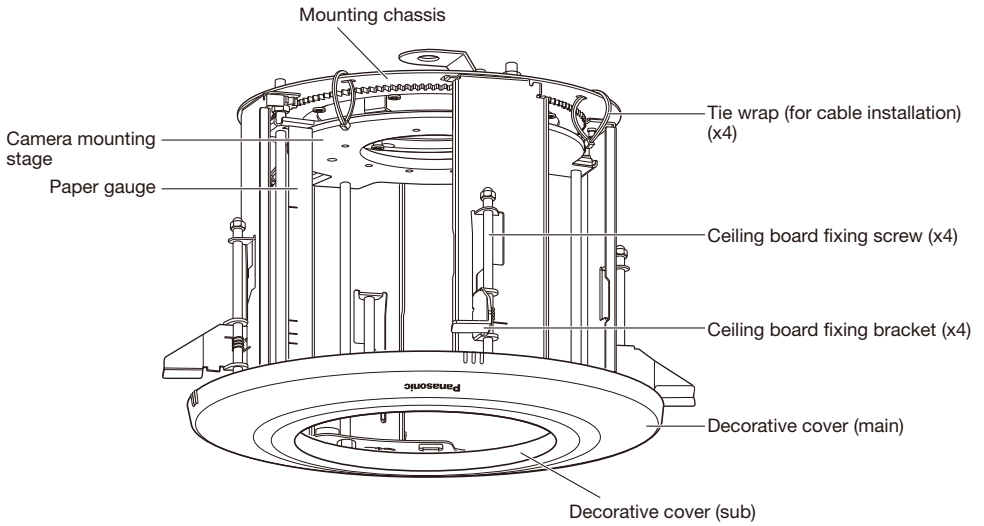
- Anchor bolt: M10, recommended
- Minimum pull-out strength: Make sure that more than 5 times of the total weight including the camera body can be supported.

Screw tightening

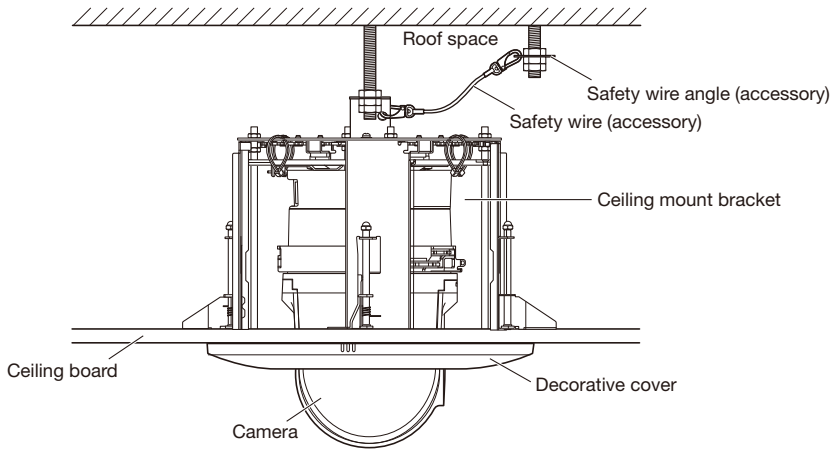
- The screws and bolts must be tightened with an appropriate tightening torque according to the material and strength of the installation area.
- Do not use an impact driver. Use of an impact driver may damage the screws or cause tightening excessively.
- When a screw is tightened, make the screw at a right angle to the surface. After tightening the screws or bolts, perform checks to ensure that the tightening is sufficient enough so that there is no movement or looseness.

Make sure to remove this product if it will no longer be used.

Major Operating Controls



<Installation sample>

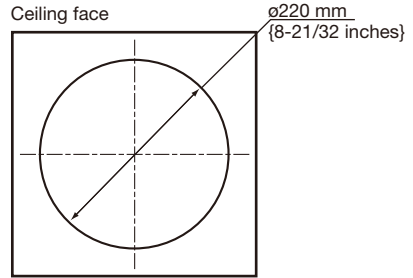


Installations

Be sure to read "Precautions" (☞ page 3) and "Precautions for installation" (☞ page 4) before installation. Read the operating instructions for the camera to be installed as well.

Step 1

Put Template A (accessory) against the ceiling and make the $\varnothing 220$ mm {8-21/32 inches} hole.



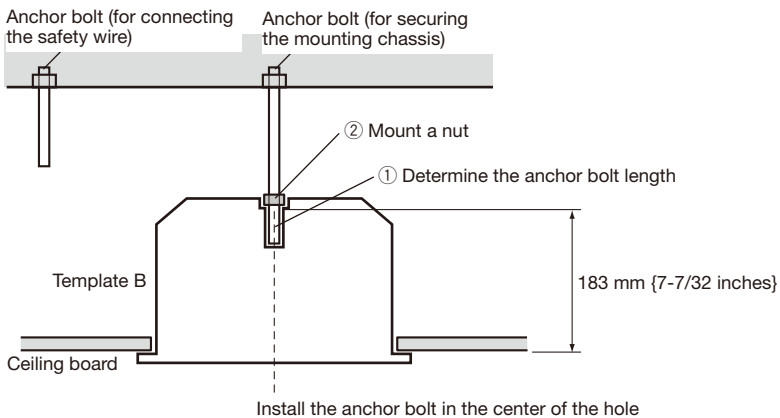
Template A

Step 2

Install two anchor bolts (M10 recommended) into the ceiling.

One anchor is used for securing the mounting chassis, and the other anchor is used for connecting the safety wire.

- ① Determine the anchor bolt (for securing the mounting chassis) length by use of Template B (accessory).
- ② Position the nut by use of Template B (accessory) and mount the nut. (The distance between the bottom surfaces of the ceiling board and nut shall be 183 mm {7-7/32 inches}.)



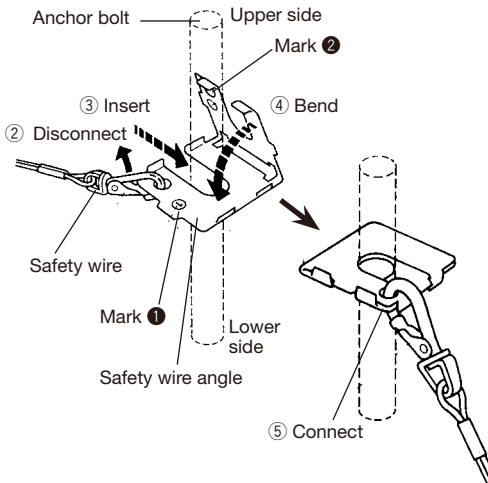
Important:

- The pull-out strength of the anchor bolt shall be more than 5 times of the total weight of the installed devices (including the camera body, ceiling mount bracket, anchor bolts, and all other parts).
- When the existing anchor bolt is used as an anchor bolt for connecting the safety wire, make sure that the distance between the anchor bolt and camera mounting position is 1 m {3.28 feet} or less.

Step 3

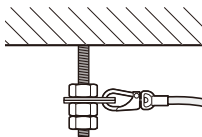
Secure the safety wire angle (accessory) to the anchor bolt (for connecting the safety wire), and connect the safety wire (accessory).

- ① Mount a nut so that the safety wire angle is secured on the anchor bolt.
- ② Disconnect the safety wire from the safety wire angle.
- ③ Engage the face marked ❶ with the anchor bolt.
- ④ Bend the face marked ❷.
- ⑤ Connect the safety wire to the safety wire angle again.
- ⑥ Engage the nut from beneath, and secure the safety wire angle with top and bottom nuts.
- ⑦ Engage another nut from beneath to tighten and secure the nut that was engaged from beneath in ⑥ in a double nut fashion.



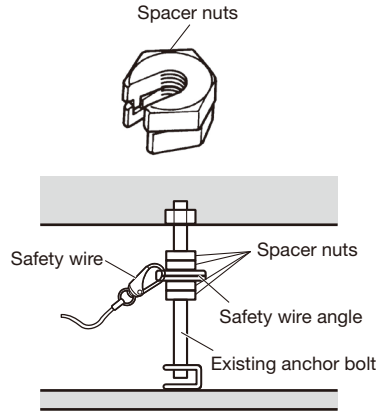
* The nut is omitted in the illustration above.

<Image of safety wire connection>



Note:

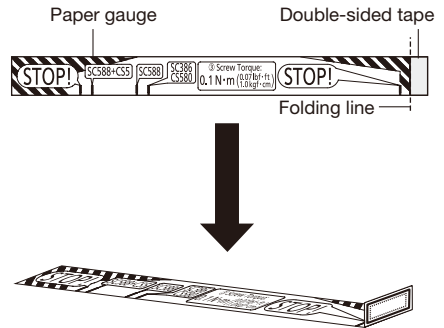
- When the existing anchor bolt that has been installed is used for connecting the safety wire, the use of 2 spacer nuts is helpful.



Step 4

Attach the paper gauge (accessory) to the camera mounting stage.

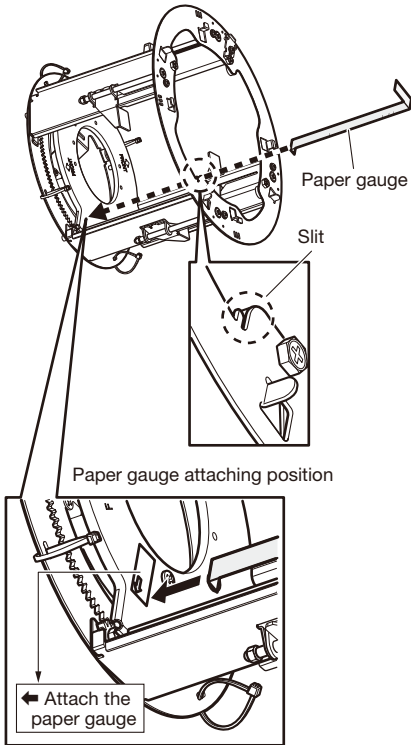
- ① Fold the double-sided tape side of the paper gauge at a right angle as shown in the drawing.



- ② Peel off the backing from the double-sided tape of the paper gauge.

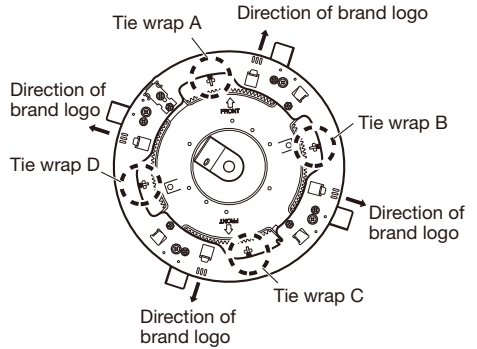


- ③ Turn this bracket sideways as shown in the following drawing, and attach the paper gauge to the camera mounting stage. Attach the paper gauge so that it passes through the slit shown in the following drawing.

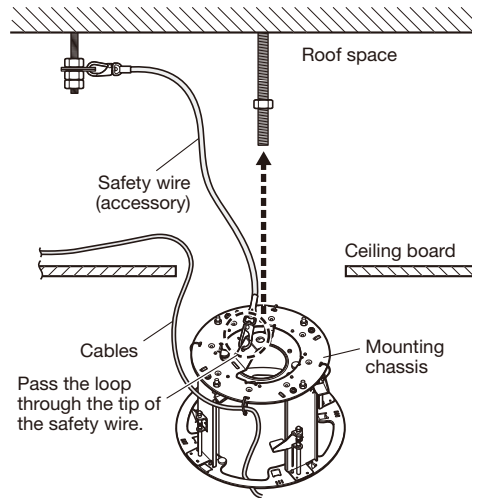


Step 5

- ① Pass the cables from the ceiling through the loop of the tie wrap attached to the mount bracket in advance. Tie wraps used for passing the cables vary with models. The cable passing position is in the following drawing. Models with use of camera mount bracket (accessory to the camera): tie wrap A or tie wrap C in the following drawing. Models with use of base unit (component of the camera): tie wrap B or tie wrap D in the following drawing.



- ② Attach the safety wire to the mounting chassis as shown in the following drawing. Insert the mounting chassis into the hole made in Step 1, and put them into the roof space. At this moment, the logo direction at mounting the decorative cover finally can be aligned with the III direction of the mounting chassis. Therefore, if you care about the brand logo direction, determine the direction using the III direction.



Step 6

Secure the mounting chassis to the ceiling board with the ceiling board fixing screws (4 positions, screws with label ①).

- ① Engage the top of the mounting chassis with the anchor bolt (for securing the mounting chassis).
- ② Secure the mounting chassis by turning the ceiling board fixing screws clockwise when viewing it from beneath. Turning the ceiling board fixing screws clockwise provides ceiling board tightening between the bottom of the mounting chassis and ceiling board fixing bracket resulting in mounting chassis securing.

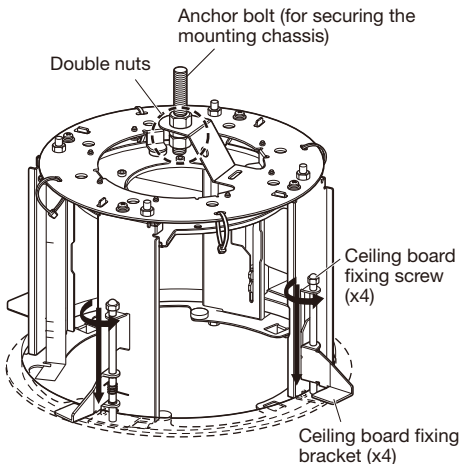
Recommended tightening torque:
0.78 N·m {0.58 lbf·ft}

Important:

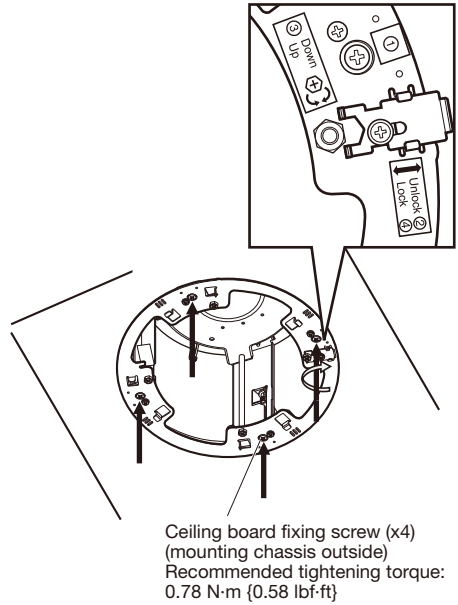
- When securing the mounting chassis on the ceiling, make sure that the 4 ceiling board fixing brackets are open as shown in the figure ③.

- ③ Secure the top of the mounting chassis with double nuts.

<Image of roof space>



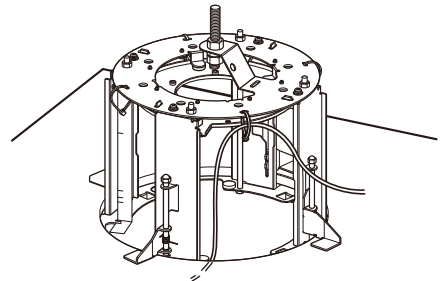
<Installation image in a room>



Step 7

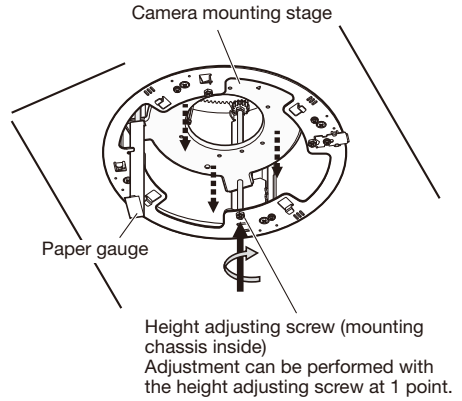
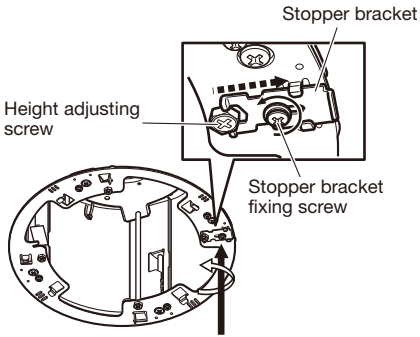
Prepare the cables.

Run the cables from the space of the mounting chassis. The wiring image with the bracket mounted on the ceiling is described below. Be careful to prevent the cables from being caught on the ceiling board fixing bracket or others.



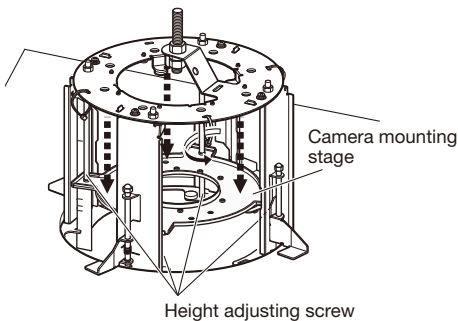
Step 8

Loosen the stopper bracket fixing screw, slide the stopper bracket toward the outside of this bracket (in the unlock ② direction of the label), and unlock the height adjusting screw.



Step 9

Rotate the height adjusting screw (one of 4 points) clockwise when viewing it from beneath (in the ③ down direction of the label), and move the camera mounting stage from the back to the front side. At this moment, the paper gauge attached to the camera mounting stage descends together. Be careful to prevent the cables from being caught between the mounting chassis and camera mounting stage.



Tightening torque: 0.1 N·m {0.07 lbf·ft}

* Do not apply equal to or more than 0.29 N·m {0.21 lbf·ft} of torque. Failure to observe this may cause damage.

Step 10

Mount the camera mount bracket (accessory to the camera) or base unit (component of the camera) on the camera mounting stage.

When the camera mount bracket is used:

Align the ↑FRONT mark of the camera mount bracket with the ↑FRONT mark at the side where the cables are not passed of the camera mounting stage.

When the base unit is used:

Align the direction that the cables of the base unit exit with the [⊖] mark at the side where the cables of the camera mounting stage are passed.

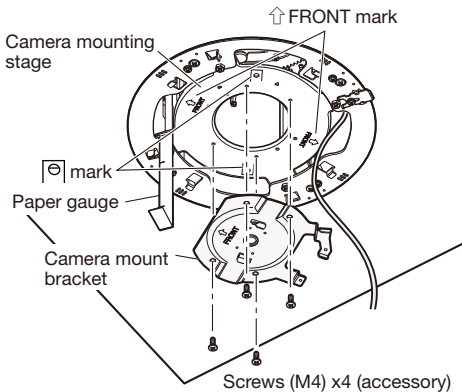
Use M4 screws (accessories) to secure the camera mount bracket or base unit at 4 points. (Recommended tightening torque: 1.57 N·m {1.16 lbf·ft})

Lay the cables between the mounting chassis and camera mounting stage, and leave the cables hanging down.

When the base unit is mounted, connect the cables from the ceiling to the cables from the base unit.

Note:

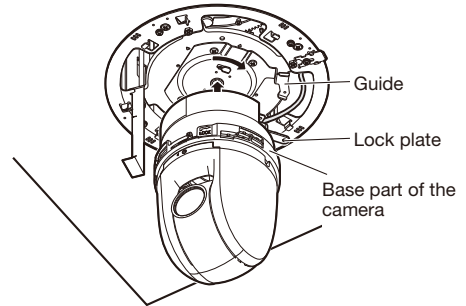
- The selection between the base unit and camera mount bracket depends on the camera type.
The base unit is a component of the camera, and the camera mount bracket is an accessory to the camera.
- The camera mount bracket is attached in figures shown in the following descriptions.



Step 11

Connect the cables to the camera, engage the camera with the camera mount bracket so that the bottom center of the camera is aligned with the center of the camera mount bracket as shown in the drawing below, align the lock plate with the guide, and rotate the camera clockwise by approx. 20 degrees when viewing it from beneath to temporarily secure the camera.

* Refer to the installation guide of the camera for details on how to install the camera.



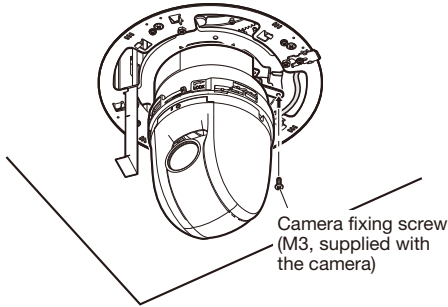
Important:

- Do not let the cables be caught during installation work.
- Be sure to mount it with holding the base part of the camera. Mounting the camera while holding the dome part may result in malfunction.

Step 12

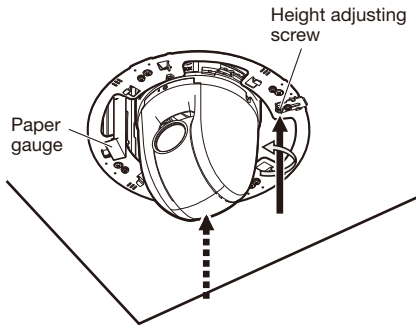
Secure the camera body to the camera mount bracket (supplied with the camera) using a piece of the camera fixing screw (M3, supplied with the camera).

(Recommended tightening torque: 0.68 N·m {0.50 lbf·ft})



Step 13

Rotate the height adjusting screw (one of 4 points) counterclockwise (in the ③ up direction of the label) when viewing it from beneath, and raise the camera mounting stage to the position of the model number in use displayed on the paper gauge.



Tightening torque: 0.1 N·m {0.07 lbf·ft}

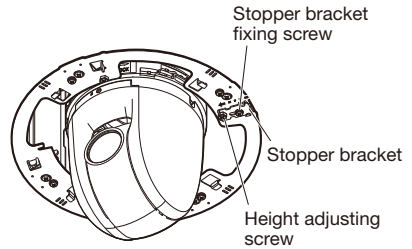
* Do not apply equal to or more than 0.29 N·m {0.21 lbf·ft} of torque. Failure to observe this may cause damage.

Note:

- After adjusting the camera height, remove the paper gauge from this bracket, and discard it.

Step 14

Push the stopper bracket (in the lock ④ direction of the label), and lock the height adjusting screw. Secure the stopper bracket with the stopper bracket fixing screw.

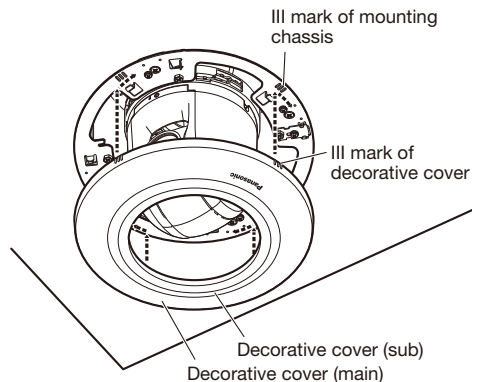


Step 15

Remove the protective sheet from the camera lens.

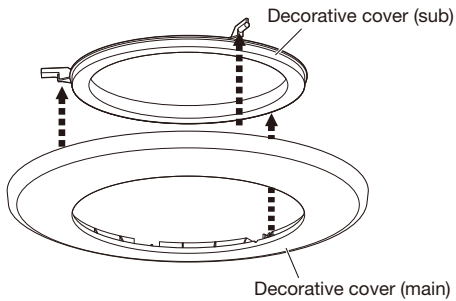
Step 16

Align the III mark of the decorative cover supplied with this bracket with the III mark of the mounting chassis, press the decorative cover against the ceiling, and rotate the decorative cover clockwise when viewing it from beneath to secure the cover.



Note:

- When the camera is embedded into the ceiling with use of this bracket, the decorative cover supplied with the camera is not used.
 - When this bracket is installed with the WV-CS5S/WV-CS5C (dome cover) mounted on WV-SC588 (network camera), remove the decorative cover (sub) from the decorative cover (main).
 - For other cases, use this bracket with the decorative cover (sub) being attached to the decorative cover (main).
-



Specifications

Ambient operating temperature:	-10 °C to +55 °C {14 °F to 131 °F}
Dimensions:	ø245 mm x 203 mm (H) {ø9-21/32 inches x 8 inches (H)} (including the decorative cover)
Mass:	Approx. 1.3 kg {2.87 lbs}
Finish:	Main body: Surface treatment steel sheet Decorative cover: ABS resin (resin color: sail white, silver)

Standard accessories

Operating Instructions (this document)..... 1 set

The following are for installation

Safety wire.....	1 pc.
Safety wire angle	1 pc.
Template A	1 sheet
Template B	1 sheet
Decorative covers (sub and main), sail white, silver	1 pc. for each
Screw (M4)	5 pcs. (incl. 1 spare)
Paper gauge.....	1 sheet

Inhalt

Features.....	17
Vorsichtsmaßnahmen	17
Vorsichtshinweise zur Installation.....	18
Wichtige Bedienungselemente.....	20
Installationsarbeiten	21
Technische Daten	29
Standardzubehör.....	29

Features

Die Deckenmontagehalterung ist speziell für die Montage der Kamera an der Decke bestimmt. Einzelheiten über dazu passende Kameramodelle finden Sie im Katalog oder in der Bedienungsanleitung.

Die Halterung kann auch auf Flächen mit geringer Ausreißfestigkeit wie z.B. Gipsplatten in einer abgehängten Decke verwendet werden. Mit dieser Halterung wird die Kamera in die Decke eingelassen, womit sich der freiliegende Teil des Gehäuses reduziert.

Vorsichtsmaßregeln

Zur Installation an einen Fachhändler wenden.

Installationsarbeiten erfordern Fachkenntnisse und Erfahrung.

Andernfalls besteht die Gefahr von Brand, elektrischem Schlag, Verletzungen oder Schäden an diesem Produkt.

Unbedingt einen Fachhändler konsultieren.

Die Halterung nicht in Bereichen installieren, wo sie Beschädigung durch Salz oder korrosive Gase ausgesetzt ist.

Andernfalls können die Montageteile korrodieren, was zu Unfällen wie Herunterfallen des Produkts führen kann.

Schrauben und Bolzen müssen auf das vorgeschriebene Anzugsmoment festgezogen werden.

Lockere Bolzen oder Schrauben können zum Herunterfallen des Produkts führen und dabei Verletzungen oder Unfälle verursachen.

Diese Halterung nur in Verbindung mit den dazu passenden Kameras verwenden

Andernfalls besteht die Gefahr des Herunterfallens, was zu Körperverletzungen führen kann.

Eine Einbaustelle wählen, die stark genug ist, um das Gesamtgewicht zu tragen.

Wird eine ungeeignete Einbaustelle gewählt, so kann das Produkt herunterfallen oder umstürzen, was zu Verletzungen oder Unfällen führen kann.

Die Einbaustelle vor der Installation ausreichend verstärken.

Die Kanten von Metallteilen möglichst nicht mit der Hand berühren.

Anstoßen kann zu Verletzungen führen.

Regelmäßige Kontrollen müssen durchgeführt werden.

Bei Verwendung von rostigen Metallteilen oder Schrauben kann das Produkt herunterfallen und dabei Verletzungen oder Unfälle verursachen.

Kontrollen durch Fachhändler durchführen lassen.

Es sind Maßnahmen gegen das Herunterfallen des Produkts zu treffen.

Andernfalls besteht die Gefahr des Herunterfallens, was zu Körperverletzungen oder Unfällen führen kann.

Unbedingt den Fangdraht anbringen.

Nur die speziell für das Produkt bestimmte Montagehalterung verwenden.

Andernfalls besteht die Gefahr des Herunterfallens, was zu Körperverletzungen oder Unfällen führen kann.

Zur Installation die speziell für das Produkt bestimmte Montagehalterung verwenden.

Das Produkt nicht an Orten installieren, wo es Vibration ausgesetzt ist.

Lockere Bolzen oder Schrauben können zum Herunterfallen des Produkts führen und dabei Verletzungen oder Unfälle verursachen.

Das Produkt keinen Schlägen oder starken Erschütterungen aussetzen.

Andernfalls besteht die Gefahr von Körperverletzungen oder Brand.

Das Produkt hoch genug installieren, damit man sich den Kopf nicht daran stößt.

Andernfalls kann es zu Verletzungen kommen.

Nicht am Produkt hangeln oder es als Trittbrett benutzen.

Andernfalls besteht die Gefahr des Herunterfallens, was zu Unfällen führen kann.

Vorsichtshinweise zur Installation

Panasonic übernimmt keine Verantwortung für Verletzungen oder Sachschäden, die aus der Installation oder Bedienung resultieren, die nicht wie in dieser Dokumentation beschrieben ausgeführt werden.

Die Installationsarbeiten müssen den örtlichen elektrotechnischen Vorschriften entsprechen.

Das Produkt ist für den Einsatz in Innenräumen bestimmt.

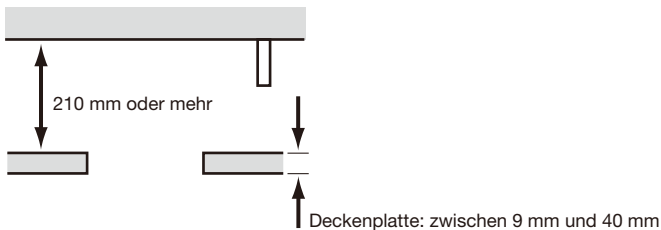
Das Produkt ist nicht für den Einsatz im Freien bestimmt.

Das Produkt nicht an Orten installieren, wo es längere Zeit direkter Sonneneinstrahlung ausgesetzt ist, oder in der Nähe einer Heizung oder Klimaanlage.

Andernfalls kann es zu Verformungen, Verfärbungen oder Störungen kommen. Das Produkt vor Wasser und Feuchtigkeit schützen.

Einbaulfläche für das Produkt

- Vor dem Einbau sicherstellen, dass die Einbaulfläche ausreichend fest ist, um das Gesamtgewicht der Kamerabaugruppe zu tragen.
- Hinter der Einbaulfläche muss mindestens 210 mm Freiraum vorhanden sein.



- Die Dicke der Deckenplatte, in die das Produkt eingebaut wird, darf zwischen 9 mm und 40 mm betragen.

Folgende Standorte sind zu vermeiden:

- Orte, die Regen oder Sprühwasser ausgesetzt sind (auch unter einem Dachvorsprung)
- Orte, die chemischen Stoffen ausgesetzt sind, z.B. in der Nähe eines Schwimmbads
- Orte, wo Feuchtigkeit und ölige Dünste auftreten, z.B. eine Küche
- Orte, wo die Luft leicht entflammbare Gase oder Lösungsmittel enthält
- Orte, wo Strahlung, Röntgenstrahlen, starke elektromagnetische Wellen oder Magnetfelder erzeugt werden
- Orte, wo korrosives Gas erzeugt wird oder Schäden durch salzhaltige Luft entstehen könnten, z.B. in Küstennähe
- Orte, wo die Temperatur nicht im vorgeschriebenen Bereich (-10 °C bis $+55\text{ °C}$) liegt.
- Vibration ausgesetzte Orte wie z.B. an Bord eines Fahrzeugs oder Schiffs oder oberhalb einer Produktionsstraße (Das Produkt ist nicht für den Betrieb an Bord eines Fahrzeugs bestimmt.)
- Orte, wo aufgrund starker Temperaturschwankungen Kondensation auftritt

Montage des Produkts

Das Produkt ist für den Einsatz als Hängekamera bestimmt. Montage des Produkts auf einem Tisch oder auf einer Schrägfläche kann zu Funktionsstörungen oder vorzeitigem Altern führen.

Ankerschrauben bitte getrennt zu beschaffen.

Ankerschrauben für die Montage der Halterung an der Decke gehören nicht zum Lieferumfang. Die Befestigungsmittel müssen für das Material und die Stärke der Montagefläche des Produkts geeignet sein.

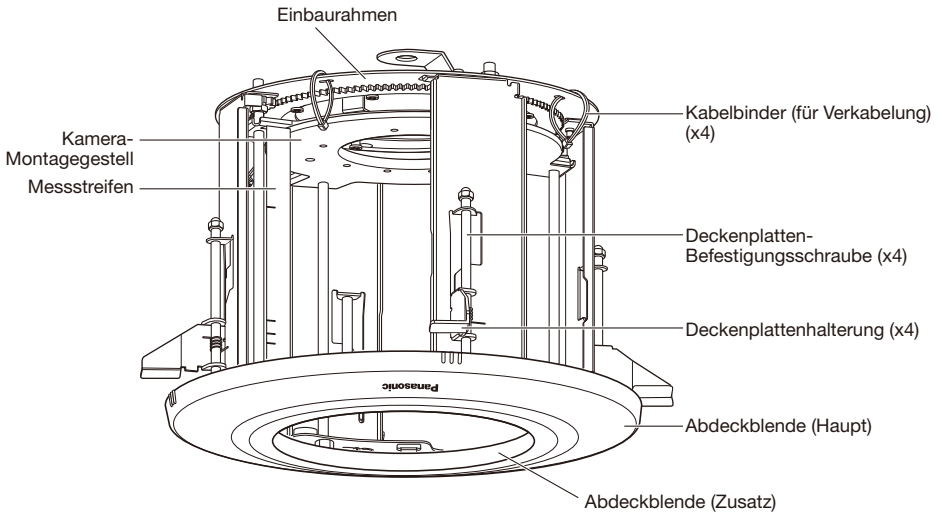
- Ankerschraube: M10, empfohlen
- Mindestausreißfestigkeit: Sicherstellen, dass die Montage mindestens das Fünffache des Kameragewichts tragen kann.

Festziehen der Schrauben

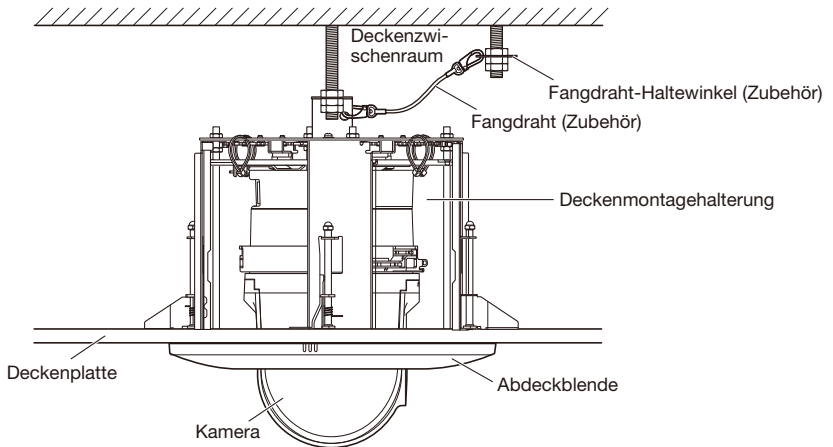
- Schrauben und Bolzen müssen mit dem für das Material und die Stärke der Einbauffläche geeigneten Anzugsmoment festgezogen werden.
- Keinen Schlagschrauber verwenden. Durch Schlagschrauber könnten die Schrauben beschädigt oder zu fest angezogen werden.
- Zum Festziehen muss die Schraube im rechten Winkel zur Montagefläche stehen. Nach dem Anziehen der Schrauben bzw. Bolzen durch Kontrollen sicherstellen, dass alle ausreichend fest angezogen sind und keine wackeln oder locker sitzen.

Bei Nichtgebrauch sollte das Produkt unbedingt ausgebaut werden.

Wichtige Bedienungselemente



<Montagebeispiel>

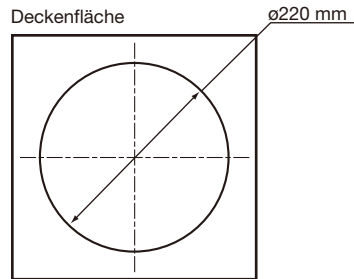


Installationsarbeiten

Vor dem Einbau unbedingt die Abschnitte "Vorsichtsmaßnahmen" (☞ Seite 17) und "Vorsichtshinweise zur Installation" (☞ Seite 18) lesen. Auch die Bedienungsanleitung der zu montierenden Kamera lesen.

Schritt 1

Schablone A (Zubehör) ab die Decke halten und einen $\varnothing 220$ mm Durchbruch anbringen.



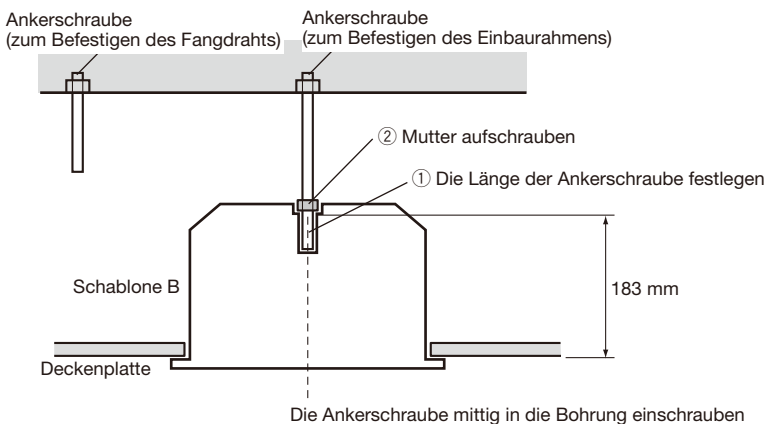
Schablone A

Schritt 2

Zwei Ankerschrauben (M10 empfohlen) in die Decke einbauen.

Eine der Ankerschrauben dient zum Sichern des Einbaurahmens, die andere zum Befestigen des Fangdrahts.

- ① Mithilfe der Schablone B (Zubehör) die Länge der Ankerschraube (zum Sichern des Einbaurahmens) festlegen.
- ② Die Mutter mithilfe der Schablone B (Zubehör) in die richtige Lage bringen. (Der Abstand zwischen der Unterfläche der Deckenplatte und der Mutter muss 183 mm betragen.)



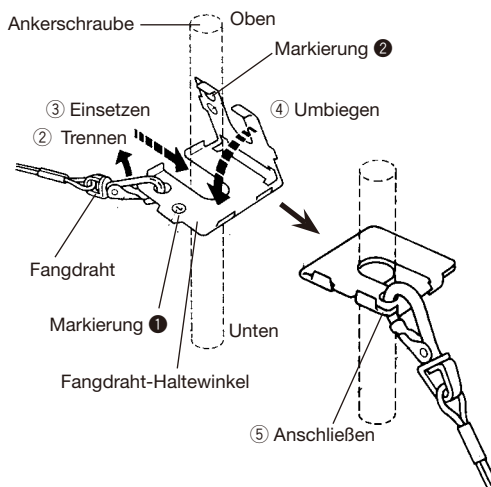
WICHTIG:

- Die Ausreißfestigkeit der Ankerschraube muss mindestens dem Fünffachen des insgesamt montierten Gewichts (einschließlich Kameragehäuse, Deckenmontagehalterung, Ankerschrauben und sonstige Teile) entsprechen.
- Bei Verwendung einer vorhandenen Ankerschraube zum Befestigen des Fangdrahts darauf achten, dass der Abstand zwischen der Ankerschraube und der montierten Kamera höchstens 1 m betragen darf.

Schritt 3

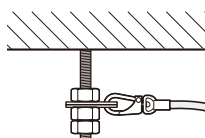
Den Fangdraht-Haltewinkel (Zubehör) an der Ankerschraube (zum Befestigen des Fangdrahts) anbringen und den Fangdraht (Zubehör) daran befestigen.

- ① Den Fangdraht-Haltewinkel mit einer Mutter an der Ankerschraube sichern.
- ② Den Fangdraht vom Fangdraht-Haltewinkel trennen.
- ③ Die mit ① markierte Fläche auf die Ankerschraube setzen.
- ④ Die mit ② markierte Fläche runterbiegen.
- ⑤ Den Fangdraht wieder am Fangdraht-Haltewinkel befestigen.
- ⑥ Die Mutter von unten her einsetzen und den Fangdraht-Haltewinkel oben und unten mit je einer Mutter sichern.
- ⑦ Zur Sicherung der von unten aufgeschraubten Mutter eine weitere Mutter aufschrauben, so dass sich die mit ⑥ bezeichnete Doppelmuttersicherung ergibt.



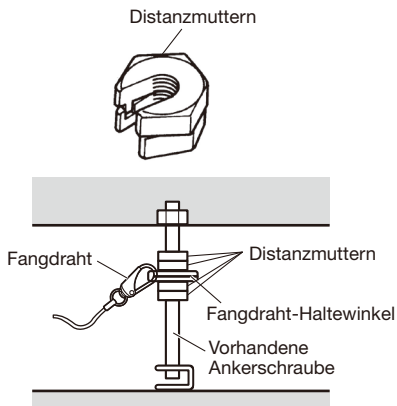
* In der obigen Abbildung sind die Muttern weggelassen.

<Anschluss des Fangdrahts>



Anmerkung:

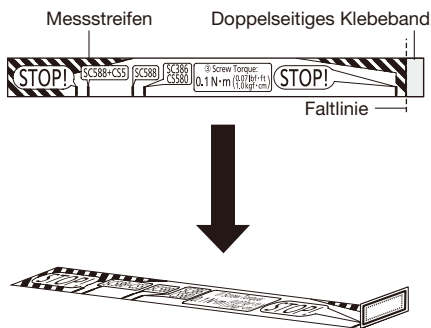
- Bei Anschluss des Fangdrahts an eine bereits vorhandene Ankerschraube können zum Höhenausgleich zwei Distanzmuttern verwendet werden.



Schritt 4

Den Messstreifen (Zubehör) am Kamera-Montagegestell befestigen.

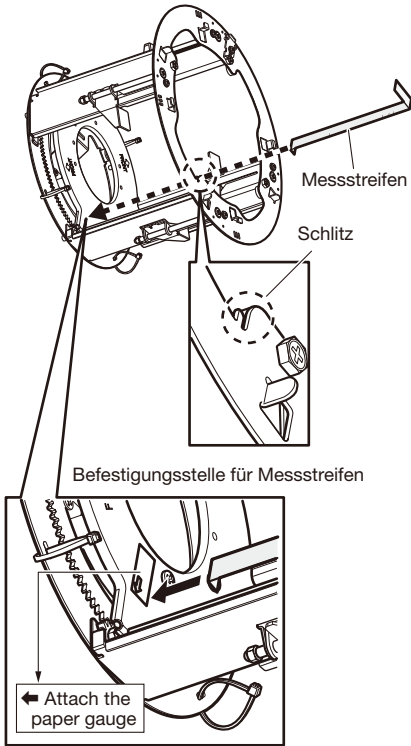
- ① Das als doppelseitiges Klebeband ausgebildete Ende des Messstreifens wie abgebildet rechtwinklig umfalten.



- ② Die Schutzfolie vom doppelseitigen Klebeband am Messstreifen abziehen.

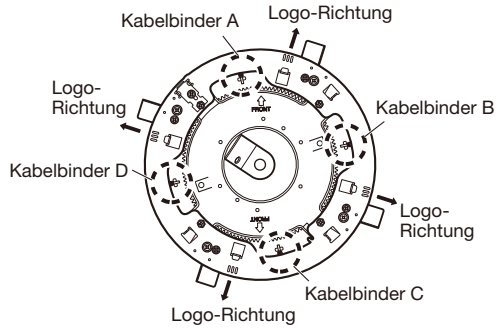


- ③ Die Montagehalterung wie unten abgebildet auf die Seite drehen und den Messstreifen am Kamera-Montagegestell befestigen. Den Messstreifen so befestigen, dass er in dem in der folgenden Abbildung gezeigten Schlitz sitzt.

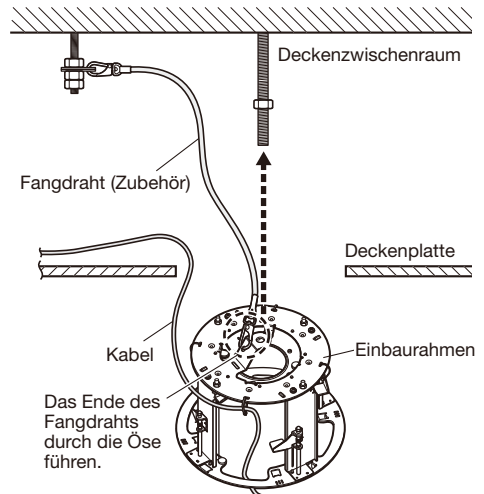


Schritt 5

- ① Vorher die Kabel aus der Decke durch die Schlaufe einer der an der Montagehalterung vorhandenen Kabelbinder führen. Je nach Modell wird ein anderer Kabelbinder für die Sicherung der Kabel verwendet. Die Durchführungsposition ist aus folgender Abbildung ersichtlich.
Modelle mit Kamera-Montagehalterung (Zubehör zur Kamera): Kabelbinder A oder Kabelbinder C in der folgenden Abbildung
Modelle mit Kamera-Grundplatte (Teil der Kamera): Kabelbinder B oder Kabelbinder D in der folgenden Abbildung



- ② Den Fangdraht wie abgebildet am Einbau- rahmen befestigen. Den Einbau- rahmen durch den in Schritt 1 angebrachten Durchbruch in den Deckenzwischenraum einsetzen. Beim Anbringen der Abdeckblende kann das Logo so ausgerichtet werden, dass es mit der auf dem Einbau- rahmen angegebenen Richtung III übereinstimmt. Soll das Logo ausgerichtet werden, so kann dies anhand der Markierung III erfolgen.



Schritt 6

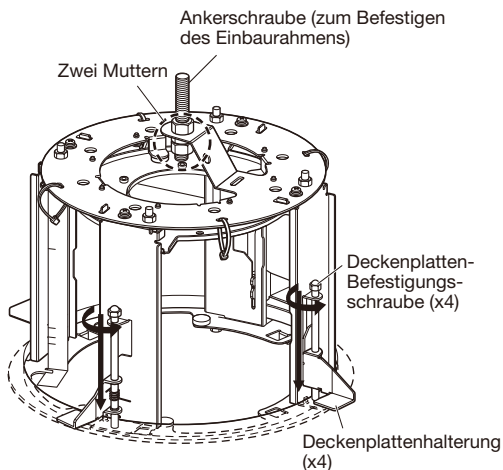
Den Einbaurahmen mit den Deckenplatten-Befestigungsschrauben (4 Stellen, Schrauben markiert ①) an der Deckenplatte montieren.

- ① Die Oberseite des Einbaurahmens auf die Ankerschraube (zum Sichern des Einbaurahmens) setzen.
- ② Den Einbaurahmen durch Drehen der Deckenplatten-Befestigungsschrauben im Uhrzeigersinn (von unten gesehen) montieren. Durch das Festziehen der Deckenplatten-Befestigungsschrauben im Uhrzeigersinn wird die Unterseite des Einbaurahmens an die Deckenplattenhalterungen gepresst und gesichert.
Empfohlenes Anzugsmoment: 0,78 N·m

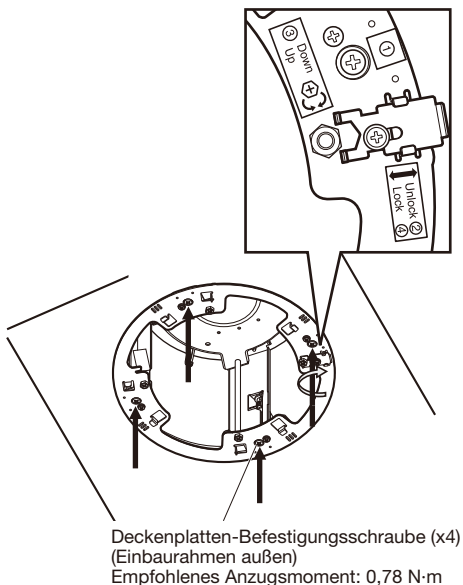
WICHTIG:

- Beim Befestigen des Einbaurahmens an der Decke sicherstellen, dass die 4 Deckenplattenhalterungen offen sind, wie in Abbildung ③ gezeigt.
- ③ Den Einbaurahmen oben mit zwei Muttern sichern.

<Deckenzwischenraum>



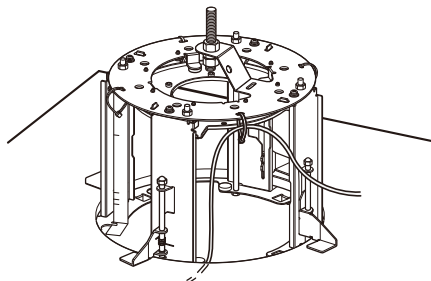
<Einbau in den Deckenzwischenraum>



Schritt 7

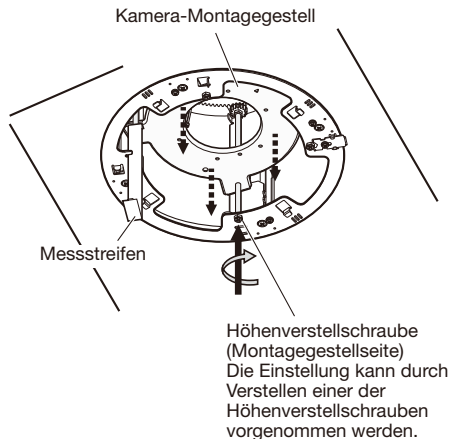
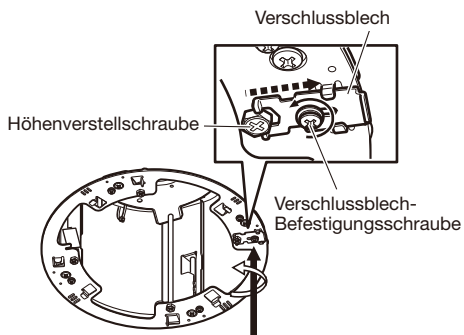
Die Kabel vorbereiten.

Die Kabel durch den Einbaurahmen führen. Die Abbildung unten zeigt die Verkabelung bei montierter Halterung. Darauf achten, dass sich die Kabel nicht in den Deckenplattenhalterungen oder anderen Teilen verfangen.



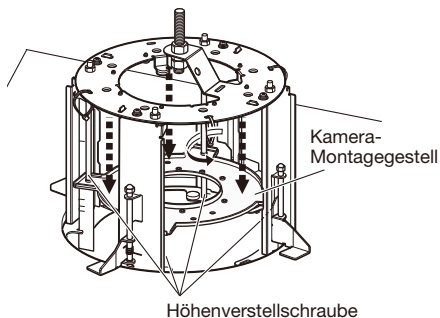
Schritt 8

Die Befestigungsschraube des Verschlussblechs des Verschlussblechs lockern, das Verschlussblech zum Außenrand der Montagehalterung schieben (in Entriegelungsrichtung ②) und die Höhenverstellungsschrauben lösen.



Schritt 9

Die Höhenverstellungsschraube (eine der 4 Schrauben) von unten gesehen im Uhrzeigersinn drehen (in Richtung ③) und das Kamera-Montagegestell von hinten nach vorne schieben. Dabei wird der am Kamera-Montagegestell angebrachte Messstreifen mitbewegt. Darauf achten, dass die Kabel nicht zwischen Einbaurahmen und Kamera-Montagegestell eingeklemmt werden.



Anzugsmoment: 0,1 N·m

* Das Anzugsmoment darf 0,29 N·m nicht überschreiten. Andernfalls kann es zu Beschädigungen kommen.

Schritt 10

Die Kamera-Montagehalterung (Zubehör zur Kamera) oder die Grundplatte (Teil der Kamera) am Kamera-Montagegestell montieren.

Bei Verwendung der Kamera-Montagehalterung:

Die Markierung \uparrow FRONT an der Kamera-Montagehalterung auf die Markierung \uparrow FRONT auf der kabelfreien Seite des Kamera-Montagegestells ausrichten.

Bei Verwendung der Grundplatte:

Die Seite der Grundplatte, aus der die Kabel austreten, auf die Markierung \ominus auf der Austrittsseite der Kabel aus dem Kamera-Montagegestell ausrichten.

Die Kamera-Montagehalterung bzw. die Grundplatte an 4 Stellen mit M4-Schrauben (Zubehör) sichern.

(Empfohlenes Anzugsmoment: 1,57 N·m)

Die Kabel zwischen Einbaurahmen und Kamera-Montagegestell verlegen und die Enden herunter hängen lassen.

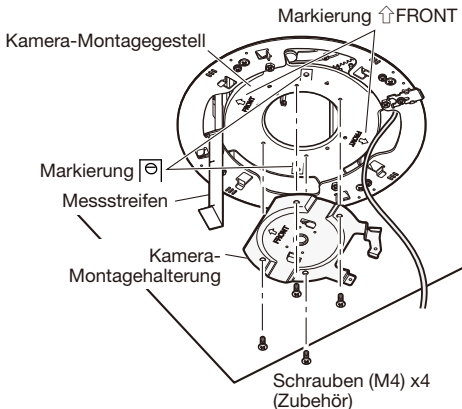
Bei Verwendung der Grundplatte die aus der Decke kommenden Kabel mit den aus der Grundplatte austretenden Kabeln verbinden.

Anmerkung:

- Die Wahl zwischen Grundplatte und Kamera-Montagehalterung hängt vom Kameramodell ab.

Die Grundplatte ist Teil der Kamera, während die Kamera-Montagehalterung als Zubehör zur Kamera geliefert wird.

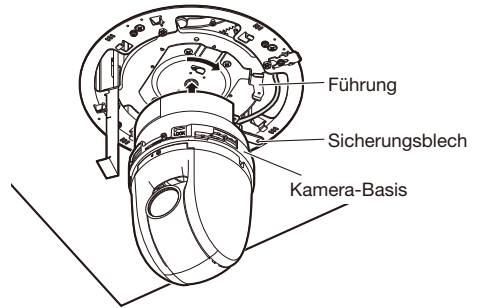
- Die folgenden Abbildungen zeigen die Montage mit der Kamera-Montagehalterung.



Schritt 11

Die Kabel an die Kamera anschließen und die Kamera so in die Kamera-Montagehalterung einsetzen, dass die Mitte der Kamera-Unterseite wie abgebildet auf die Mitte der Kamera-Montagehalterung ausgerichtet ist. Das Sicherungsblech auf die Führung ausrichten und die Kamera im Uhrzeigersinn (von unten gesehen) ca. 20 Grad drehen, um sie provisorisch zu sichern.

* Zu Einzelheiten über die Installation der Kamera siehe das dieser beiliegende Installationshandbuch.

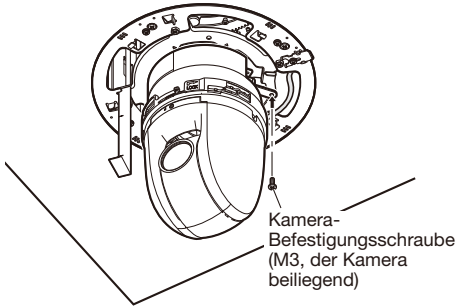


WICHTIG:

- Bei den Arbeiten darauf achten, dass die Kabel nicht eingeklemmt werden.
- Die Kamera bei der Montage an der Basis greifen. Halten der Kamera am Dome kann zu Funktionsstörungen führen.

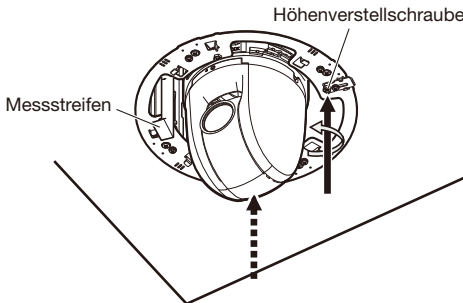
Schritt 12

Das Kameragehäuse mit einer Kamera-Befestigungsschraube (M3, der Kamera beiliegend) an der Kamera-Montagehalterung (der Kamera beiliegend) sichern.
(Empfohlenes Anzugsmoment: 0,68 N·m)



Schritt 13

Eine der Höhenverstellungsschrauben (eine von 4) von unten gesehen gegen den Uhrzeigersinn drehen (in Richtung ③) und das Kamera-Montagegestell auf die Höhe anheben, die für das jeweilige Kameramodell auf dem Messstreifen angegeben ist.



Anzugsmoment: 0,1 N·m

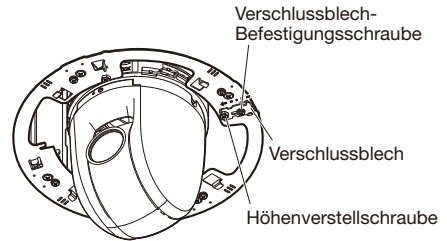
* Das Anzugsmoment darf 0,29 N·m nicht überschreiten. Andernfalls kann es zu Beschädigungen kommen.

Anmerkung:

- Nach der Einstellung der Kamerahöhe den Messstreifen auf der Halterung ziehen und entsorgen.

Schritt 14

Durch Verschieben des Verschlussblechs (in Richtung ④) zum Verriegeln) die Höhenverstellungsschraube sichern. Das Verschlussblech mit der Befestigungsschraube sichern.

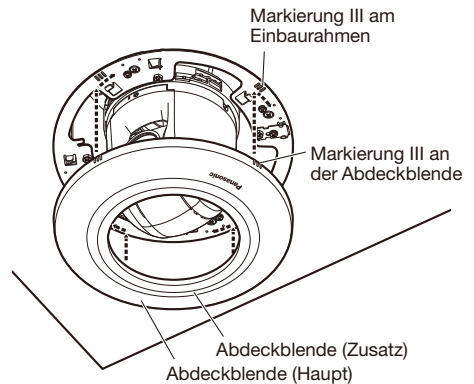


Schritt 15

Die Schutzfolie vom Objektiv der Kamera abziehen.

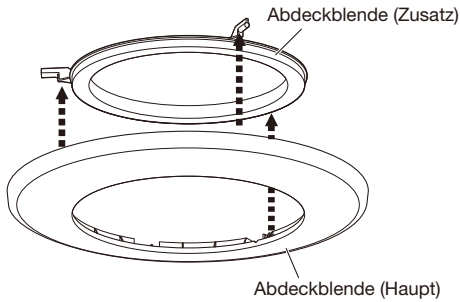
Schritt 16

Die Markierung III an der der Halterung beiliegenden Abdeckblende auf die Markierung III am Einbaurahmen ausrichten, die Abdeckblende an die Decke drücken und durch Drehen im Uhrzeigersinn (von unten gesehen) sichern.



Anmerkung:

- Wenn die Kamera mit der Montagehalterung in die Decke eingelassen wird, entfällt die mit der Kamera gelieferte Abdeckblende.
 - Bei Verwendung der Montagehalterung in Verbindung mit WV-CS5S/WV-CS5C (Dome-Abdeckung) und WV-SC588 (Netzwerkamera) muss die Abdeckblende (Zusatz) von der Abdeckblende (Haupt) entfernt werden.
 - In allen anderen Fällen wird die Abdeckblende (Zusatz) mit der Abdeckblende (Haupt) verwendet.
-



Technische Daten

Betriebsumgebungstemperatur:	-10 °C bis +55 °C
Abmessungen:	ø245 mm x 203 mm (H) (einschl. Abdeckblende)
Masse:	Ca. 1,3 kg
Finish:	Gehäuse: Stahlblech, oberflächenbehandelt Abdeckblende: ABS-Kunststoff (Farbe: segelweiß, silberfarben)

Standardzubehör

Bedienungsanleitung (vorliegendes Dokument)	1 Satz
Montagezubehör	
Fangdraht.....	1 St.
Fangdraht-Haltewinkel.....	1 St.
Schablone A.....	1 Blatt
Schablone B.....	1 Blatt
Abdeckblenden (Zusatz- und Hauptblende), segelweiß, silberfarben.....	je 1 St.
Schraube (M4).....	5 St. (1 Reserve)
Messstreifen.....	1 Blatt

Table des matières

Caractéristiques dominantes	30
Mesures de précaution.....	31
Précautions d'installation	32
Principaux organes de commande	34
Installations	35
Caractéristiques techniques.....	43
Accessoires standard.....	43

Caractéristiques dominantes

Cette potence de fixation au plafond est exclusivement conçue pour installer la caméra vidéo sur un plafond. Pour obtenir de plus amples informations sur les modèles compatibles, se référer au catalogue ou au manuel d'utilisation de la caméra vidéo.

Cette platine de fixation d'installation peut être utilisée pour une installation sur une surface possédant une faible résistance à la traction telle qu'une plaque de plâtre dans un double plafond.

Cette platine de fixation d'installation est un type encastré destiné à réduire la partie exposée du boîtier de caméra vidéo.

Mesures de précaution

Confier les travaux d'installation au distributeur.

Les travaux d'installation exigent des connaissances techniques et de l'expérience.

Le fait de ne pas observer ceci peut engendrer un incendie, provoquer une décharge électrique, des blessures voire endommager ce produit.

Faire en sorte de consulter le distributeur.

Éviter d'installer cette platine de fixation d'installation dans des emplacements où des dégâts par le sel se produisent ou du gaz corrosif est produit.

Dans le cas contraire, les parties servant à l'installation se détérioreront et des accidents tels qu'une chute de ce produit peuvent se produire.

Les vis et les boulons doivent être serrés au couple indiqué.

Un desserrage des vis de fixation ou des boulons peut engendrer une chute du produit et ceci peut occasionner des blessures ou provoquer des accidents.

Ne pas utiliser cette platine de fixation d'installation excepté avec les caméras vidéo appropriées.

Le fait de ne pas respecter cette recommandation risque d'entraîner une chute capable de blesser quelqu'un.

Sélectionner un secteur d'installation capable de supporter le poids total.

Le fait de sélectionner une surface inadéquate pour l'installation peut provoquer la chute de ce produit ou qu'il se renverse, ceci ayant pour résultat de blesser quelqu'un ou engendrer des accidents.

Les travaux d'installation ne doivent commencer qu'après le renforcement suffisant de la surface d'accueil.

Ne jamais frotter le bord des parties métalliques à mains nues.

Le fait de frotter vigoureusement peut provoquer des blessures.

Des inspections périodiques doivent être effectuées.

Une formation de rouille sur les parties métalliques ou sur les vis peut engendrer une chute du produit ou provoquer des accidents.

Se mettre en rapport avec le distributeur en ce qui concerne les inspections à faire.

Les mesures de protection nécessaires contre toute chute de ce produit doivent être prises.

Le fait de ne pas respecter cette recommandation risque d'entraîner une chute capable de blesser quelqu'un ou provoquer des accidents. Ne pas oublier d'installer le câble de sécurité.

La platine de fixation d'installation exclusivement conçue doit être utilisée.

Le fait de ne pas respecter cette recommandation risque d'entraîner une chute capable de blesser quelqu'un ou provoquer des accidents. Utiliser la platine de fixation d'installation exclusivement conçue pour l'installation.

Ne pas installer le produit dans des emplacements soumis à des vibrations.

Un desserrage des vis de fixation ou des boulons peut engendrer une chute du produit et ceci peut occasionner des blessures ou provoquer des accidents.

Ne pas frapper ni soumettre ce produit à des chocs violents.

Le fait de ne pas respecter cette précaution risque d'aboutir à des blessures voire de créer un incendie.

Installer ce produit dans un endroit suffisamment élevé pour éviter que des personnes et des objets se cognent ou se butent dans le produit.

Le fait de ne pas respecter cette précaution risque d'aboutir à des blessures.

Ne pas se suspendre à partir de ce produit ni utiliser ce produit comme piédestal.

Le fait de ne pas respecter cette recommandation risque d'engendrer la chute de l'appareil et de résulter par des accidents.

Précautions d'installation

Panasonic n'assume aucune responsabilité en cas de dommages corporels ou matériels résultant de pannes dues à une installation incorrecte ou à une utilisation contraire à ce qui est indiqué dans cette documentation.

L'installation doit être conforme au code électrique local.

Ce produit est conçu pour être installé à l'intérieur.

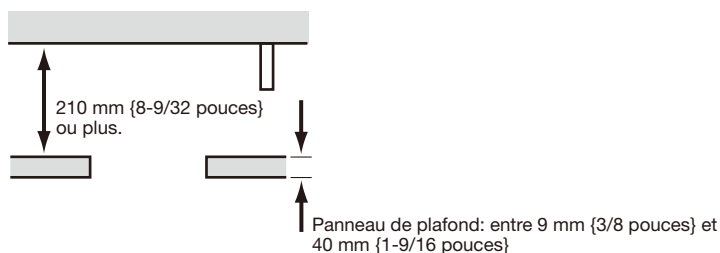
Ce produit ne peut pas pour mis en service à l'extérieur.

Ce produit ne doit pas être exposé directement au soleil pendant des heures ni ne doit être installé près d'un appareil de chauffage ou d'un système d'air conditionné.

Sinon, cela risque de provoquer une déformation, une décoloration voire une panne. Conserver ce produit loin de l'eau et de l'humidité.

Secteur d'installation pour ce produit

- Il convient de s'assurer que la surface d'installation est suffisamment robuste pour supporter le poids total de l'ensemble de caméra vidéo avant de procéder à l'installation.
- Le secteur d'installation doit pouvoir aménager 210 mm {8-9/32 pouces} ou davantage d'espace derrière le plafond.



- L'épaisseur du panneau de plafond sélectionné pour faire l'installation peut se situer dans les limites de 9 à 40 mm {3/8 pouces à 1-9/16 pouces}.

Ne pas placer ce produit dans les emplacements suivants:

- Emplacements où il risque d'être mouillé par la pluie ou par des éclaboussures d'eau (sous des gouttières y compris, etc.)
- Emplacements où un agent chimique est utilisé comme dans le cas d'une piscine
- Emplacements en présence d'humidité ou d'émanations d'huile comme dans le cas d'une cuisine
- Emplacements situés dans un environnement particulier pouvant être exposé à une atmosphère où il existe des produits inflammables ou des solvants
- Emplacements où un rayonnement, des rayons X, des puissantes ondes radio ou un champ magnétique intense est produit
- Emplacements où du gaz corrosif est produit, emplacements où il peut être endommagé par de l'air saumâtre tel qu'en bord de mer
- Emplacements où la température ne se trouve pas dans les limites de la gamme spécifiée (-10 °C à +55 °C {14 °F à 131 °F}).
- Emplacements sujets aux vibrations, comme dans le cas d'une installation sur des véhicules, des navires maritimes ou au-dessus de chaînes de production (ce produit n'est pas conçu être utilisé en mode d'installation sur véhicule.)
- Emplacements soumis à une condensation résultant d'importants changements de température

Méthode d'installation pour ce produit

Ce produit est conçu pour être utilisé comme une caméra vidéo à installation en position suspendue. Si le produit est installé sur un bureau ou en position inclinée, il risque de ne pas fonctionner correctement et sa durée de vie utile de service risque d'être écourtée.

Se procurer les boulons d'ancrage séparément.

Un boulon d'ancrage servant à l'installation de la platine de fixation d'installation sur un plafond n'est pas fourni avec la platine de fixation d'installation au plafond.

Se les procurer en fonction des matériaux et de la résistance de la surface appelée à accueillir le produit.

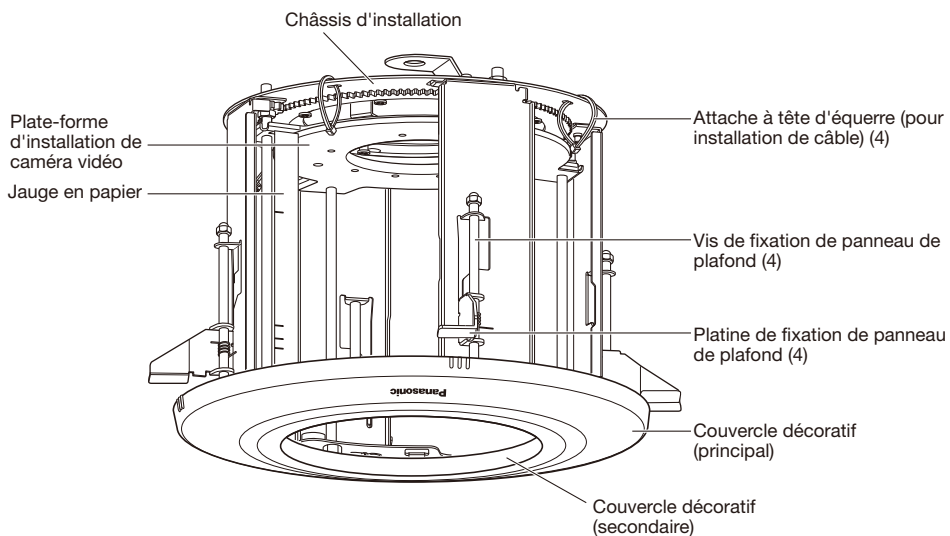
- Boulon d'ancrage: M10, recommandé
- Capacité de dégagement minimum exigée: S'assurer que plus de 5 fois le poids total comprenant le boîtier de la caméra vidéo peuvent être supportés.

Serrage de vis

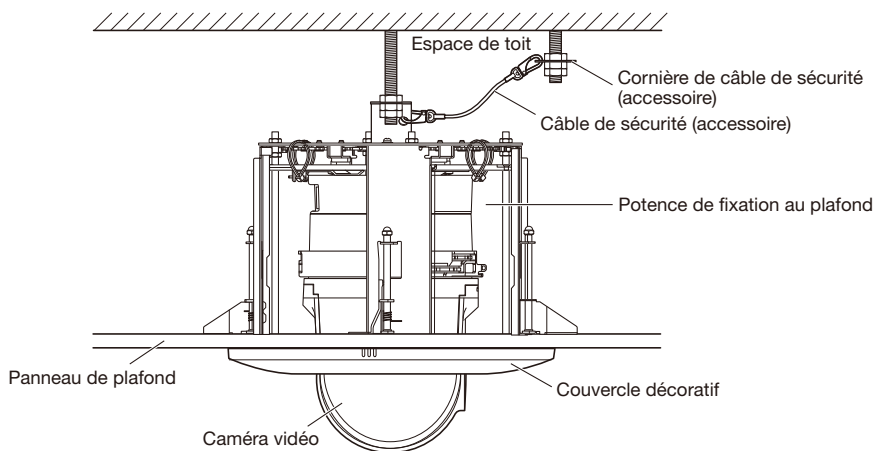
- Les vis de fixation et les boulons d'installation doivent être serrés au couple de serrage approprié en fonction des matériaux et de la résistance de la surface appelée à accueillir le produit.
- Ne pas se servir d'un tournevis à percussion à impact. L'utilisation d'un tournevis à percussion risque d'endommager les vis ou d'engendrer un serrage excessif.
- Quand une vis est serrée, faire en sorte que la vis se trouve à angle droit par rapport à la surface. Dès que le serrage des vis de fixation ou des boulons est terminé, procéder à des vérifications afin de s'assurer que le serrage est suffisant de telle sorte qu'il n'y ait aucun mouvement ou jeu des éléments installés.

Faire en sorte de retirer sans faute ce produit s'il n'est plus utilisé.

Principaux organes de commande



<Exemple d'installation>

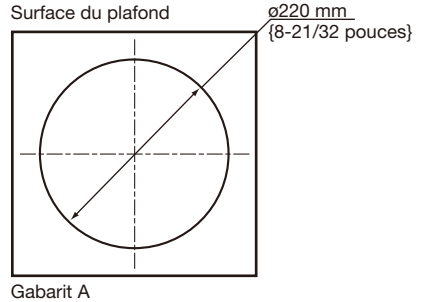


Installations

Faire en sorte de lire les "Mesures de précaution" (☞ page 31) et les "Mesures de précaution pour l'installation" (☞ page 32) avant de procéder à l'installation. Lire également le manuel d'utilisation de la caméra vidéo à installer.

Étape 1

Placer le gabarit A (accessoire) contre la surface au plafond et percer une ouverture de $\varnothing 220$ mm {8-21/32 pouces}.

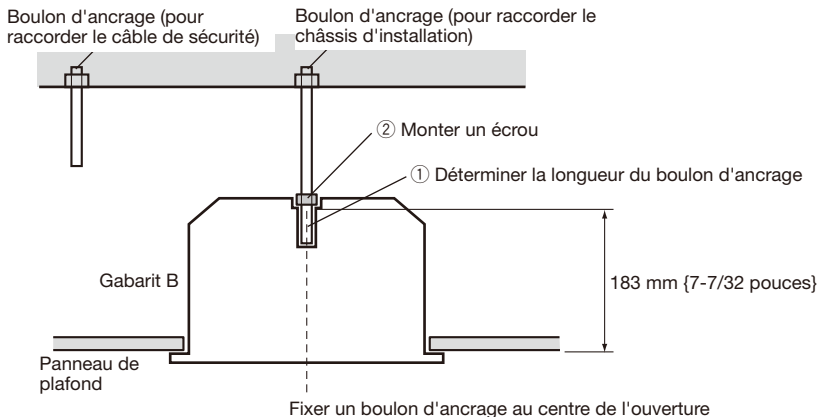


Étape 2

Fixer deux boulons d'ancrage (M10 recommandé) dans le plafond.

Un ancrage est utilisé pour fixer le châssis d'installation et l'autre ancrage est utilisé pour connecter le câble de sécurité.

- ① Déterminer la longueur du boulon d'ancrage (servant à la fixation du châssis d'installation) en utilisant le gabarit B (accessoire).
- ② Placer l'écrou au moyen du gabarit B (accessoire) et monter l'écrou. (La distance entre les surfaces de base du panneau de plafond et l'écrou de fixation doit être de 183 mm {7-7/32 pouces}.)



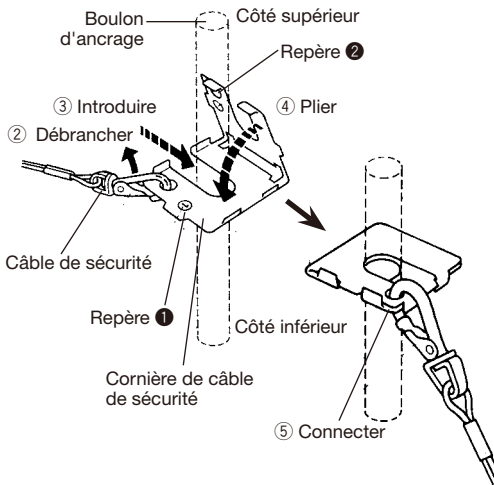
IMPORTANT:

- La résistance à la traction du boulon d'ancrage devrait être supérieure de plus de 5 fois le poids total des appareils installés (ceci comprenant le boîtier de caméra vidéo, la potence de fixation au plafond, les boulons d'ancrage et toutes autres pièces utilisées).
- Quand le boulon d'ancrage existant est utilisé comme boulon d'ancrage pour connecter le câble de sécurité, s'assurer que la distance entre le boulon d'ancrage et la position de fixation de la caméra vidéo est de 1 m {3,28 feet} ou moins.

Étape 3

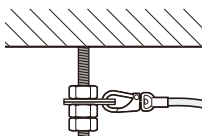
Fixer la cornière du câble de sécurité (accessoire) au boulon d'ancrage (servant au raccordement du câble de sécurité) et raccorder le câble de sécurité (accessoire).

- ① Fixer un écrou de telle sorte que la cornière du câble de sécurité soit solidement fixée sur le boulon d'ancrage.
- ② Débrancher le câble de sécurité de la cornière de câble de sécurité.
- ③ Engager la surface identifiée par ① sur le boulon d'ancrage.
- ④ Replier la surface identifiée par ②.
- ⑤ Raccorder à nouveau le câble de sécurité à la cornière du câble de sécurité.
- ⑥ Engager l'écrou en procédant par en dessous, puis fixer solidement la cornière de câble de sécurité avec les écrous du haut et du bas.
- ⑦ Engager un autre écrou en procédant par en dessous pour serrer et fixer l'écrou qui a été engagé par en dessous dans ⑥ suivant un double mode de fixation d'écrou.



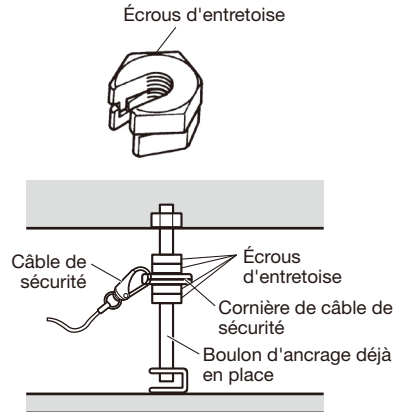
* L'écrou de fixation n'est pas représenté dans l'illustration ci-dessus.

<Image de raccordement de câble de sécurité>



Remarque:

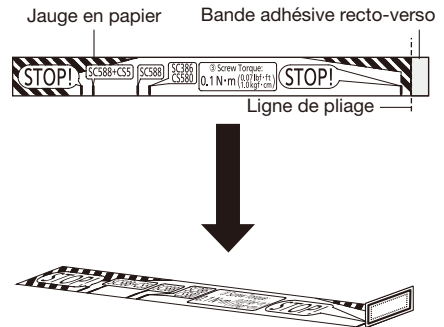
- Quand le boulon d'ancrage existant qui a été installé est utilisé pour raccorder le câble de sécurité, l'utilisation de 2 écrous à entretoise est utile.



Étape 4

Fixer la jauge en papier (accessoire) sur la plate-forme d'installation de caméra vidéo.

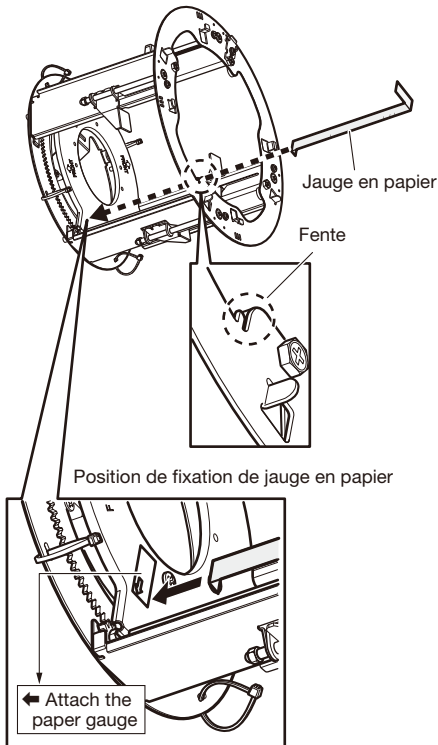
- ① Replier le côté de la bande adhésive recto-verso de la jauge en papier suivant un angle droit comme représenté sur le schéma.



- ② Décoller le dos de la bande adhésive recto-verso de la jauge en papier.

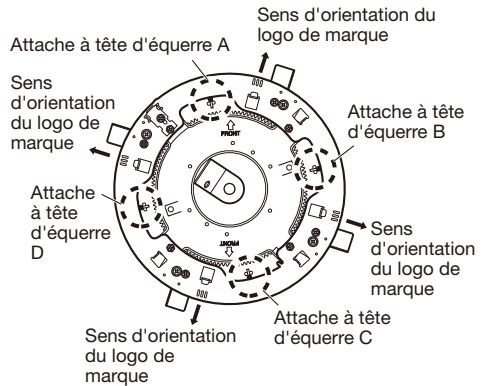


- ③ Faire tourner cette platine de fixation sur le côté suivant les indications du schéma ci-dessous, puis attacher la jauge en papier à la plate-forme d'installation de caméra vidéo. Fixer la jauge en papier de telle sorte qu'elle passe dans la fente comme représenté sur le schéma ci-dessous.



Étape 5

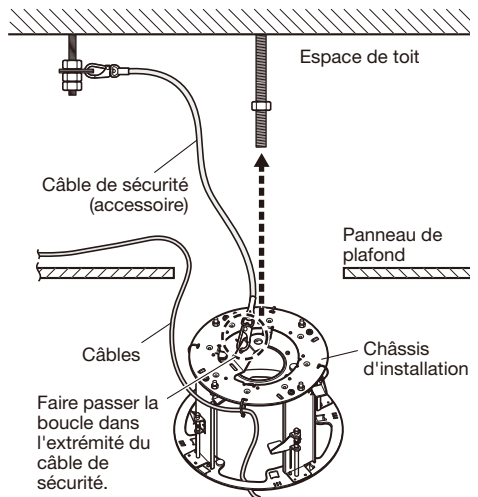
- ① Faire passer les câbles du plafond par la boucle de l'attache à tête d'équerre fixée à la platine de fixation d'installation à l'avance. Les attaches à tête d'équerre utilisées pour faire passer les câbles varient selon les modèles. La position d'engagement de câble est comme représentée sur le schéma ci-dessous.
- Modèles avec une utilisation de la platine de fixation d'installation de caméra vidéo (accessoire à la caméra vidéo): Attache à tête d'équerre A ou attache à tête d'équerre C dans le schéma suivant
- Modèles avec une utilisation de l'unité de base (composant de la caméra vidéo): Attache à tête d'équerre B ou attache à tête d'équerre D dans le schéma suivant



- ② Attacher le câble de sécurité au châssis d'installation suivant les indications du schéma ci-dessous. Insérer le châssis d'installation dans l'ouverture percée au cours de l'étape 1, puis les placer dans l'espace du toit.

À ce moment, l'orientation du logo pour l'installation du couvercle extérieur peut finalement être alignée avec l'orientation III du châssis d'installation.

Par conséquent, si vous vous inquiétez à propos de l'orientation du logo de marque, déterminer l'orientation en utilisant l'orientation III.



Étape 6

Fixer solidement le châssis d'installation au panneau de plafond avec les vis de fixation de panneau de plafond (4 endroits, vis de fixation portant l'étiquette ①).

- ① Engager le haut du châssis d'installation sur le boulon d'ancrage (pour fixer le châssis d'installation).
- ② Fixer le châssis d'installation en tournant les vis de fixation de panneau de plafond dans le sens des aiguilles d'une montre en le visualisant du dessous. Le fait de tourner les vis de fixation de panneau de plafond dans le sens des aiguilles d'une montre a pour effet de serrer le panneau de plafond entre le châssis d'installation et la platine de fixation de panneau de plafond, ce qui offre une fixation robuste du châssis d'installation.

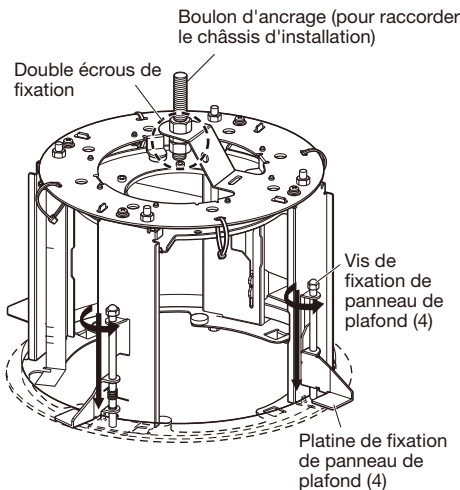
Couple de serrage recommandé: 0,78 N·m (0,58 lbf·ft)

IMPORTANT:

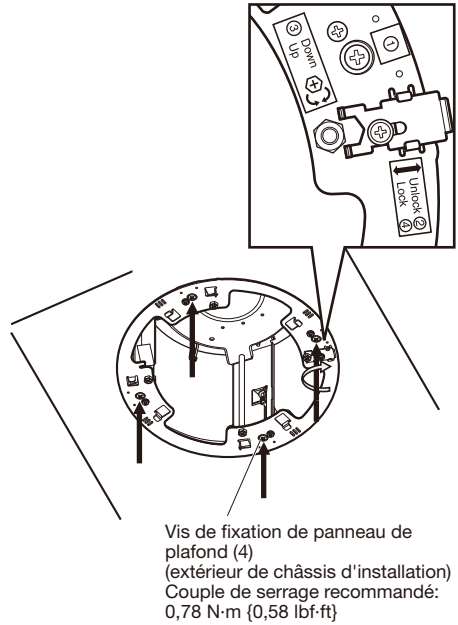
- Lorsque le châssis d'installation est fixé au plafond, il convient de s'assurer que les quatre platines de fixation de panneau de plafond sont ouvertes comme cela est représenté sur la figure ③.

- ③ Fixer le haut du châssis d'installation avec de doubles écrous.

<Image de l'espace de toit>



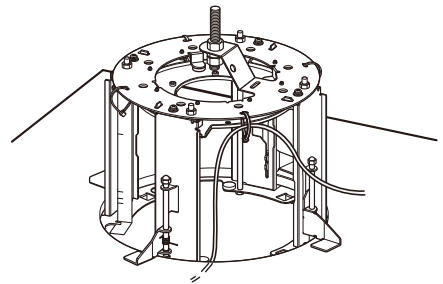
<Image d'installation dans une pièce>



Étape 7

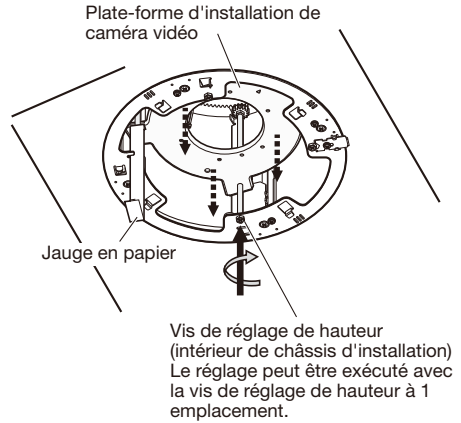
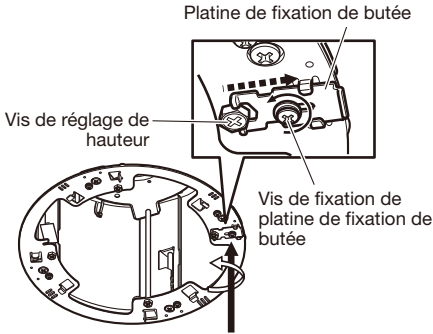
Préparer les câbles.

Acheminer les câbles à partir de l'espace du châssis d'installation. L'image de câblage avec la platine de fixation d'installation montée sur plafond est décrite ci-dessous. Prendre toutes les précautions nécessaires pour que les câbles ne soient pas pris par la platine de fixation de panneau de plafond ou par d'autres éléments.



Étape 8

Desserrer la vis de fixation de platine de fixation de butée, faire coulisser la platine de fixation de butée vers l'extérieur de cette platine de fixation (dans le sens du déverrouillage ② de l'étiquette), puis déverrouiller la vis de réglage de hauteur.

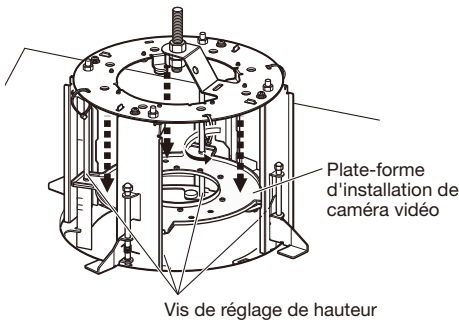


Couple de serrage: 0,1 N·m {0,07 lbf·ft}

* Ne pas appliquer un couple de valeur égale à 0,29 N·m {0,21 lbf·ft} ou davantage. Le fait de ne pas respecter cette précaution risque d'endommager des éléments.

Étape 9

Faire tourner la vis de réglage de hauteur (une des 4 endroits) dans le sens des aiguilles d'une montre en la visualisant à partir du dessous (vers le bas ③ de l'étiquette), puis déplacer la plate-forme d'installation de caméra vidéo à nouveau de la partie antérieure vers l'avant. À ce moment-là, la jauge en papier attachée à la plate-forme d'installation de caméra vidéo descend ensemble. Faire attention à ce que les câbles ne soient pas pris entre le châssis d'installation et la plate-forme d'installation de caméra vidéo.



Étape 10

Installer la platine de fixation d'installation de caméra vidéo (accessoire à la caméra vidéo) ou l'unité de base (composant de la caméra vidéo) sur la plate-forme d'installation de caméra vidéo.

Lorsque la platine de fixation d'installation de caméra vidéo est utilisée:

Aligner le repère \uparrow FRONT de la platine de fixation d'installation de caméra vidéo avec le repère \uparrow FRONT se trouvant du côté où les câbles ne sont pas passés de la plate-forme d'installation de caméra vidéo.

Quand l'unité de base est utilisée:

Aligner le sens par lequel les câbles de l'unité de base avec le repère \square se trouvant du côté où les câbles sont passés de la plate-forme d'installation de caméra vidéo.

Utiliser les vis M4 (accessoires) pour fixer la platine de fixation d'installation de caméra vidéo ou l'unité de base à 4 endroits.

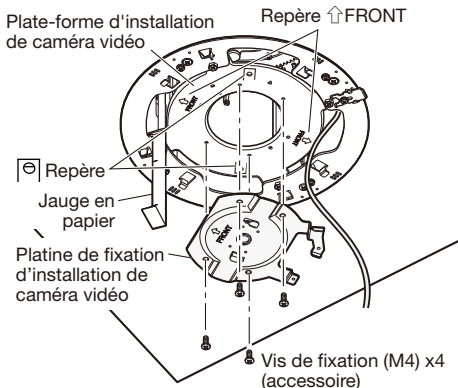
(Couple de serrage recommandé: 1,57 N·m {1,16 lbf·ft})

Acheminer les câbles entre le châssis d'installation et la plate-forme d'installation de caméra vidéo et laisser les câbles pendre.

Quand l'unité de base est installée, connecter les câbles à partir du plafond aux câbles provenant de l'unité de base.

Remarque:

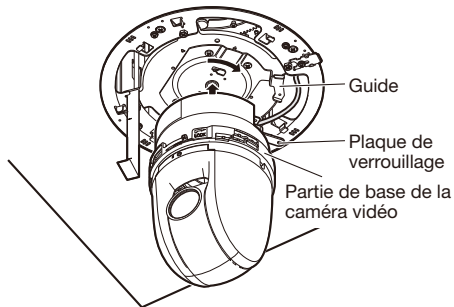
- La sélection entre l'unité de base et la platine de fixation d'installation de caméra vidéo dépend du type de caméra vidéo. L'unité de base est un composant de la caméra vidéo et la platine de fixation d'installation de caméra vidéo est un accessoire à la caméra vidéo.
- La platine de fixation d'installation de caméra vidéo est attachée dans les figures jointes dans les descriptions suivantes.



Étape 11

Raccorder les câbles à la caméra vidéo, engager la caméra vidéo avec la platine de fixation d'installation de telle sorte que le centre de la partie inférieure de la caméra vidéo soit aligné avec le centre de la platine de fixation d'installation de caméra vidéo comme représenté sur le schéma ci-dessous, aligner la plaque de verrouillage avec le guide, puis faire tourner la caméra vidéo dans le sens des aiguilles d'une montre sur approximativement 20 degrés en la visualisant à partir du dessous pour fixer provisoirement la caméra vidéo.

* Se référer au guide d'installation de la caméra vidéo pour obtenir tous les détails sur la façon dont on doit installer la caméra vidéo.



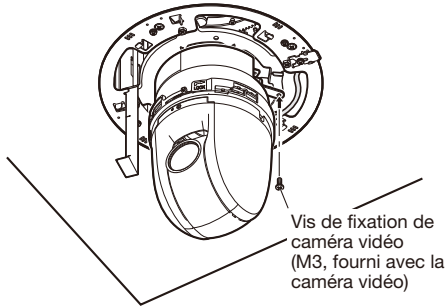
IMPORTANT:

- Ne pas laisser les câbles se faire prendre pendant les travaux d'installation.
- S'assurer de l'installer tout saisissant la partie de base de la caméra vidéo. Une installation de la caméra vidéo tout en immobilisant la partie du dôme risque de se traduire par des erreurs de fonctionnement.

Étape 12

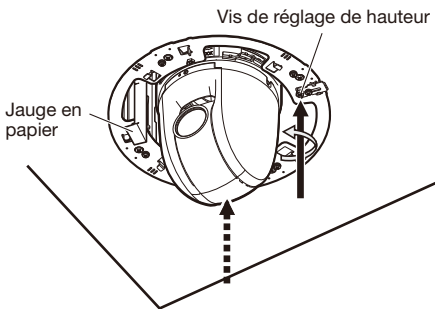
Bloquer le boîtier de caméra vidéo sur la platine de fixation d'installation de caméra vidéo (fourni avec la caméra vidéo) en utilisant une partie de la vis de fixation de caméra vidéo (M3, fournie avec la caméra vidéo).

(Couple de serrage recommandé: 0,68 N·m {0,50 lbf·ft})



Étape 13

Faire tourner la vis de réglage de hauteur (un des 4 endroits) dans le sens inverse des aiguilles d'une montre (③ vers le haut de la direction de l'étiquette) quand le visionnement est fait dessous, puis relever la plate-forme d'installation de caméra vidéo jusqu'à la position du numéro de modèle en service affiché sur la jauge en papier.



Couple de serrage: 0,1 N·m {0,07 lbf·ft}

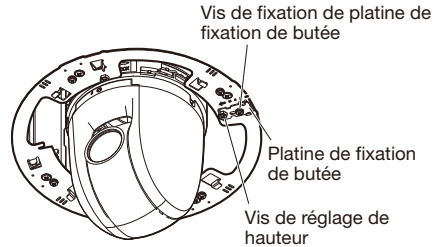
* Ne pas appliquer un couple de valeur égale à 0,29 N·m {0,21 lbf·ft} ou davantage. Le fait de ne pas respecter cette précaution risque d'endommager des éléments.

Remarque:

- Après avoir fait le réglage de la hauteur de la caméra vidéo, retirer la jauge en papier de cette platine de fixation et la jeter.

Étape 14

Repousser la platine de fixation de butée (dans le sens de verrouillage ④ de l'étiquette), et bloquer la vis de réglage de hauteur. Serrer fermement la platine de fixation de butée avec la vis de fixation de platine de fixation de butée.

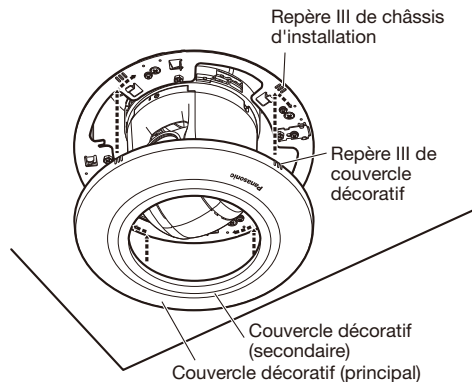


Étape 15

Retirer le film de protection de l'objectif de caméra vidéo.

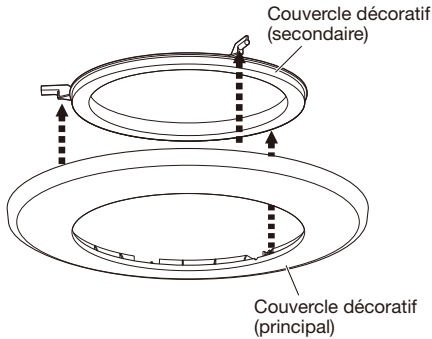
Étape 16

Aligner le repère III du couvercle décoratif fourni avec cette platine de fixation avec le repère III du châssis d'installation, repousser le couvercle décoratif contre le plafond, puis faire tourner le couvercle décoratif dans le sens des aiguilles d'une montre en le visualisant du dessous pour fixer le couvercle.



Remarque:

- Quand la caméra vidéo est encastrée dans le plafond avec l'utilisation de cette platine de fixation, le couvercle décoratif fourni avec la caméra vidéo n'est pas utilisé.
 - Quand cette platine de fixation est installée avec le modèle WV-CS5S/WV-CS5C (couvercle en dôme) monté sur la caméra vidéo WV-SC588 (caméra en réseau), retirer le couvercle décoratif (secondaire) du couvercle décoratif (principal).
 - Dans les autres cas, utiliser cette platine de fixation avec le couvercle décoratif (secondaire) fixé au couvercle décoratif (principal).
-



Caractéristiques techniques

Température ambiante en service:	-10 °C à +55 °C {14 °F a 131 °F}
Dimensions:	ø245 mm x 203 mm(H) {ø9-21/32 pouces x 8 pouces (H)} (comprenant le couvercle décoratif)
Masse:	Environ 1,3 kg {2,87 lbs}
Finition:	Bloc principal: Tôle d'acier de traitement de surface extérieure Couvercle décoratif: Résine ABS (couleur résine: Blanc voile, argent)

Accessoires standard

Manuel d'installation (le présent document).....1 ensemble

Les éléments suivants sont utilisés pour effectuer l'installation

Câble de sécurité	1 él.
Cornière de câble de sécurité	1 él.
Gabarit A.....	1 feuille
Gabarit B.....	1 feuille
Couvercles décoratifs (secondaires et principal), blanc voile, argent.....	1 él. de chaque
Vis (M4)	5 él. (y compris une vis de fixation de rechange)
Jauge en papier.....	1 feuille

Índice

Características	45
Precauciones.....	45
Precauciones para la instalación.....	46
Principales controles de operación.....	48
Instalaciones	49
Especificaciones	57
Accesorios estándar.....	57

Características

Esta ménsula de montaje en el techo está diseñada exclusivamente para montar la cámara en el techo. Consulte el catálogo o el manual de instrucciones de la cámara para encontrar más información sobre los modelos compatibles.

Esta ménsula puede utilizarse para un lugar con poca resistencia de soporte, como pueda ser una placa de yeso de un techo doble. Esta ménsula es del tipo empotrado hace que sea menor la parte visible del cuerpo de la cámara.

Precauciones

Solicite el trabajo de instalación al distribuidor.

Es necesario poseer técnica y experiencia para realizar el trabajo de instalación.

Si no lo hace así, pueden ocasionarse incendios, descargas eléctricas, heridas, o daños en el producto.

Consúltelo sin falta al distribuidor.

No instale esta ménsula en lugares propicios a daños producidos por el salitre ni en los que se produzcan gases corrosivos.

De lo contrario, se deteriorarían las partes de montaje y podrían ocurrir accidentes tales como la caída de este producto.

Los tornillos y los pernos deberán apretarse a la torsión especificada.

La flojedad de los tornillos o pernos de montaje puede ocasionar la caída del producto y el riesgo de sufrir heridas o accidentes.

No emplee esta ménsula si no es con las cámaras adecuadas.

Si no lo hace así, puede producirse una caída que presentará peligro de heridas.

Seleccione un lugar de instalación que pueda soportar el peso total.

La selección de una superficie de instalación inadecuada puede causar la caída o el desprendimiento de este producto, pudiendo ocasionar lesiones o accidentes.

El trabajo de instalación deberá comenzarse después de haber reforzado suficientemente la superficie.

No frote los bordes de las partes metálicas con las manos.

El frotamiento fuerte podría causar lesiones.

Deberán llevarse a cabo inspecciones periódicas.

La corrosión de las partes metálicas o de los tornillos puede ocasionar la caída del producto y el riesgo de sufrir heridas o accidentes.

Consulte a su distribuidor para las inspecciones.

Deberán tomarse medidas de protección contra la caída de este producto.

Si no lo hace así, puede producirse una caída que presentará peligro de heridas u otros accidentes.

Asegúrese de instalar el cable de seguridad.

Deberá utilizar la ménsula de montaje exclusivamente diseñada.

Si no lo hace así, puede producirse una caída que presentará peligro de heridas u otros accidentes.

Emplee la ménsula de montaje exclusivamente diseñada para realizar la instalación.

No instale este producto en lugares sujetos a vibraciones.

La flojedad de los tornillos o pernos de montaje puede ocasionar la caída del producto y el riesgo de sufrir heridas o accidentes.

No golpee este producto y procure que no reciba otros golpes fuertes.

Si no sigue esta indicación, correrá peligro de incendios o heridas.

Instale este producto en un lugar lo suficientemente alto para que ninguna persona ni objeto puedan golpear el producto.

Si no sigue esta indicación, correrá peligro de heridas.

No se cuelgue de este producto ni emplee el producto como un pedestal.

Si no lo hace así, puede producirse una caída con peligro de accidentes.

Precauciones para la instalación

Panasonic no se hace responsable de lesiones o daños a la propiedad que resulten de fallos derivados de una incorrecta instalación o funcionamiento que no se ajuste con esta documentación.

La instalación debe cumplir las regulaciones locales sobre electricidad.

Este producto ha sido diseñado para su utilización en interiores.

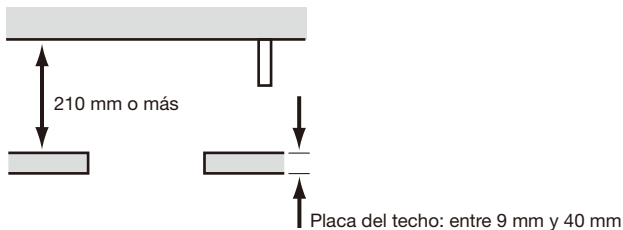
Este producto no puede funcionar al aire libre.

No exponga este producto a la luz directa del sol durante mucho tiempo y no lo instale cerca de una estufa o acondicionador de aire.

De lo contrario, podría producirse deformación, decoloración y mal funcionamiento. Mantenga este producto alejado del agua y de la humedad.

Área de instalación para este producto

- Asegúrese de que el lugar de instalación sea suficientemente fuerte para poder soportar el peso total del conjunto de la cámara antes de realizar la instalación.
- El lugar de instalación deberá tener un espacio de 210 mm o más detrás del techo.



- El espesor de la placa del techo para la instalación deberá ser de 9 mm a 40 mm.

No ponga este producto en los lugares siguientes:

- Lugares en los que pueda mojarse con la lluvia o agua salpicada (incluyendo la parte inferior de los aleros, etc.)
- Lugares en los que se empleen productos químicos como en las piscinas
- Lugares sujetos a humedad o humo grasiento como en la cocina
- Lugares que tengan un entorno especial que estén sujetos a ambientes o solventes inflamables
- Lugares donde se genere radiación, rayos X, ondas de radio potentes o campos magnéticos fuertes
- Lugares en los que se produzca gas corrosivo, lugares en los que pueda dañarse debido al aire con salitre como en la costa del mar
- Lugares en los que la temperatura no esté dentro del margen especificado (-10 °C a +55 °C).
- Lugares sujetos a vibraciones, como pueda ser en el interior de vehículos, embarcaciones o encima de líneas de producción (Este producto no está diseñado para ser empleado dentro de vehículos.)
- Lugares sometidos a condensación de humedad resultante de fuertes cambios de temperaturas

Método de montaje para este producto

Este producto está diseñado para ser utilizado como una cámara de montaje colgado. Si el producto se monta en una mesa o inclinado, es posible que no funcione correctamente y que se acorte su vida de servicio.

Adquiera pernos de anclaje por separado.

El perno de anclaje para montar la ménsula en un techo no se suministra con la ménsula de montaje en el techo.

Prepárelos de acuerdo con el material y la resistencia del lugar donde deba instalarse el producto.

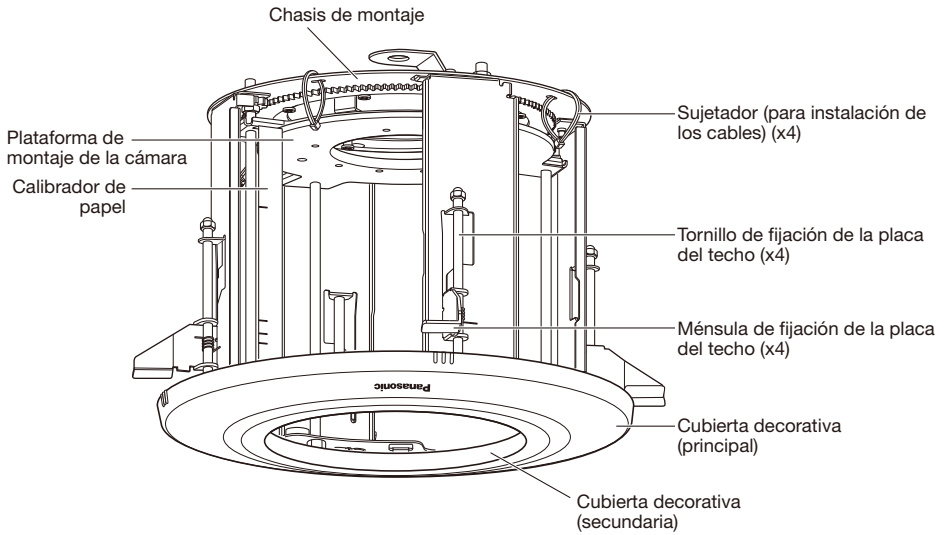
- Perno de anclaje: M10, recomendado
- Resistencia mínima al tiro hacia fuera: Asegúrese de tener resistencia para poder soportar más de 5 veces el peso total incluyendo el cuerpo de la cámara.

Apriete de tornillos

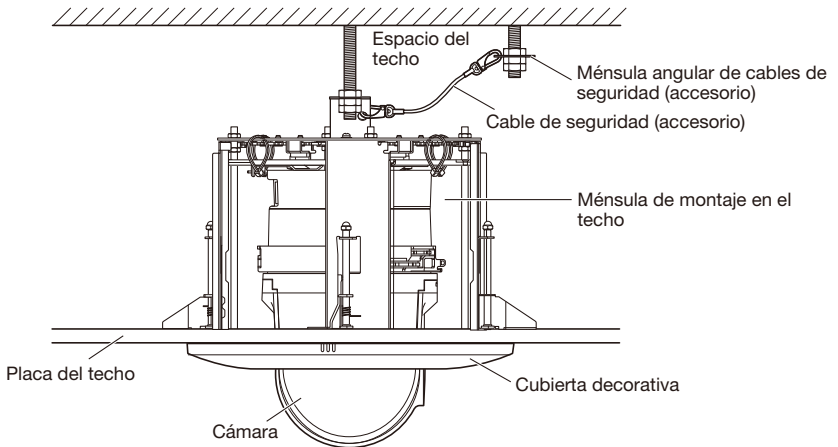
- Los tornillos y pernos deben apretarse a la torsión de apriete apropiada de acuerdo con el material y la resistencia del lugar de instalación.
- No emplee un destornillador de impacto. El empleo de un destornillador de impacto puede causar daños en los tornillos o su apriete excesivo.
- Cuando apriete un tornillo, póngalo en ángulo recto con respecto a la superficie. Después de haber apretado los tornillos o pernos, efectúe comprobaciones para asegurarse de que estén suficientemente apretados de modo que no se produzca movimiento ni flojedad.

No se olvide de desmontar este producto si no se propone seguir utilizándolo.

Principales controles de operación



<Ejemplo de instalación>

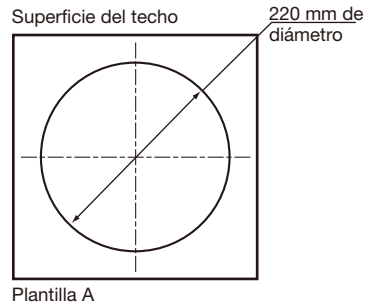


Instalaciones

Asegúrese de leer las "Precauciones" (página 45) y las "Precauciones para la instalación" (página 46) antes de la instalación. Lea también el manual de instrucciones de la cámara que se proponga instalar.

Paso 1

Ponga la plantilla A (accessoria) contra el techo y haga un orificio de 220 mm de diámetro.

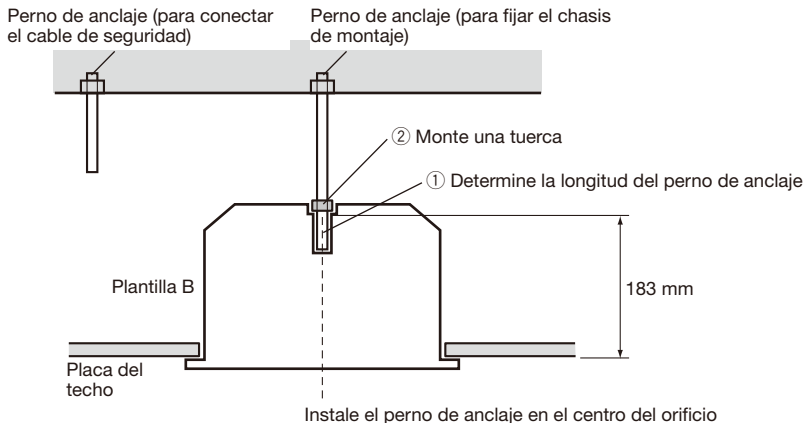


Paso 2

Instale dos pernos de anclaje (M10 recomendados) en el techo.

Un anclaje se empleará para fijar el chasis de montaje, y el otro anclaje se empleará para conectar el cable de seguridad.

- 1 Determine la longitud del perno de anclaje (para fijar el chasis de montaje) empleando la plantilla B (accessoria).
- 2 Ubique la tuerca empleando la plantilla B (accessoria) e instale la tuerca. (La distancia entre las superficies inferiores de la placa del techo y de la tuerca deberá ser de 183 mm.)



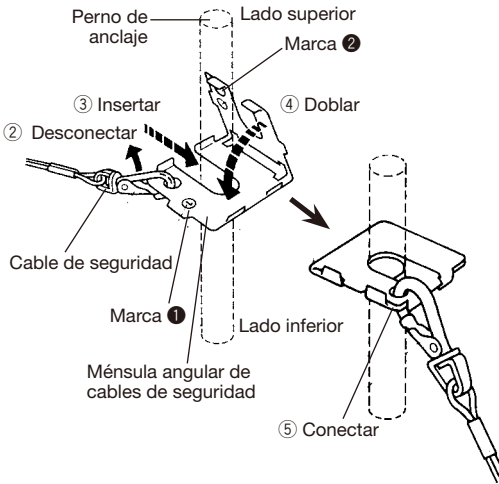
Importante:

- La resistencia al tiro hacia fuera del perno de anclaje deberá ser de más de 5 veces el peso total de los dispositivos instalados (incluyendo el cuerpo de la cámara, la ménsula de montaje en el techo, los pernos de anclaje y todos los demás accesorios).
- Cuando emplee un perno de anclaje existente como perno de anclaje para conectar el cable de seguridad, asegúrese de que la distancia entre el perno de anclaje y la posición de montaje de la cámara sea de 1 m o menos.

Paso 3

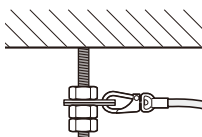
Fije la ménsula angular de cables de seguridad (accessoria) en el perno de anclaje (para conectar el cable de seguridad) y conecte el cable de seguridad (accessorio).

- 1) Instale una tuerca de modo que la ménsula angular de cables de seguridad quede fijada en el perno de anclaje.
- 2) Desconecte el cable de seguridad de la ménsula angular de cables de seguridad.
- 3) Acople la superficie con la marca 1 con el perno de anclaje.
- 4) Doble la superficie con la marca 2.
- 5) Conecte de nuevo el cable de seguridad a la ménsula angular de cables de seguridad.
- 6) Enrosque la tuerca desde debajo y fije la ménsula angular de cables de seguridad con las tuercas superior e inferior.
- 7) Enrosque otra tuerca desde debajo para apretarla y fije la tuerca que se enroscó por debajo en 6 a modo de doble tuerca.



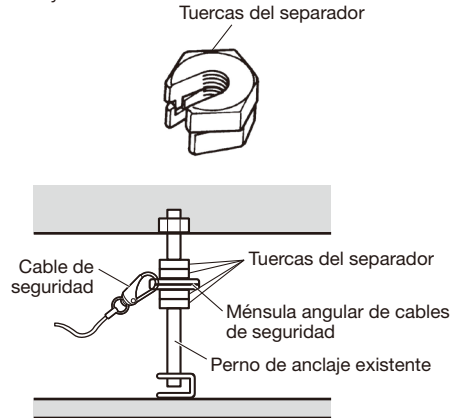
* La tuerca se omite en la ilustración de arriba.

<Imagen de la conexión del cable de seguridad>



Nota:

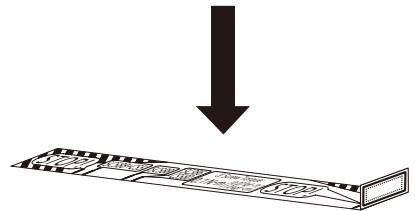
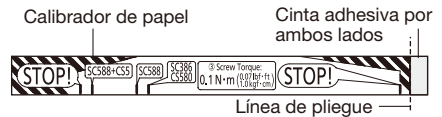
- Cuando se usa un perno de anclaje existente que ya estaba instalado para hacer la conexión del cable de seguridad, el empleo de las 2 tuercas del separador le servirá de ayuda.



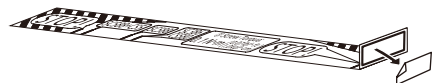
Paso 4

Fije el calibrador de papel (accessorio) a la plataforma de montaje de la cámara.

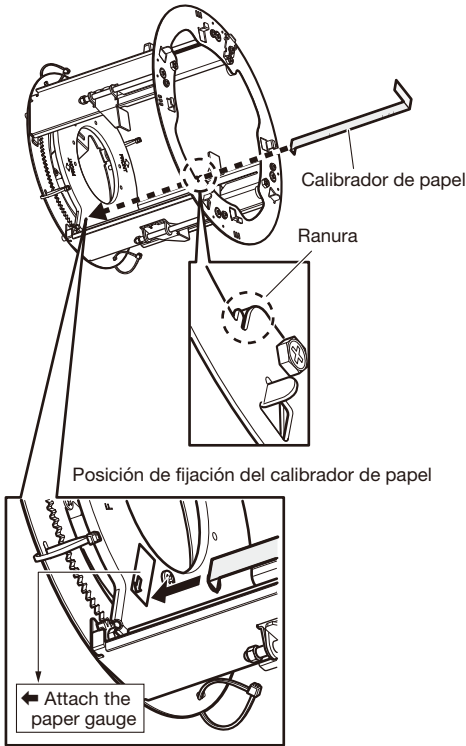
- 1) Pliegue el lado de cinta de adhesión por ambos lados del calibrador de papel en ángulo recto como se muestra en la ilustración.



- 2) Pele el dorso de la cinta adhesiva por ambos lados del calibrador de papel.

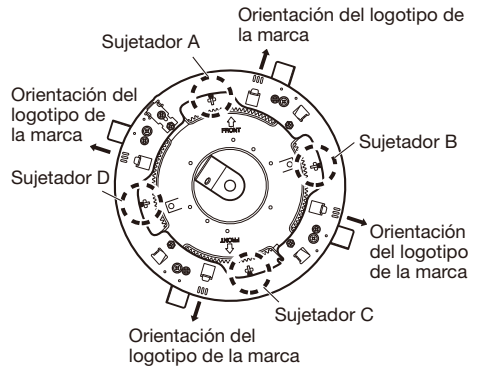


- ③ Gire lateralmente esta ménsula como se muestra en la ilustración siguiente, y fije el calibrador de papel a la plataforma de montaje de la cámara. Fije el calibrador de papel de modo que pase por la ranura mostrada en la ilustración siguiente.

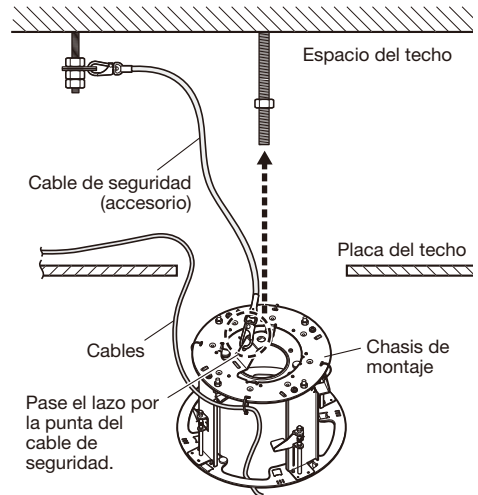


Paso 5

- ① Pase los cables desde el techo a través del lazo del sujetador fijado de antemano a la ménsula de montaje. Los sujetadores usados para el paso de los cables varían según los modelos. La posición por la que pasa el cable se muestra en la ilustración siguiente.
- Modelos que emplean la ménsula de montaje de la cámara (accesorio de la cámara): el sujetador A o el sujetador C de la ilustración siguiente
- Modelos que emplean la unidad de la base (componente de la cámara): el sujetador B o el sujetador D de la ilustración siguiente



- ② Enganche el cable de seguridad al chasis de montaje como se muestra en la ilustración siguiente. Inserte el chasis de montaje en el orificio efectuado en el paso 1 y póngalo en el espacio del techo. En este estado, la orientación del logotipo de montaje de la cubierta decorativa podrá finalmente alinearse con la dirección III del chasis de montaje. Por lo tanto, si le preocupa la orientación del logotipo de la marca, determine la orientación empleando la dirección III.



Paso 6

Fije el chasis de montaje a la placa del techo con los tornillos de fijación para la placa del techo (4 lugares, los tornillos con la etiqueta ①).

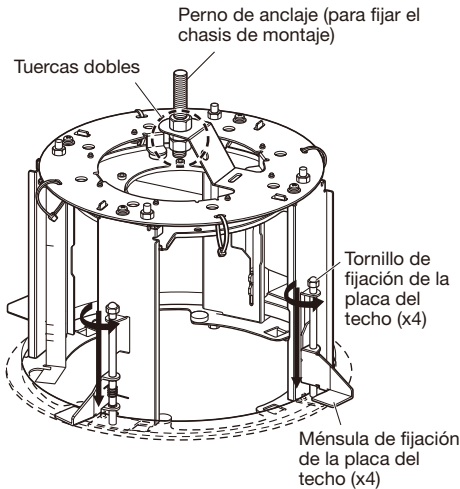
- ① Enganche la parte superior del chasis de montaje al perno de anclaje (para fijar el chasis de montaje).
- ② Fije el chasis de montaje girando hacia la derecha los tornillos de fijación para la placa del techo mirándolo desde debajo. Girando hacia la derecha los tornillos de fijación de la placa del techo entre la parte inferior del chasis de montaje y la ménsula de fijación de la placa del techo, asegurando así el chasis de montaje.

Torsión de apriete recomendada: 0,78 N·m

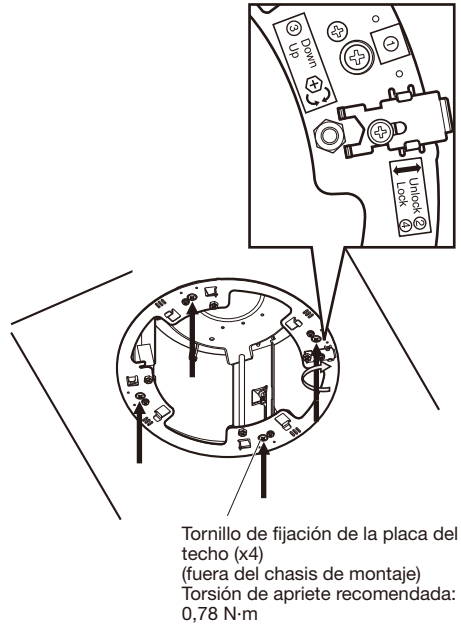
Importante:

- Cuando fije al techo el chasis de montaje, asegúrese de que las 4 ménsulas de fijación de la placa del techo estén abiertas como se muestra en la ilustración ③.
- ③ Fije la parte superior del chasis de montaje con dos tuercas.

<Imagen del espacio del techo>



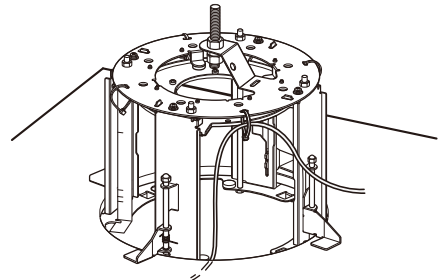
<Imagen de la instalación en una habitación>



Paso 7

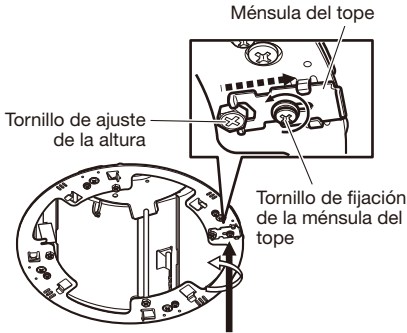
Prepare los cables.

Tienda los cables desde el espacio del chasis de montaje. A continuación se describe la imagen del cableado con la ménsula montada en el techo. Tenga cuidado para que no queden apresados los cables en la ménsula de fijación de la placa del techo o en otros lugares.

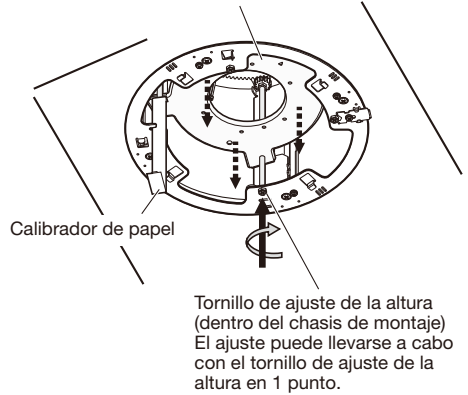


Paso 8

Afloje el tornillo de fijación de la ménsula del tope, deslice la ménsula del tope hacia el exterior de esta ménsula (en el sentido ② de desbloqueo de la etiqueta) y desbloquee el tornillo de ajuste de la altura.



Plataforma de montaje de la cámara

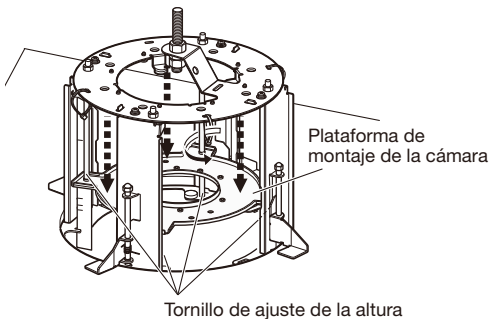


Torsión de apriete: 0,1 N·m

* No aplique una torsión de apriete igual ni superior a 0,29 N·m. Si no sigue esta indicación, correrá peligro de daños.

Paso 9

Gire el tornillo de ajuste de la altura (uno de los 4 puntos) hacia la derecha mirándolo desde debajo (en el sentido ③ hacia abajo de la etiqueta) y mueva la plataforma de montaje de la cámara desde el lado posterior al lado frontal. Entonces, el calibrador de papel fijado a la plataforma de montaje de la cámara descenderá conjuntamente. Tenga cuidado para que no queden apesados los cables entre el chasis de montaje y la plataforma de montaje de la cámara.



Paso 10

Monte la ménsula de montaje de la cámara (accesorio de la cámara) o la unidad de la base (componente de la cámara) en la plataforma de montaje de la cámara.

Cuando se emplee la ménsula de montaje de la cámara:

Alinee la marca \uparrow FRONT de la ménsula de montaje de la cámara con la marca \uparrow FRONT del lado por el que no pasan los cables de la plataforma de montaje de la cámara.

Cuando se emplee la unidad de la base:

Alinee la dirección por la que salen los cables de la unidad de la base con la marca \square del lado por el que pasan los cables de la plataforma de montaje de la cámara.

Emplee los tornillos M4 (accesorios) para fijar la ménsula de montaje de la cámara o la unidad de la base en 4 lugares.

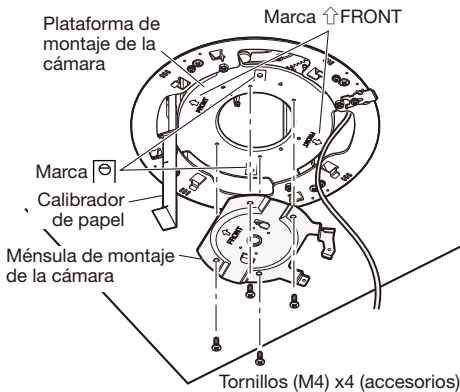
(Torsión de apriete recomendada: 1,57 N·m)

Tienda los cables entre el chasis de montaje y la plataforma de montaje de la cámara y deje que cuelguen los cables.

Cuando se haya montado la unidad de la base, conecte los cables procedentes del techo a los cables procedentes de la unidad de la base.

Nota:

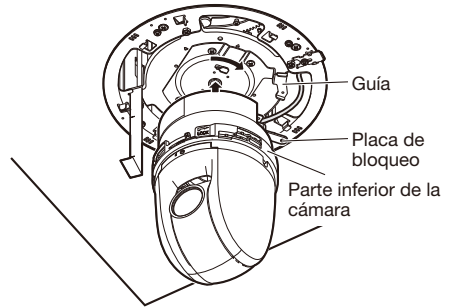
- La selección entre la unidad de la base y la ménsula de montaje de la cámara depende del tipo de cámara.
La unidad de la base es un componente de la cámara y la ménsula de montaje de la cámara es un accesorio de la cámara.
- En las ilustraciones mostradas en las descripciones siguientes, está fijada la ménsula de montaje de la cámara.



Paso 11

Conecte los cables a la cámara, acople la cámara a la ménsula de montaje de la cámara de modo que la parte central inferior de la cámara quede alineada con la parte central de la ménsula de montaje de la cámara como se muestra en la ilustración siguiente, alinee la placa de bloque con la guía y gire la cámara hacia la derecha unos 20 grados mirándola desde debajo para fijar provisionalmente la cámara.

* Consulte la guía de instalación de la cámara para ver los detalles sobre el procedimiento de instalación de la cámara.

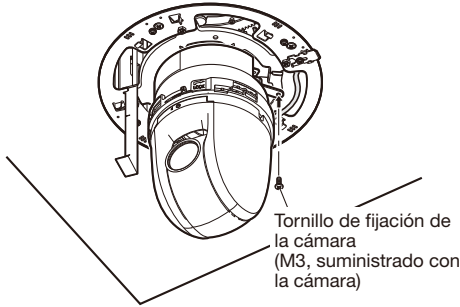


Importante:

- No permita que queden apesados los cables durante el trabajo de instalación.
- Asegúrese de montarla mientras sostiene la cámara por la parte inferior. Si monta la cámara sosteniéndola por la parte del domo, puede producirse mal funcionamiento.

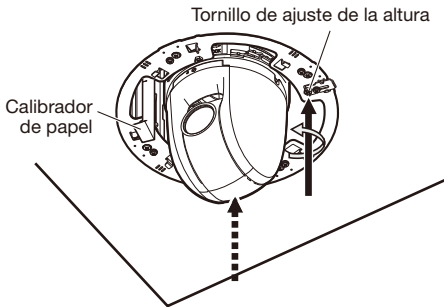
Paso 12

Fije el cuerpo de la cámara a la ménsula de montaje de la cámara (suministrada con la cámara) empleando un tornillo de fijación de la cámara (M3, suministrado con la cámara).
(Torsión de apriete recomendada: 0,68 N·m)



Paso 13

Gire el tornillo de ajuste de la altura (uno de los 4 puntos) hacia la izquierda mirándolo desde debajo (en el sentido ③ hacia arriba de la etiqueta) y levante la plataforma de montaje de la cámara hasta la posición en la que se muestra el número de modelo en el calibrador de papel.



Torsión de apriete: 0,1 N·m

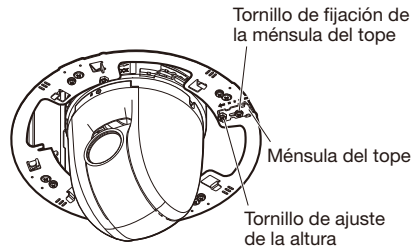
* No aplique una torsión de apriete igual ni superior a 0,29 N·m. Si no sigue esta indicación, correrá peligro de daños.

Nota:

- Después de haber ajustado la altura de la cámara, extraiga el calibrador de papel de esta ménsula y tírelo.

Paso 14

Empuje la ménsula del tope (en el sentido de bloqueo ④ de la etiqueta) y bloquee el tornillo de ajuste de la altura. Fije la ménsula del tope con el tornillo de fijación de la ménsula del tope.

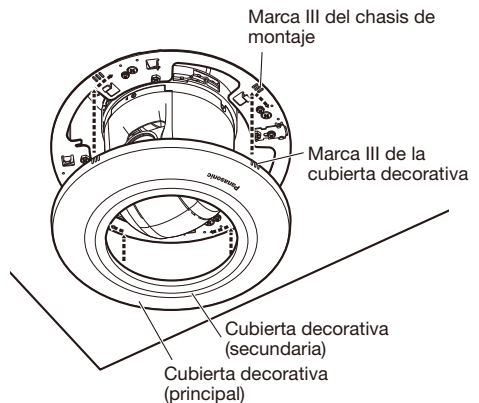


Paso 15

Extraiga la lámina protectora del objetivo de la cámara.

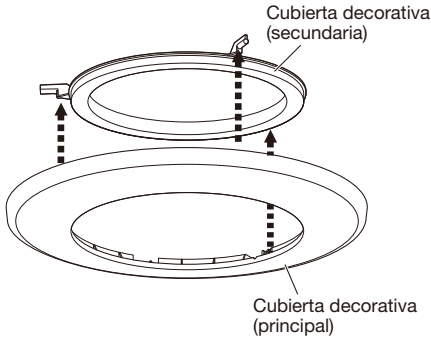
Paso 16

Alinee la marca III de la cubierta decorativa suministrada con esta ménsula, con la marca III del chasis de montaje, empuje la cubierta decorativa contra el techo y gire entonces la cubierta decorativa hacia la derecha, mirándola desde debajo, para fijar la cubierta.



Nota:

- Cuando la cámara se empotra en el techo empleando esta ménsula, no se usa la cubierta decorativa suministrada con la cámara.
 - Cuando instale esta ménsula con la WV-CS5S/WV-CS5C (cubierta del domo) montada en la WV-SC588 (cámara de red), extraiga la cubierta decorativa (secundaria) de la cubierta decorativa (principal).
 - En otros casos, emplee esta ménsula con la cubierta decorativa (secundaria) montada en la cubierta decorativa (principal).
-



Especificaciones

Temperatura ambiental de funcionamiento:	-10 °C a +55 °C
Dimensiones:	245 mm de diámetro x 203 mm (Al) (incluyendo la cubierta decorativa)
Masa:	Aprox. 1,3 kg
Acabado:	Cuerpo principal: Chapa de acero con tratamiento de superficie Cubierta decorativa: Resina ABS (Color de la resina: blanco vela, plateado)

Accesorios estándar

Manual de instrucciones (este documento) 1 ejemplar

Lo siguiente es para la instalación

Cable de seguridad	1 pieza
Ménsula angular de cables de seguridad	1 pieza
Plantilla A.....	1 lámina
Plantilla B	1 lámina
Cubiertas decorativas (secundaria y principal), blanco vela, plateado.....	1 pieza de cada
Tornillo (M4)	5 piezas (incluyendo 1 de repuesto)
Calibrador de papel	1 lámina

Indice

Caratteristiche	59
Precauzioni	59
Precauzioni per l'installazione	60
Principali controlli operativi	62
Installazioni	63
Dati tecnici	71
Accessori standard	71

Caratteristiche

Questa staffa di montaggio a soffitto è progettata esclusivamente per montare la telecamera su un soffitto. Far riferimento al catalogo o al manuale di istruzioni della telecamera per ulteriori informazioni riguardo ai modelli compatibili.

Questa staffa può essere utilizzata per un'area con una scarsa resistenza alla trazione come pannelli di cartongesso in un controsoffitto. Questa staffa è del tipo ad incasso per ridurre la porzione esposta del corpo della telecamera.

Precauzioni

Rivolgersi al rivenditore per i lavori di installazione.

I lavori di installazione richiedono tecnica ed esperienza.

La mancata osservanza di questa precauzione può causare incendi, scosse elettriche, ferite o danni al prodotto.

Non esitare a rivolgerti al rivenditore.

Evitare di installare questa staffa in posizioni dove si verificano danni da sale o viene prodotto gas corrosivo.

In caso contrario, le parti di montaggio si deterioreranno e potranno verificarsi incidenti quali la caduta di questo prodotto.

Le viti ed i bulloni devono essere stretti con la coppia di torsione specificata.

L'allentamento delle viti o dei bulloni di montaggio può causare la caduta del prodotto e provocare ferite o incidenti.

Non utilizzare questa staffa se non con telecamere idonee

La mancata osservanza di questa precauzione può causare una caduta e provocare ferite.

Selezionare un'area di installazione che possa supportare il peso totale.

La selezione di una superficie di installazione non appropriata può causare la caduta o il rovesciamento di questo prodotto, procurando ferite o incidenti.

Il lavoro di installazione deve essere iniziato dopo aver eseguito un sufficiente rinforzo.

Non sfregare i bordi delle parti metalliche con le mani.

Un forte sfregamento può causare ferite.

Si devono compiere ispezioni periodiche.

La ruggine sulle parti metalliche o sulle viti può causare la caduta del prodotto e provocare ferite o incidenti.

Rivolgersi al rivenditore per le ispezioni.

Si devono implementare misure di protezione contro la caduta di questo prodotto.

La mancata osservanza di questa precauzione può causare una caduta e provocare ferite o incidenti.

Assicurarsi di installare il cavo di sicurezza.

Si deve utilizzare la staffa di montaggio appositamente progettata.

La mancata osservanza di questa precauzione può causare una caduta e provocare ferite o incidenti.

Utilizzare la staffa di montaggio progettata appositamente per l'installazione.

Non installare questo prodotto in posizioni soggette a vibrazioni.

L'allentamento delle viti o dei bulloni di montaggio può causare la caduta del prodotto e provocare ferite o incidenti.

Non colpire o scuotere con forza questo prodotto.

La mancata osservanza di questa precauzione può causare incendi o ferite.

Installare questo prodotto in una posizione sufficientemente alta per evitare che persone e oggetti urtino il prodotto.

La mancata osservanza di questa precauzione può causare ferite.

Non appendersi a questo prodotto e non utilizzare il prodotto come piedistallo.

La mancata osservanza di questa precauzione può causare una caduta e provocare incidenti.

Precauzioni per l'installazione

Panasonic non potrà essere considerata responsabile per danni patrimoniali e/o non patrimoniali a cose e/o persone derivanti da installazione o funzionamento eseguiti in modo non conforme al presente documento.

L'installazione deve essere conforme alla normativa elettrica locale.

Questo prodotto è stato progettato per essere utilizzato all'interno.

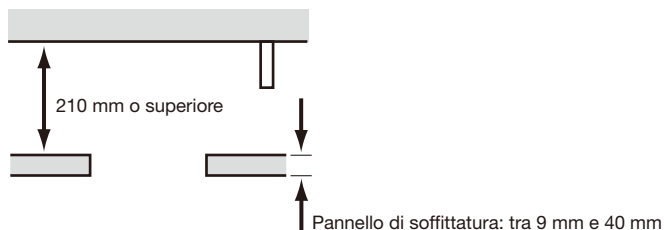
Questo prodotto non è utilizzabile all'esterno.

Non esporre questo prodotto alla luce solare diretta per ore e non installare il prodotto vicino ad un riscaldatore o ad un condizionatore d'aria.

In caso contrario, si possono causare deformazione, scolorimento e un cattivo funzionamento. Tenere questo prodotto lontano da acqua e umidità.

Area di installazione di questo prodotto

- Accertarsi che l'area di installazione sia sufficientemente robusta per sostenere il peso totale del gruppo della telecamera prima dell'installazione.
- L'area di installazione deve avere uno spazio di 210 mm o superiore dietro la soffittatura.



- Lo spessore del pannello di soffittatura per l'installazione può essere compreso tra 9 mm e 40 mm.

Non collocare questo prodotto nelle seguenti posizioni:

- Posizioni dove si può bagnare a causa di pioggia o schizzi d'acqua (incluso sotto grondaie, etc.)
- Posizioni dove viene utilizzato un agente chimico quali una piscina
- Posizioni soggette ad umidità o fumi oleosi quali una cucina
- Posizioni in ambienti specifici soggetti ad un'atmosfera infiammabile o a solventi
- Posizioni dove vengono generate radiazioni, raggi X, forti onde radio o un forte campo magnetico
- Posizioni dove vengono prodotti gas corrosivi, posizioni dove possono essere causati danni dall'aria salmastra quali la riva del mare
- Posizioni dove la temperatura non è compresa nel range specificato (da $-10\text{ }^{\circ}\text{C}$ a $+55\text{ }^{\circ}\text{C}$)
- Posizioni soggette a vibrazioni, come su veicoli, natanti, linee di produzione (questo prodotto non è progettato per l'utilizzo su veicoli.)
- Posizioni soggette a condensazione come risultato di drastici cambiamenti della temperatura

Metodo di montaggio di questo prodotto

Questo prodotto è stato progettato per essere utilizzato come telecamera a montaggio sospeso. Se il prodotto viene montato su un piano di lavoro o inclinato, può non funzionare correttamente e la sua durata di vita può accorciarsi.

Procurarsi separatamente i bulloni di ancoraggio.

Il bullone di ancoraggio per il montaggio della staffa su un soffitto non è fornito con la staffa di montaggio a soffitto.

Prepararli a seconda del materiale e della robustezza dell'area dove si deve installare il prodotto.

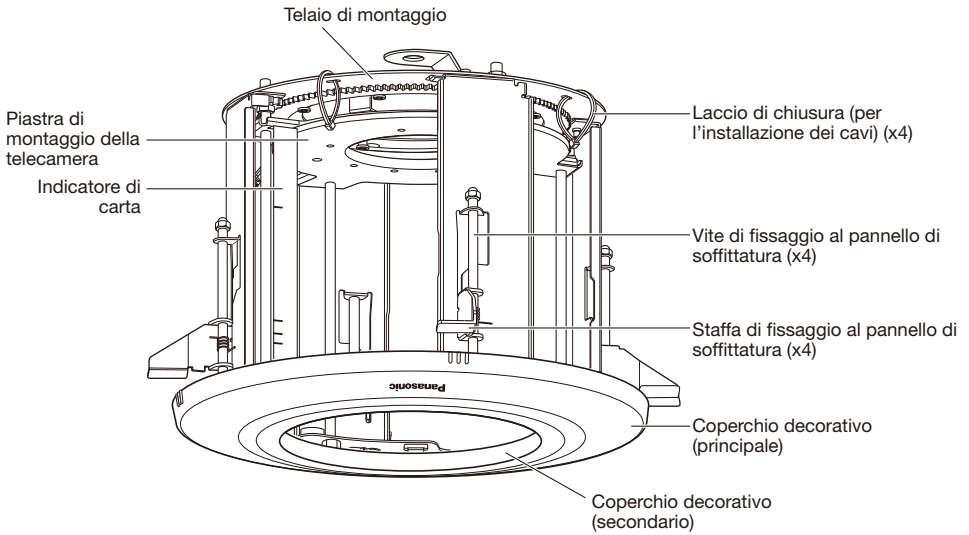
- Bullone di ancoraggio: M10, consigliato
- Resistenza alla trazione minima: Assicurarsi che possa essere supportato un peso superiore a 5 volte il peso totale incluso il corpo della telecamera.

Avvitamento delle viti

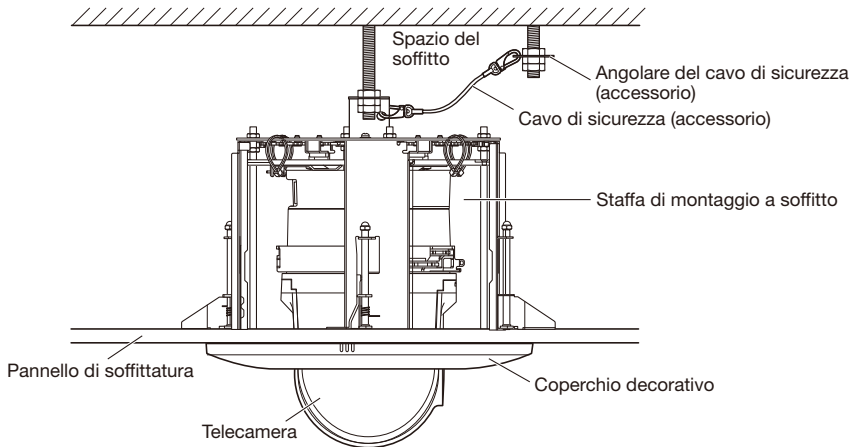
- Le viti ed i bulloni devono essere stretti con una coppia di torsione dell'avvitamento adeguato a seconda del materiale e della robustezza dell'area di installazione.
- Non utilizzare un avvitatore ad impatto. L'utilizzo di un avvitatore ad impatto può danneggiare le viti o causare un avvitamento eccessivo.
- Quando si stringe una vite, posizionare la vite ad angolo retto rispetto alla superficie. Dopo aver stretto le viti o i bulloni, eseguire controlli per accertarsi che l'avvitamento sia sufficiente ad assicurare che non ci sia movimento o gioco.

Assicurarsi di rimuovere questo prodotto se non verrà più utilizzato.

Principali controlli operativi



<Esempio di installazione>

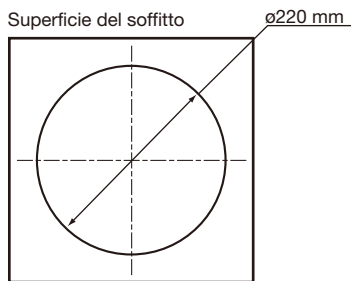


Installazioni

Assicurarsi di aver letto "Precauzioni" (☞ pagina 59) e "Precauzioni per l'installazione" (☞ pagina 60) prima dell'installazione. Leggere anche il manuale di istruzioni della telecamera da installare.

Passaggio 1

Posizionare la sagoma A (accessorio) contro il soffitto e praticare un foro di $\varnothing 220$ mm.



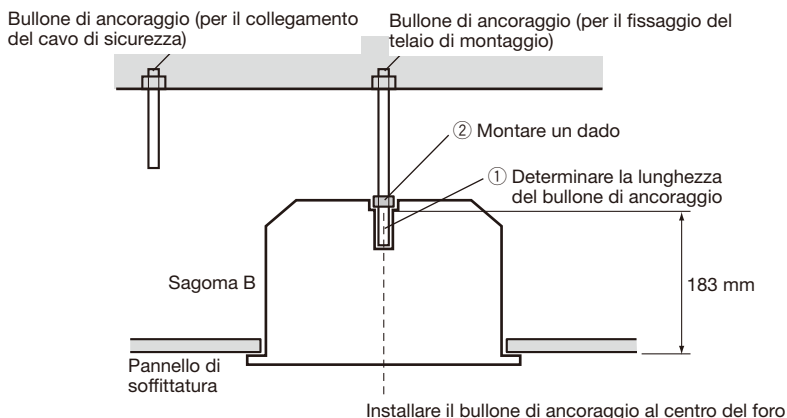
Sagoma A

Passaggio 2

Installare due bulloni di ancoraggio (consigliati M10) nel soffitto.

Un ancoraggio viene utilizzato per fissare il telaio di montaggio e l'altro ancoraggio viene utilizzato per collegare il cavo di sicurezza.

- ① Determinare la lunghezza del bullone di ancoraggio (per fissare il telaio di montaggio) utilizzando la sagoma B (accessorio).
- ② Posizionare il dado utilizzando la sagoma B (accessorio) e montare il dado. (La distanza tra le superfici inferiori del pannello di soffittatura e del dado deve essere di 183 mm.)



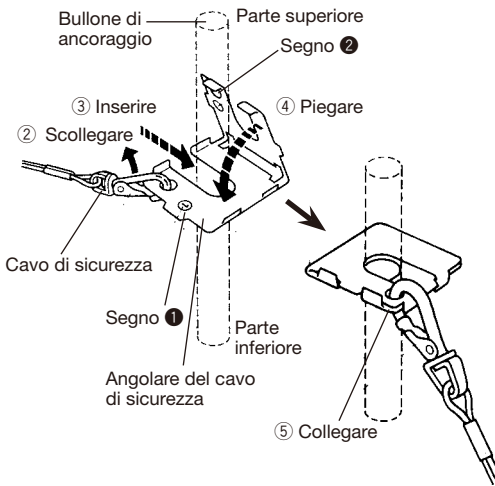
IMPORTANTE:

- La resistenza alla trazione del bullone di ancoraggio deve essere superiore a 5 volte il peso totale dei dispositivi installati (inclusi il corpo della telecamera, la staffa di montaggio a soffitto, i bulloni di ancoraggio e tutte le altre parti).
- Quando si utilizza un bullone di ancoraggio esistente come bullone di ancoraggio per collegare il cavo di sicurezza, assicurarsi che la distanza tra il bullone di ancoraggio e la posizione di montaggio della telecamera sia di 1 m o inferiore.

Passaggio 3

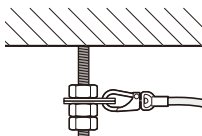
Fissare l'angolare del cavo di sicurezza (accessorio) al bullone di ancoraggio (per il collegamento del cavo di sicurezza) e collegare il cavo di sicurezza (accessorio).

- ① Montare un dado in modo che l'angolare del cavo di sicurezza sia fissato sul bullone di ancoraggio.
- ② Scollegare il cavo di sicurezza dall'angolare del cavo di sicurezza.
- ③ Innestare il lato contrassegnato con ❶ sul bullone di ancoraggio.
- ④ Piegare il lato contrassegnato con ❷.
- ⑤ Collegare nuovamente il cavo di sicurezza all'angolare del cavo di sicurezza.
- ⑥ Innestare il dado da sotto e fissare l'angolare del cavo di sicurezza con i dadi superiore e inferiore.
- ⑦ Innestare un altro dado da sotto per stringere e fissare il dado che è stato innestato da sotto in ⑥ come in un doppio dado.



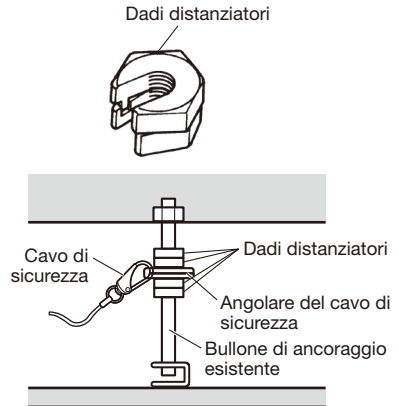
* Il dado è omissa nella precedente illustrazione.

<Immagine del collegamento del cavo di sicurezza>



Nota:

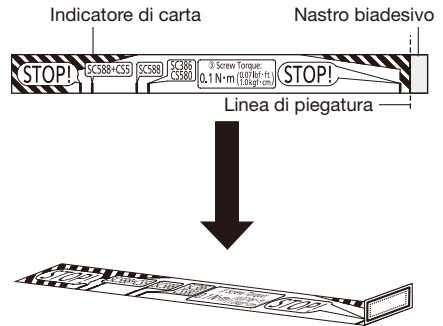
- Quando si utilizza il bullone di ancoraggio esistente già installato per collegare il cavo di sicurezza, è d'aiuto l'utilizzo di 2 dadi distanziatori.



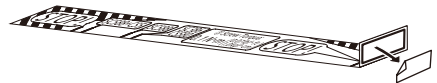
Passaggio 4

Fissare l'indicatore di carta (accessorio) sulla piastra di montaggio della telecamera.

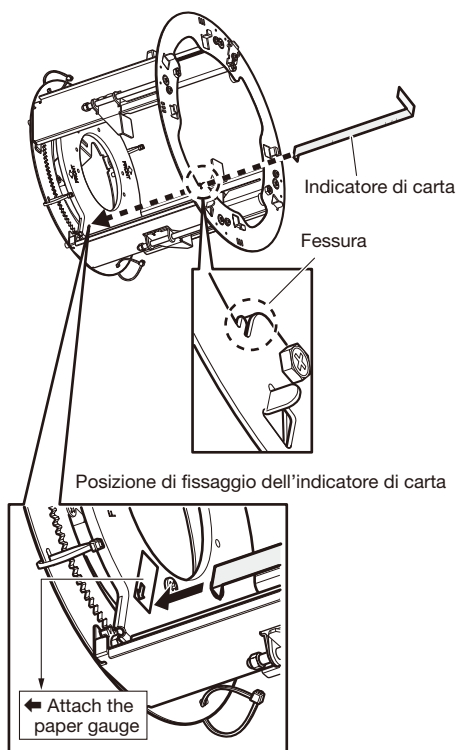
- ① Piegare ad angolo retto il lato con il nastro biadesivo dell'indicatore di carta come illustrato nel disegno.



- ② Staccare la pellicola posteriore dal nastro biadesivo dell'indicatore di carta.

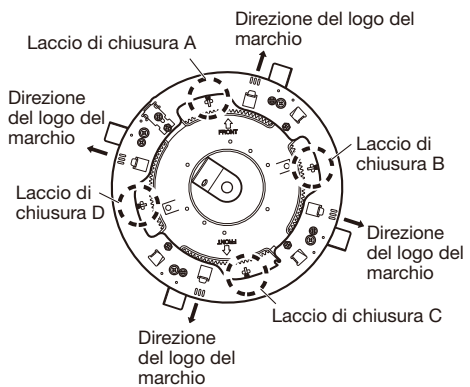


- ③ Piegare di lato la staffa come illustrato nel disegno seguente e attaccare l'indicatore di carta alla piastra di montaggio della telecamera. Attaccare l'indicatore di carta in modo che passi attraverso la fessura indicata nel disegno seguente.

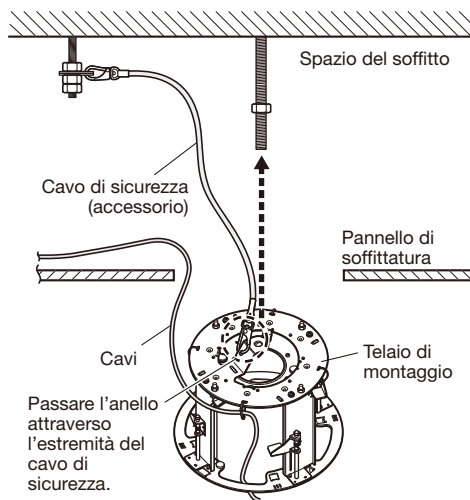


Passaggio 5

- ① Far passare i cavi dal soffitto attraverso l'anello del laccio di chiusura attaccato alla staffa di montaggio in precedenza. I lacci di chiusura utilizzati per il passaggio dei cavi variano a seconda dei modelli. La posizione del passaggio dei cavi si trova nel disegno seguente.
- Modelli che utilizzano la staffa di montaggio della telecamera (accessorio della telecamera): laccio di chiusura A o laccio di chiusura C nel disegno seguente
- Modelli che utilizzano la base (componente della telecamera): laccio di chiusura B o laccio di chiusura D nel disegno seguente



- ② Fissare il cavo di sicurezza al telaio di montaggio come illustrato nel disegno seguente. Inserire il telaio di montaggio nel foro praticato nel passaggio 1 e posizionarlo nello spazio del soffitto.
- In questo momento, si può allineare la direzione del logo per quando si monterà alla fine il coperchio decorativo con la direzione III del telaio di montaggio.
- Pertanto, se si è interessati alla direzione del logo del marchio, determinare la direzione utilizzando la direzione III.



Passaggio 6

Fissare il telaio di montaggio al pannello di soffittatura con le viti per il fissaggio al pannello di soffittatura (4 posizioni, viti con l'etichetta ①).

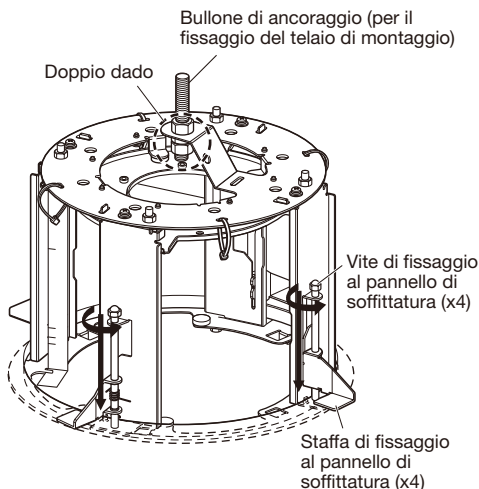
- ① Innestare la parte superiore del telaio di montaggio sul bullone di ancoraggio (per fissare il telaio di montaggio).
- ② Fissare il telaio di ancoraggio girando le viti per il fissaggio al pannello di soffittatura in senso orario guardando da sotto. Avvitando le viti per il fissaggio al pannello di soffittatura in senso orario si esegue il fissaggio al pannello di soffittatura tra la parte inferiore del telaio di montaggio e la staffa di fissaggio al pannello di soffittatura, il che garantisce un fissaggio sicuro del telaio di montaggio.

Coppia di torsione dell'avvitamento consigliata: 0,78 N·m

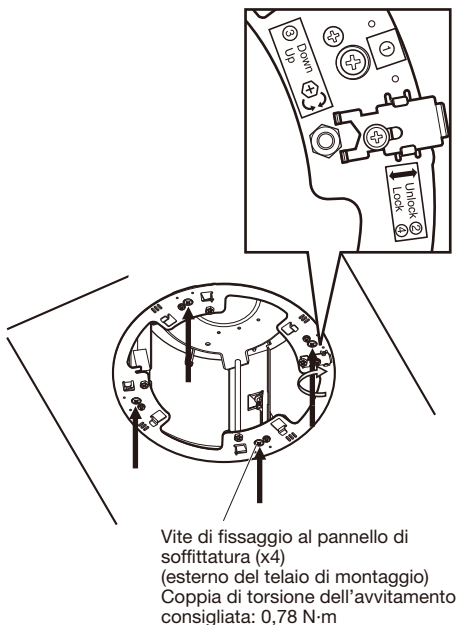
IMPORTANTE:

- Quando si fissa il telaio di montaggio sul soffitto, assicurarsi che le 4 staffe di fissaggio al pannello di soffittatura siano aperte come indicato nella figura ③.
- ③ Fissare la parte superiore del telaio di montaggio con dadi doppi.

<Immagine dello spazio del soffitto>



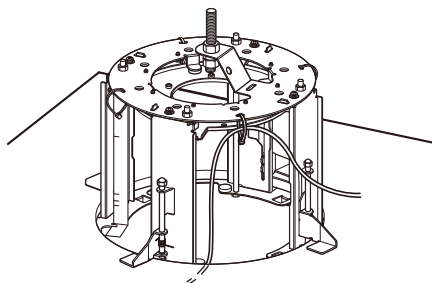
<Immagine dell'installazione in una stanza>



Passaggio 7

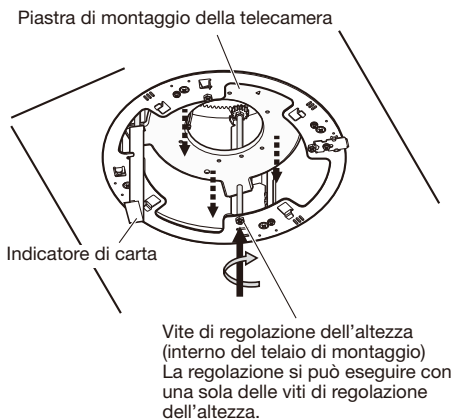
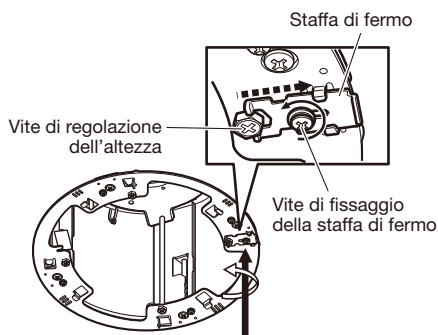
Preparare i cavi.

Far correre i cavi tra lo spazio del telaio di montaggio. L'immagine del cablaggio con la staffa montata sul soffitto viene descritta sotto. Prestare attenzione a prevenire che i cavi vengano pizzicati sulla staffa di fissaggio al pannello di soffittatura o altro.



Passaggio 8

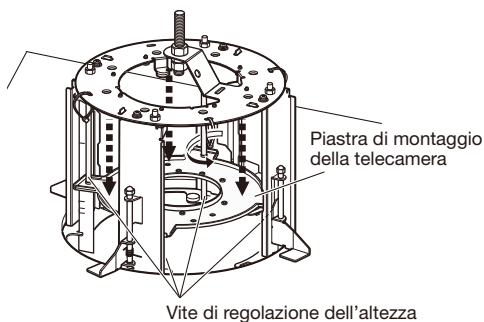
Allentare la vite di fissaggio della staffa di fermo, far scorrere la staffa di fermo verso l'esterno di questa staffa (nella direzione di sblocco ② dell'etichetta) e sbloccare la vite di regolazione dell'altezza.



Coppia di torsione dell'avvitamento: 0,1 N·m
* Non applicare una coppia di torsione uguale o superiore a 0,29 N·m. La mancata osservanza di questa precauzione può causare danni.

Passaggio 9

Ruotare la vite di regolazione dell'altezza (uno dei 4 punti) in senso orario guardando da sotto (nella direzione ③ verso il basso dell'etichetta) e spostare la piastra di montaggio della telecamera da dietro verso il lato anteriore. In questo momento, l'indicatore di carta attaccato alla piastra di montaggio della telecamera scende insieme ad essa. Prestare attenzione a prevenire che i cavi vengano pizzicati tra il telaio di montaggio e la piastra di montaggio della telecamera.



Passaggio 10

Montare la staffa di montaggio della telecamera (accessorio della telecamera) o la base (componente della telecamera) sulla piastra di montaggio della telecamera.

Quando si utilizza la staffa di montaggio della telecamera:

Allineare il segno \uparrow FRONT della staffa di montaggio della telecamera con il segno \uparrow FRONT sul lato in cui non vengono passati i cavi della piastra di montaggio della telecamera.

Quando si utilizza la base:

Allineare la direzione in cui escono i cavi della base con il segno \square sul lato della piastra di montaggio della telecamera in cui vengono passati i cavi.

Utilizzare viti M4 (accessori) per fissare la staffa di montaggio della telecamera o la base in 4 punti.

(Coppia di torsione dell'avvitamento consigliata: 1,57 N·m)

Distendere i cavi tra il telaio di montaggio e la piastra di montaggio della telecamera e lasciare pendere i cavi.

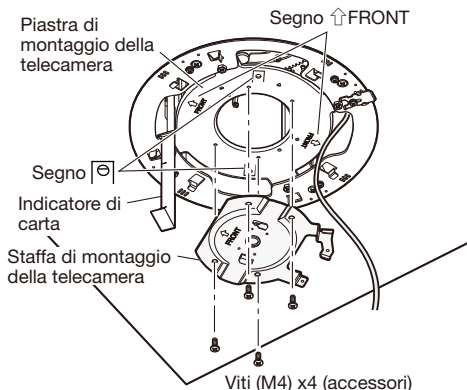
Una volta montata la base, collegare i cavi dal soffitto ai cavi dalla base.

Nota:

- La selezione tra la base e la staffa di montaggio della telecamera dipende dal tipo della telecamera.

La base è un componente della telecamera e la staffa di montaggio della telecamera è un accessorio della telecamera.

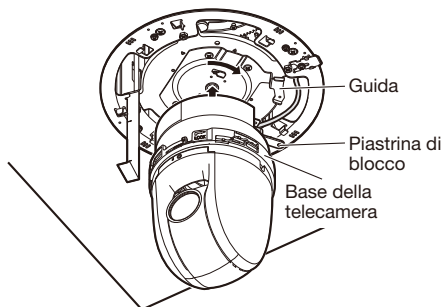
- La staffa di montaggio della telecamera è installata nelle figure riportate nelle descrizioni seguenti.



Passaggio 11

Collegare i cavi alla telecamera, innestare la telecamera sulla staffa di montaggio della telecamera in modo che il centro della parte inferiore della telecamera sia allineato al centro della staffa di montaggio della telecamera come illustrato nel disegno sotto, allineare la piastrina di blocco con la guida e ruotare la telecamera in senso orario di circa 20 gradi guardando da sotto per fissare temporaneamente la telecamera.

* Far riferimento alla guida all'installazione della telecamera per dettagli su come installare la telecamera.

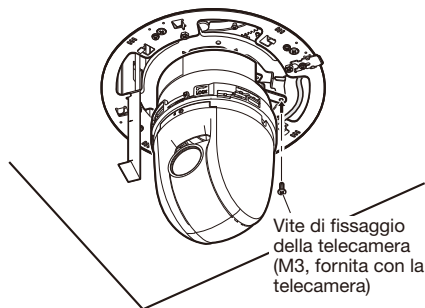


IMPORTANTE:

- Non lasciare che i cavi vengano pizzicati durante i lavori di installazione.
- Assicurarsi di eseguire il montaggio sostenendo la base della telecamera. Il montaggio della telecamera sostenendo la parte a cupola può causare un cattivo funzionamento.

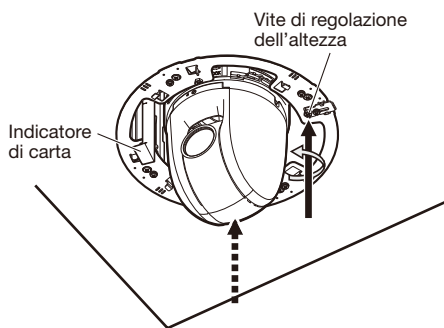
Passaggio 12

Fissare il corpo della telecamera alla staffa di montaggio della telecamera (fornita con la telecamera) utilizzando una vite di fissaggio della telecamera (M3, fornita con la telecamera).
(Coppia di torsione dell'avvitamento consigliata: 0,68 N·m)



Passaggio 13

Ruotare la vite di regolazione dell'altezza (uno dei 4 punti) in senso antiorario (nella direzione ③ verso l'alto dell'etichetta) guardando da sotto e sollevare la piastra di montaggio della telecamera nella posizione del numero del modello utilizzato visualizzato sull'indicatore di carta.



Coppia di torsione dell'avvitamento: 0,1 N·m

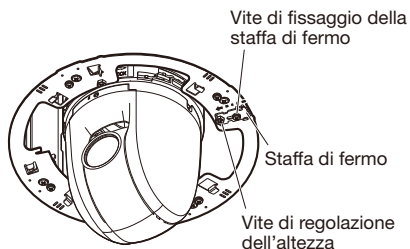
* Non applicare una coppia di torsione uguale o superiore a 0,29 N·m. La mancata osservanza di questa precauzione può causare danni.

Nota:

- Dopo aver regolato l'altezza della telecamera, rimuovere l'indicatore di carta da questa staffa e buttarlo via.

Passaggio 14

Spingere la staffa di fermo (nella direzione di blocco ④ dell'etichetta) e bloccare la vite di regolazione dell'altezza. Fissare la staffa di fermo con la vite di fissaggio della staffa di fermo.

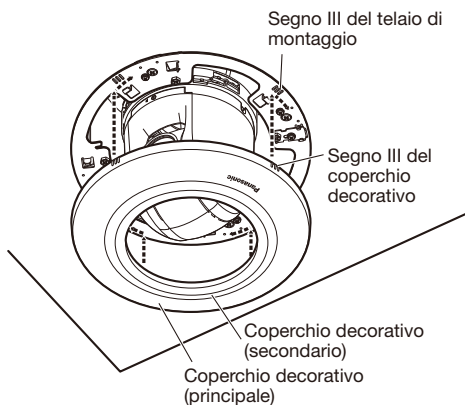


Passaggio 15

Rimuovere la pellicola di protezione dall'obiettivo della telecamera.

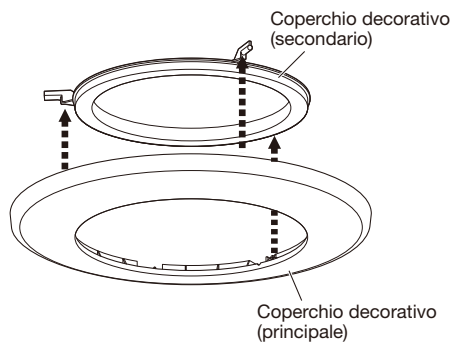
Passaggio 16

Allineare il segno III del coperchio decorativo fornito con questa staffa con il segno III del telaio di montaggio, premere il coperchio decorativo contro il soffitto e ruotare il coperchio decorativo in senso orario guardando da sotto per fissare il coperchio.



Nota:

- Quando la telecamera viene incassata nel soffitto utilizzando questa staffa, il coperchio decorativo fornito con la telecamera non viene utilizzato.
 - Quando si installa questa staffa con il WV-CS5S/WV-CS5C (coperchio a cupola) montato sulla WV-SC588 (telecamera di rete), rimuovere il coperchio decorativo (secondario) dal coperchio decorativo (principale).
 - Negli altri casi, utilizzare questa staffa con il coperchio decorativo (secondario) attaccato al coperchio decorativo (principale).
-



Dati tecnici

Temperatura ambiente di funzionamento:	Da -10 °C a +55 °C
Dimensioni:	ø245 mm x 203 mm (H) (incluso il coperchio decorativo)
Massa:	Circa 1,3 kg
Finitura:	Corpo principale: Lamiera di acciaio con superficie trattata Coperchio decorativo: Resina ABS (colore della resina: bianco vela, argento)

Accessori standard

Manuale di istruzioni (questo documento)	1 set
Quanto segue è per l'installazione	
Cavo di sicurezza	1 pz.
Angolare del cavo di sicurezza.....	1 pz.
Sagoma A	1 foglio
Sagoma B	1 foglio
Coperchi decorativi (secondario e principale), bianco vela, argento	1 pz. cad.
Vite (M4)	5 pz. (inclusa 1 di riserva)
Indicatore di carta.....	1 foglio

Содержание

Характеристики	73
Меры предосторожности.....	73
Меры предосторожности при монтаже.....	74
Основные органы управления и контроля	76
Монтаж.....	77
Технические характеристики	85
Стандартные аксессуары	85

Характеристики

Этот потолочный монтажный кронштейн специально разработан для монтажа камеры на потолок. См. каталог или инструкции по эксплуатации камеры для получения дополнительной информации о совместимых моделях.

Этот кронштейн может использоваться для области со слабой прочностью на выдергивание, такой как гипсокартон в двойном потолке. Данный кронштейн является встроеным для уменьшения открытого участка корпуса камеры.

Меры предосторожности

Монтажные работы следует поручить дилеру.

Монтажные работы требуют технических навыков и опыта.

Несоблюдение этого требования может привести к пожару, поражению электрическим током, травмам или повреждению изделия.

Нужно обязательно обращаться к дилеру.

Следует избегать установки данного кронштейна в местах, где возникает солевое повреждение, либо выделяется агрессивный газ.

В противном случае будет возникать ухудшение качества мест монтажа, что может привести к авариям, таким как падение данного изделия.

Винты и болты должны быть затянуты с установленным крутящим моментом.

Ослабление крепежных винтов или болтов может вызвать падение прибора и, как следствие, травмирование или аварии.

Используйте данный кронштейн только с подходящими камерами

Несоблюдение данного требования может привести к падению устройства, ведущему к травмированию.

Необходимо выбрать место монтажа, которое может выдержать общую массу.

Выбор неподходящей монтажной поверхности может вызвать падение или опрокидывание настоящего прибора и, как следствие, привести к травмам или несчастным случаям.

К монтажным работам следует приступить после тщательного проведения технических мероприятий по усилению и укреплению.

Не следует вытирать края металлических деталей рукой.

Сильное трение может привести к травме.

Следует выполнять периодические проверки.

Ржавчина металлических деталей или винтов может вызвать падение прибора, ведущее к травмированию или авариям.

За проверками следует обращаться к дилеру.

Необходимо принять меры предосторожности против падения данного прибора.

Несоблюдение данного требования может привести к падению прибора, ведущему к травмированию или авариям.

Обязательно установите страховочного троса для предотвращения падения.

Следует использовать монтажный кронштейн, эксклюзивно предназначенный для монтажа данного прибора.

Несоблюдение данного требования может привести к падению прибора, ведущему к травмированию или авариям.

Следует использовать монтажный кронштейн, эксклюзивно предназначенный для монтажа данного прибора.

Не следует монтировать данный прибор в местах, подверженных воздействию вибраций.

Ослабление крепежных винтов или болтов может вызвать падение прибора и, как следствие, травмирование или аварии.

Нельзя наносить сильных ударов или толчков по данному прибору.

Несоблюдение этого требования может привести к пожару или травмированию.

Следует устанавливать данный прибор на достаточно высокое место во избежание удара людей и объектов о него.

Несоблюдение этого требования может привести к травмированию.

Не следует держаться на приборе или использовать его в качестве подножки.

Несоблюдение данного требования может привести к падению устройства, ведущему к несчастным случаям.

Меры предосторожности при монтаже

Panasonic не несет ответственности за травмы и материальный ущерб, причиненный вследствие неправильной установки или эксплуатации не в соответствии с данной документацией.

Установка должна выполняться в соответствии с местными электротехническими правилами и нормами.

Данное изделие предназначено для эксплуатации в помещении.

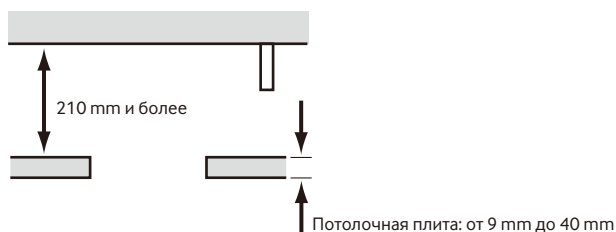
Данное изделие не может эксплуатироваться под открытым небом.

Не следует подвергать данное изделие воздействию прямой солнечной радиации в течение длительного времени и не следует монтировать изделие в непосредственной близости от отопителя или кондиционера воздуха.

В противном случае может возникнуть деформация, обесцвечивание и отказ прибора. Следует защищать данное изделие от воздействия воды и влаги.

Зона под монтаж данного прибора

- Перед установкой следует убедиться, что зона под монтаж достаточно прочна для выдерживания общего веса камеры в сборе.
- Место монтажа должно иметь 210 мм или более места за потолком.



- Толщина потолочной плиты для монтажа может варьироваться от 9 мм до 40 мм.

Не следует устанавливать настоящий прибор в следующих местах:

- Места, подверженные воздействию атмосферных осадков или брызг воды (включая области под навесами и т.д.)
- Места, где использован химикат, как плавательный бассейн
- Места, подверженные воздействию влаги или маслянистого дыма, такие как кухня
- Места, имеющие особую среду, подверженную воздействию огнеопасной атмосферы или растворителей
- Места, где возникает радиация, рентгеновское излучение, сильные радиоволны или сильное магнитное поле
- Места, где выделяется агрессивный газ, места, подверженные воздействию соленого воздуха, как морское побережье
- Места, где температура выходит за пределы установленного температурного диапазона (от -10°C до $+55^{\circ}\text{C}$)
- Места, подверженные воздействию вибраций, такие как автомобили, морские суда или указанные выше линии продуктов (Данное изделие не предназначено для использования на автомобилях.)
- Места, где может происходить конденсация в результате большого перепада температуры

Способ монтажа данного прибора

Данный прибор предназначен для использования в подвесном состоянии. Если изделие монтируется на стол или на наклонное место, то оно не может работать правильно, либо его срок службы может сократиться.

Анкерные болты следует приобрести отдельно.

Анкерный болт для монтажа кронштейна на потолке не поставляется с потолочным монтажным кронштейном.

Винты следует подготовить с учетом рода материала и прочности места, на которое монтируется данный прибор.

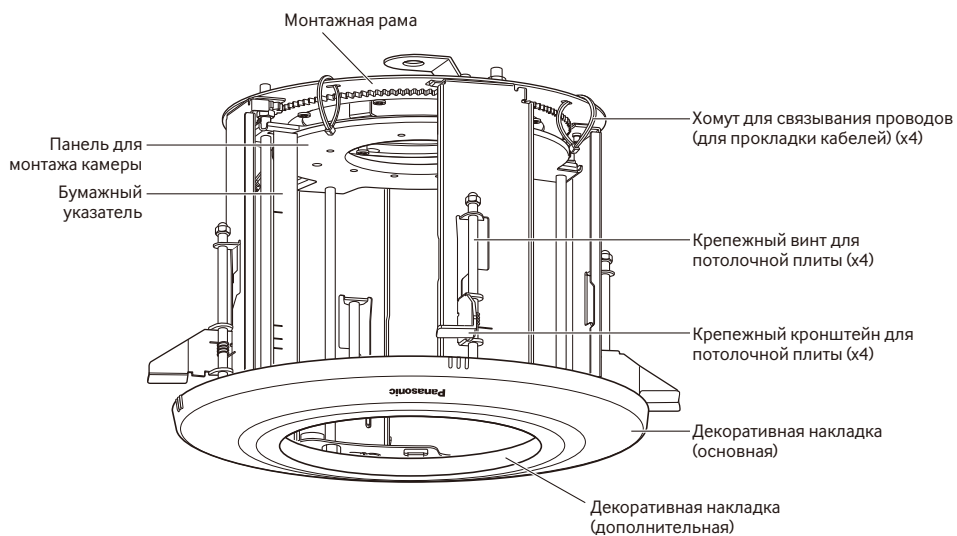
- Анкерный болт: рекомендуется M10
- Минимальная прочность на выдергивание: Убедитесь в том, что может выдерживаться более чем 5-кратная величина общей массы, включая корпус фотокамеры.

Затяжка винтов

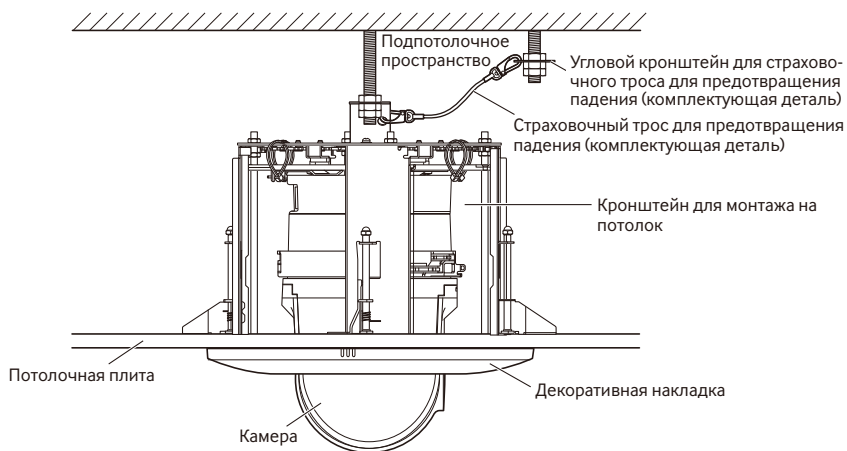
- Винты и болты должны быть затянуты с оптимальным крутящим моментом, зависящим от рода материала и прочности зоны под монтаж.
- Нельзя использовать ударного винтоверта. Использование ударного винтоверта может вызвать повреждение винтов или их перетяжку.
- При затяжке винта поддерживают его в положении, перпендикулярном к поверхности. После затяжки винтов и болтов, проверьте, достаточно ли они затянуты и нет ли движения или люфта.

Обязательно снимите данный прибор, если он больше не эксплуатируется.

Основные органы управления и контроля



<Пример монтажа>

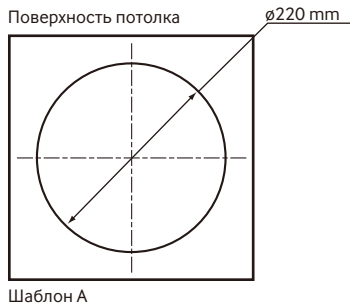


Монтаж

Обязательно прочтите «Меры предосторожности» (стр. 73) и «Меры предосторожности при монтаже» (стр. 74) перед установкой. Также прочтите инструкции по эксплуатации для монтажа камеры.

Шаг 1

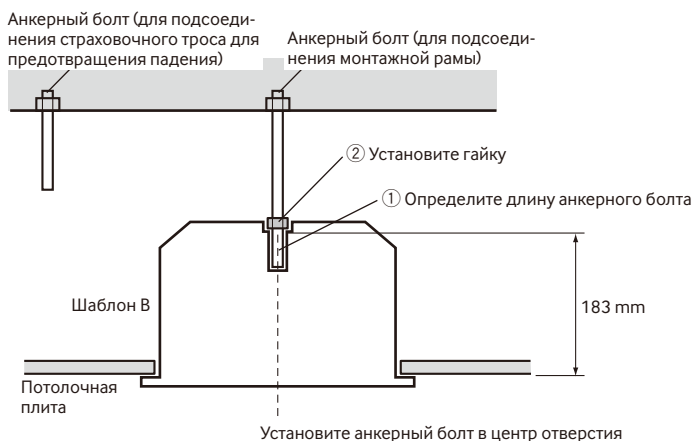
Установите шаблон А (комплектующая деталь) на потолок и сделайте отверстие $\varnothing 220$ мм.



Шаг 2

Установите два анкерных болта (M10 рекомендуется) на потолок. Один анкер используется для закрепления монтажной рамы, а другой анкер используется для подсоединения страховочного троса для предотвращения падения.

- 1 Определите длину анкерного болта (для закрепления монтажной рамы) при помощи шаблона В (комплектующая деталь).
- 2 Поместите гайку с помощью шаблона В (комплектующая деталь) и закрепите гайку. (Расстояние между нижней поверхностью потолочной плиты и гайкой должно составлять 183 мм).



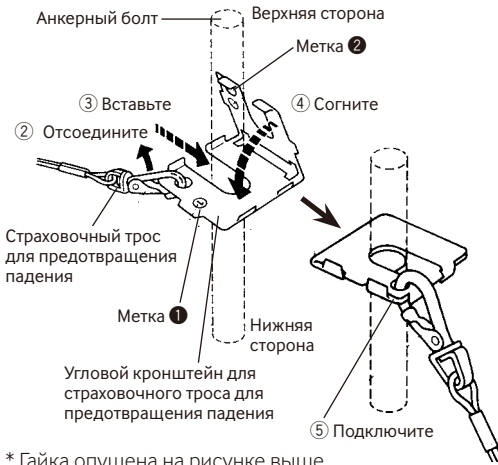
ВНИМАНИЕ:

- Прочность на выдергивание анкерного болта должна быть более 5-кратной величины общего веса установленных устройств (включая корпус фотокамеры, потолочный монтажный кронштейн, анкерные болты и другие детали).
- Когда имеющийся анкерный болт используется в качестве анкерного болта для подсоединения страховочного троса для предотвращения падения, убедитесь, что расстояние между анкерным болтом и положением монтажа камеры составляет 1 м или менее.

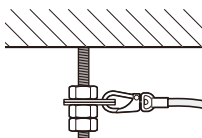
Шаг 3

Закрепите угловой кронштейн для страховочного троса для предотвращения падения (комплектующая деталь) на анкерном болте (для подсоединения страховочного троса для предотвращения падения) и подсоедините страховочный трос для предотвращения падения (комплектующая деталь).

- 1 Установите гайку так, чтобы закрепить угловой кронштейн для страховочного троса для предотвращения падения на анкерном болте.
- 2 Отсоедините страховочный трос для предотвращения падения от углового кронштейна для страховочного троса для предотвращения падения.
- 3 Прикрепите сторону, отмеченную 1, с помощью анкерного болта.
- 4 Согните сторону, отмеченную 2.
- 5 Подсоедините страховочный трос для предотвращения падения к угловому кронштейну для страховочного троса для предотвращения падения.
- 6 Наживите гайку снизу и закрепите угловой кронштейн для страховочного троса для предотвращения падения с помощью верхней и нижней гаек.
- 7 Наживите другую гайку снизу, чтобы затянуть и зафиксировать гайку, которая была наживлена снизу в 6, таким образом, чтобы образовалась двоячная гайка.

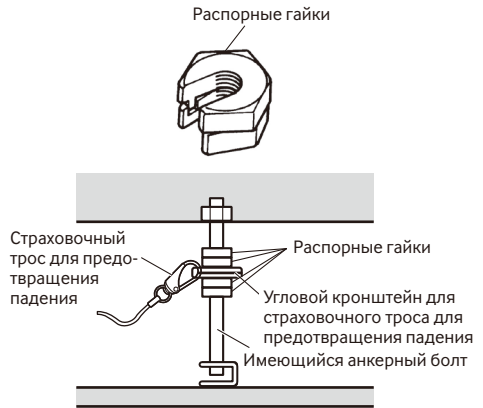


<Изображение подсоединения страховочного троса для предотвращения падения>



Замечание:

- Когда имеющийся анкерный болт, который был установлен, используется для подсоединения страховочного троса для предотвращения падения, лучше использовать 2 распорные гайки.



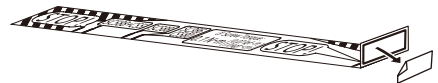
Шаг 4

Прикрепите бумажный указатель (комплектующая деталь) к панели для монтажа камеры.

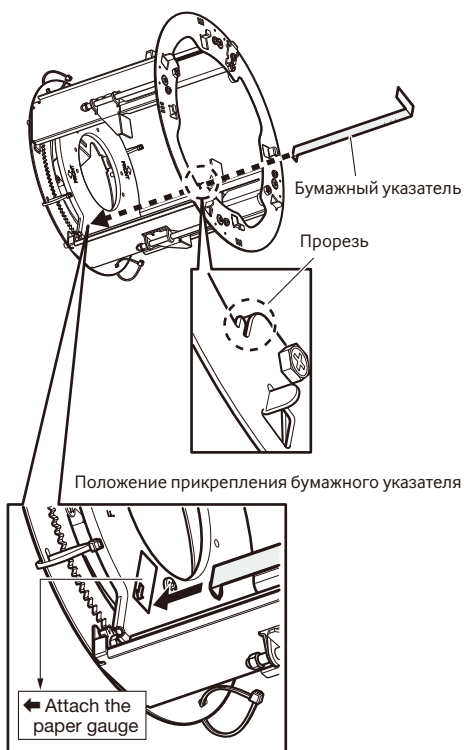
- 1 Сложите двустороннюю ленту бумажного указателя под прямым углом, как показано на рисунке.



- 2 Снимите защитный слой с двусторонней ленты бумажного указателя.

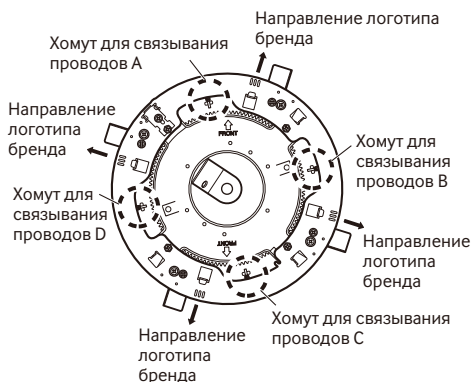


- ③ Поверните этот кронштейн в бок, как показано на следующем рисунке, и присоедините бумажный указатель к панели для монтажа камеры. Прикрепите бумажный указатель так, чтобы он проходил через прорезь, как показано на следующем рисунке.



Шаг 5

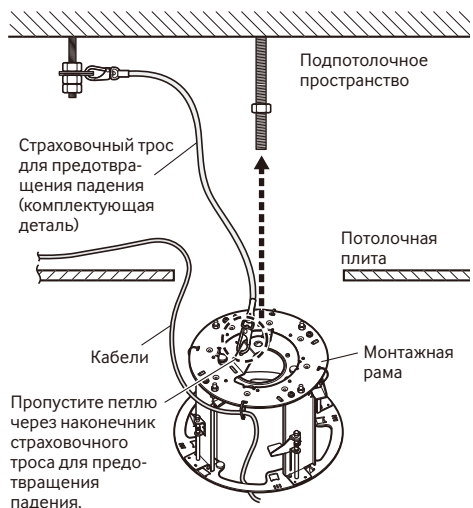
- ① Проложите кабели с потолка через отверстие хомута для связывания проводов, присоединенного к монтажному кронштейну заранее. Хомуты для связывания проводов, используемые для прокладки кабелей, различаются в зависимости от моделей. Положение для прокладки кабелей показано на следующем рисунке. Модели с использованием установочного кронштейна камеры (комплектующая деталь камеры): хомут для связывания проводов А или хомут для связывания проводов С на следующем рисунке. Модели с использованием базового модуля (компонент камеры): хомут для связывания проводов В или хомут для связывания проводов D на следующем рисунке



- ② Прикрепите страховочный трос для предотвращения падения к монтажной раме, как показано на следующем рисунке. Вставьте монтажную раму в отверстие, сделанное в шаге 1, и поместите ее в подпотолочное пространство.

В этот момент направление логотипа при монтаже декоративной накладки может быть совмещено с направлением III монтажной рамы.

Поэтому, если Вам важно направление логотипа бренда, определите направление, используя направление III.



Шаг 6

Закрепите монтажную раму на потолочной плите с помощью крепежных винтов для потолочной плиты (4 положения, винты с маркировкой ①).

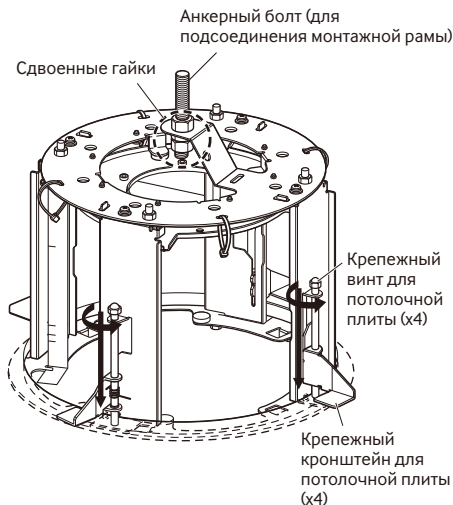
- ① Присоедините верхнюю часть монтажной рамы с помощью анкерного болта (для закрепления монтажной рамы).
- ② Закрепите монтажную раму, поворачивая крепежные винты для потолочной плиты по часовой стрелке, если смотреть снизу. Поворачивание крепежных винтов для потолочной плиты по часовой стрелке обеспечивает зажим потолочной плиты между нижней частью монтажной рамы и кронштейном для закрепления потолочной плиты, что обеспечивает закрепление монтажной рамы.

Рекомендуемый крутящий момент при затяжке винтов: 0,78 N·m

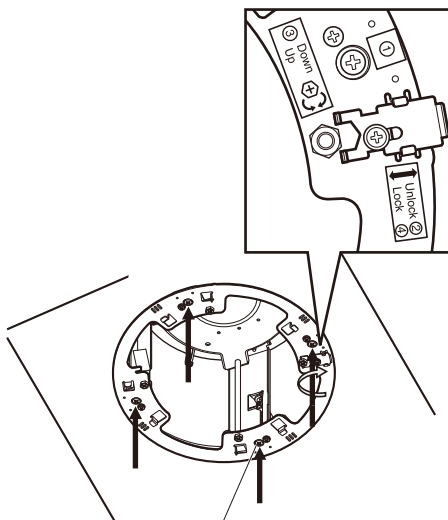
ВНИМАНИЕ:

- При закреплении монтажной рамы на потолке убедитесь, что все 4 крепежных кронштейна для потолочной плиты открыты, как показано на рисунке ③.
- ③ Закрепите верхнюю часть монтажной рамы с помощью сдвоенных гаек.

<Изображение подпотолочного пространства>



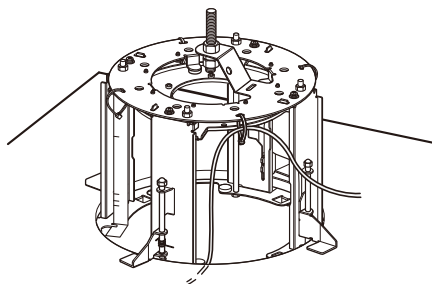
<Изображение монтажа в комнате>



Шаг 7

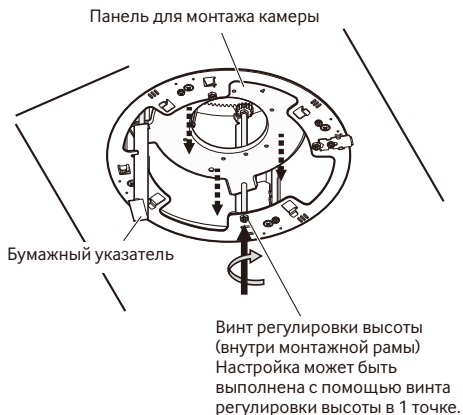
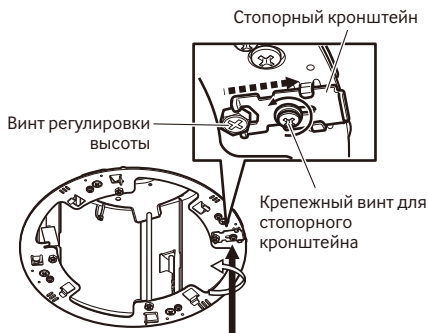
Подготовьте кабели.

Пропустите кабели через отверстие монтажной рамы. Изображение проводки с кронштейном, смонтированным на потолке, описано ниже. Следите за тем, чтобы кабели не застряли в крепежном кронштейне для потолочной плиты или других деталях.



Шаг 8

Ослабьте крепежный винт стопорного кронштейна, переместите стопорный кронштейн в направлении внешней стороны данного кронштейна (в направлении разблокировки ② маркировки) и разблокируйте винт регулировки высоты.

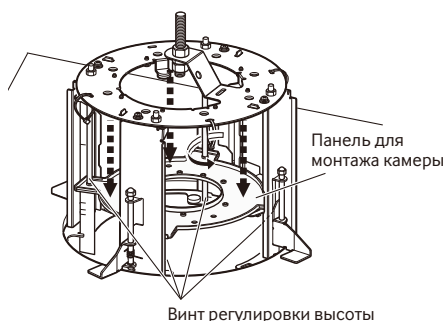


Крутящий момент затяжки: 0,1 N·m

* Не прилагайте крутящий момент, равный или превышающий 0,29 N·m. Несоблюдение этого требования может привести к повреждению.

Шаг 9

Поверните винт регулировки высоты (одна из 4 точек) по часовой стрелке, если смотреть снизу (в направлении вниз ③ маркировки) и переместите панель для монтажа камеры из задней части в переднюю. В этот момент бумажный указатель, прикрепленный к панели для монтажа камеры, опускается вместе с ним. Следите за тем, чтобы кабели не застряли между монтажной рамой и панелью для монтажа камеры.



Шаг 10

Установите установочный кронштейн камеры (комплектующая деталь) или базовый модуль (компонент камеры) на панель для монтажа камеры.

При использовании установочного кронштейна камеры:

Совместите отметку \uparrow FRONT установочного кронштейна камеры с отметкой \uparrow FRONT на стороне, где кабели не пропускаются через панель для монтажа камеры.

При использовании базового модуля:

Совместите направление, в котором выходят кабели базового модуля, с меткой \ominus на стороне, где пропускаются кабели панели для монтажа камеры.

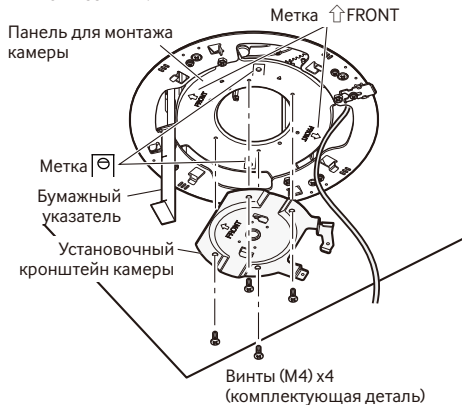
Используйте винты M4 (комплектующие детали) для крепления установочного кронштейна камеры и базового модуля в 4-х местах. (Рекомендуемый крутящий момент при затяжке винтов: 1,57 N·m)

Положите кабель между монтажной рамой и панелью для монтажа камеры и оставьте длинные кабели висеть.

Если монтируется базовый модуль, подсоедините кабели с потолка к кабелям из базового модуля.

Замечание:

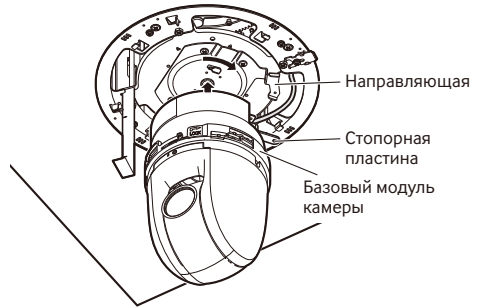
- Выбор между базовым модулем и установочным кронштейном камеры зависит от типа камеры. Базовый модуль является компонентом камеры, а установочный кронштейн камеры является комплектующей деталью к камере.
- Установочный кронштейн камеры крепится, как на рисунках, показанных в следующих описаниях.



Шаг 11

Подсоедините кабели к камере, соедините камеру с установочным кронштейном камеры так, чтобы центр нижней стороны камеры был совмещен с центром установочного кронштейна камеры, как показано на рисунке ниже, совместите стопорную пластину с направляющей и поверните камеру по часовой стрелке примерно на 20 градусов, если смотреть снизу, для временного закрепления камеры.

* См. руководство по монтажу камеры для получения дополнительной информации о монтаже камеры.

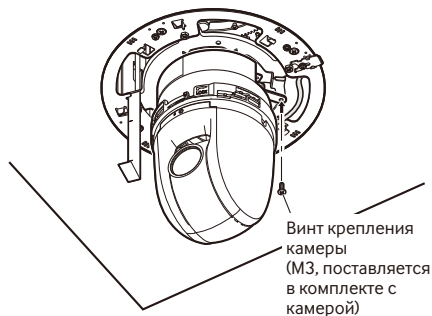


ВНИМАНИЕ:

- Не допускайте защемления кабелей во время установки.
- Обязательно устанавливайте ее, удерживая за основную часть камеры. Установка камеры при удерживании за купольную часть может привести к неисправности.

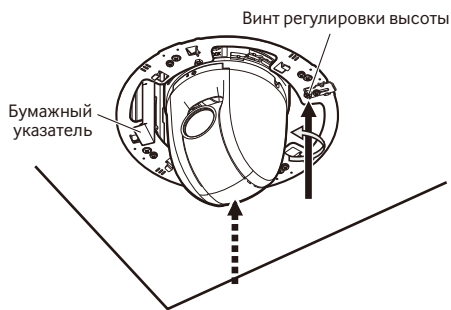
Шаг 12

Прикрепите корпус камеры к установочному кронштейну камеры (поставляется с фотокамерой), используя крепежный винт для камеры (M3, поставляется с фотокамерой). (Рекомендуемый крутящий момент при затяжке винтов: 0,68 N·m)



Шаг 13

Поворачивайте винт регулировки высоты (одна из 4 точек) против часовой стрелки (в направлении вверх ③ маркировки), если смотреть снизу, и поднимите панель для монтажа камеры до позиции используемого номера модели, показанной на бумажном указателе.



Крутящий момент затяжки: 0,1 N·m

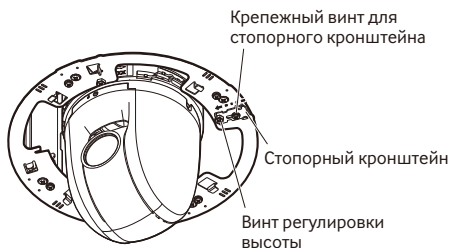
* Не прилагайте крутящий момент, равный или превышающий 0,29 N·m. Несоблюдение этого требования может привести к повреждению.

Замечание:

- После регулировки высоты камеры, извлеките бумажный указатель из данного кронштейна и утилизируйте его.

Шаг 14

Надавите на стопорный кронштейн (в направлении блокировки ④ маркировки) и зафиксируйте винт регулировки высоты. Зафиксируйте стопорный кронштейн с помощью винта для крепления стопорного кронштейна.

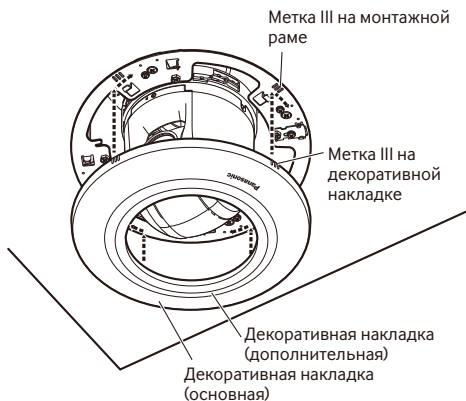


Шаг 15

Снимите защитную пленку с объектива камеры.

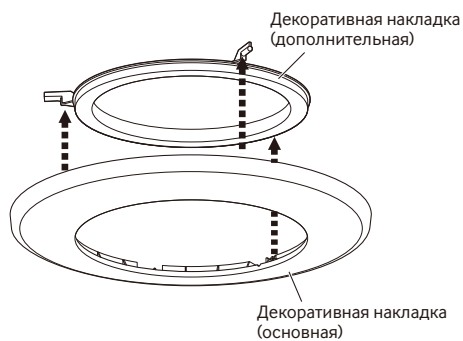
Шаг 16

Совместите отметку III декоративной накладки, входящей в комплект поставки данного кронштейна, с меткой III на монтажной раме, прижмите декоративную накладку к потолку и поверните ее по часовой стрелке, если смотреть снизу, чтобы закрепить накладку.



Замечание:

- Когда камера встроена в потолок с использованием данного кронштейна, декоративная накладка, поставляемая с камерой, не используется.
 - При установке данного кронштейна с WV-CS5S/WV-CS5C (крышка куполообразной головки), установленной на WV-SC588 (сетевая камера), снимите декоративную накладку (дополнительную) с декоративной накладки (основной).
 - В других случаях используйте этот кронштейн с прикрепленной к декоративной накладке (основной) декоративной накладкой (дополнительной).
-



Технические характеристики

Температура окружающей среды при эксплуатации:	-10 °С до +55 °С
Размеры:	ø245 mm x 203 mm (В) (включая декоративную накладку)
Масса:	Около 1,3 kg
Отделка:	Главный корпус: Стальной лист для поверхностной обработки Декоративная накладка: АБС-пластик, (цвет пластика: парусковой белый, серебристый)

Стандартные аксессуары

Инструкция по эксплуатации (настоящий документ)..... 1 комплект

Следующие детали используются при монтаже

Страховочный трос для предотвращения падения..... 1 шт.

Угловой кронштейн для страховочного троса для предотвращения падения..... 1 шт.

Шаблон А..... 1 лист

Шаблон В..... 1 лист

Декоративные накладки (дополнительная и основная),

парусковая белая, серебристаяпо 1 шт. каждой

Винт (М4)..... 5 шт. (вкл. 1 резервный)

Бумажный указатель 1 лист

For U.S. and Canada:

**Panasonic i-PRO Sensing Solutions
Corporation of America**

800 Gessner Rd, Suite 700 Houston, TX 77024
<https://www.security.us.panasonic.com/>

Panasonic Canada Inc.

5770 Ambler Drive, Mississauga, Ontario, L4W 2T3 Canada
1-877-495-0580
<https://www.panasonic.com/ca/>

For Europe and other countries:

Panasonic Corporation

<http://www.panasonic.com>

Panasonic i-PRO Sensing Solutions Co., Ltd.
Fukuoka, Japan

Authorised Representative in EU:

Panasonic Testing Centre
Panasonic Marketing Europe GmbH
Winsbergring 15, 22525 Hamburg, Germany

© Panasonic i-PRO Sensing Solutions Co., Ltd. 2019

Printed in China
Gedruckt in China
Imprimé en Chine
Impreso en China
Stampato in Cina
Напечатано в Китае

Ns0913-2109

PGQX1412XA