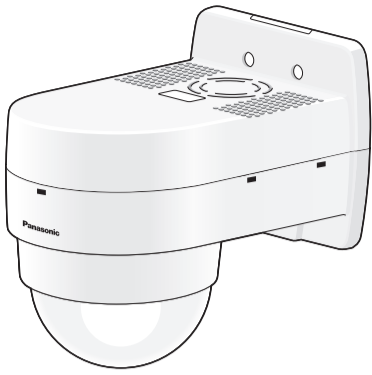


Operating Instructions

Wall Mount Bracket

Model No. **WV-Q158C**
WV-Q158S



Before attempting to connect or operate this product, please read these instructions carefully and save this manual for future use.

The model number is abbreviated in some descriptions in this manual.

Ns0817-1109 PGQX2208YA Printed in China

Preface

This wall mount bracket is exclusively designed to mount the network camera. Refer to the catalog or the installation guide of the camera for supported cameras.

- WV-Q158C: Clear dome cover
- WV-Q158S: Smoked dome cover (approx. 50 % of transmittance)

Precautions

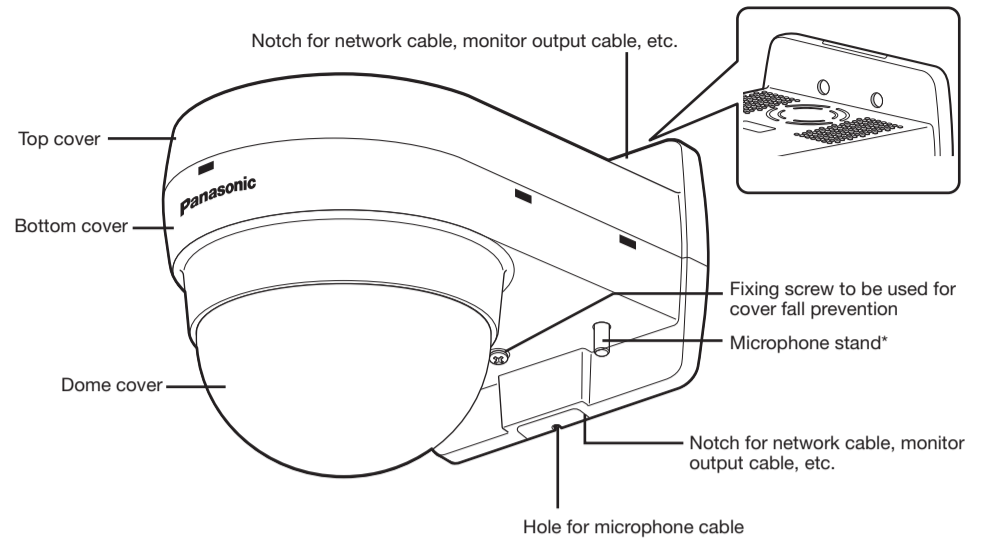
- **Do not hang down from this product or use this product as a pedestal.**
Failure to observe this may cause a drop resulting in accidents.
- **Use only the specified camera.**
Failure to observe this may cause a fall of an inappropriate camera resulting in injury or accidents. Refer to the catalog or the installation guide of the camera for supported cameras.
- **Avoid installing this bracket in the locations where salt damage occurs or corrosive gas is produced.**
Otherwise, the mounting portions will deteriorate and accidents such as a fall of the camera may occur.
- **Refer installation work to the dealer.**
Installation work requires technique and experience. Failure to observe this may cause fire, electric shock, injury, or damage to the product. Be sure to consult the dealer.
- **Do not install this product in locations subject to vibration.**
Loosening of mounting screws or bolts may cause a fall of the product resulting in injury or accidents.
- **Install this product in a location high enough to avoid people and objects from bumping the product.**
Failure to observe this may cause injury.
- **The measures of protection against a fall of the camera shall be taken.**
Failure to observe this may cause a drop resulting in injury. Be sure to install this bracket-specific safety wire.
- **The screws and bolts must be tightened to the specified torque.**
Failure to observe this may cause a drop resulting in injury or accidents.
- **Periodic inspections shall be conducted.**
Rust on the metal parts or screws may cause a fall of the product resulting in injury. Consult the dealer for the inspections.
- **Select an installation area that can support the total weight.**
Selecting an inappropriate installation surface may cause this product to fall down or topple over, resulting in injury or accidents. Installation work shall be started after sufficient reinforcement.
- **Install this product on a wall according to the instructions.**
Failure to observe this may cause injury or injury or accidents.
- **Do not rub the edges of metal parts with your hand.**
Failure to observe this may cause injury.

Precaution for installation

In order to prevent injury, the product must be securely mounted to a wall according to Installation Guide. This product is designed to be used indoors. This product is not operable outdoors.

- Make sure that the installation area is strong enough to hold the total weight of the camera assembly (approx. 2.1 kg {4.63 lbs.}) before installation.
- The screws that secure the wall mount bracket on the wall are not supplied. Prepare the screws according to the material, structure, strength and other factors of the mounting area and the total weight of objects to be mounted. In this case, wood screws and nails should not be used.
- Do not place this product in the following places.
 - Locations where a chemical agent is used such as a swimming pool
 - Locations subject to moisture or oil smoke such as a kitchen
 - Locations that have a specific environment that is subject to an inflammable atmosphere or solvents
 - Locations where a radiation, an X-ray, a strong radio wave or a strong magnetic field is generated
 - Locations near coasts directly subjected to sea breezes, or locations subject to corrosive gases such as from hot springs, volcanic regions, etc.
 - Locations where the temperature is not within $-10\text{ }^{\circ}\text{C} - +50\text{ }^{\circ}\text{C}$ { $14\text{ }^{\circ}\text{F} - 122\text{ }^{\circ}\text{F}$ }.
 - Locations subject to vibrations, such as on vehicles, marine vessels, or above product lines (This product is not designed for on-vehicle use.)
 - Locations where it may get wet from rain or water splash (including under the eaves, etc.)
 - Locations subject to moisture or dust
 - Locations subject to condensation as the result of severe changes in temperature (In case of installing the product in such locations, the dome cover may become foggy or condensation may be caused on the cover.)
- The screws and bolts must be tightened with an appropriate tightening torque according to the material and strength of the installation area. After tightening the screws or bolts, perform visual check to ensure tightening is enough and there is no backlash.
- The pull-out strength of the installation area shall be 196 N {44 lbf} or more per 1 screw.

Parts and functions



Note:

- Remove the notch with a nipper.
- If a tiepin type microphone is used, mount the microphone on the rubber-made microphone stand. Unless the microphone is used, cut the rubber with a nipper or conduct another treatment.

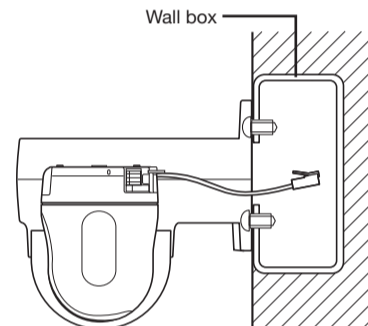
Important: To prevent injuries and protect the cables, finish the notch with a file to avoid sharp edges.

Installation Area

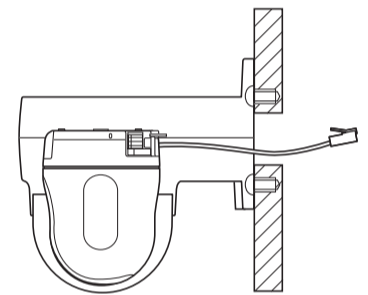
Instructions for installing the machine and a wiring example are given below.

* The pull-out strength of the installation area shall be 196 N {44 lbf} or more per 1 screw.

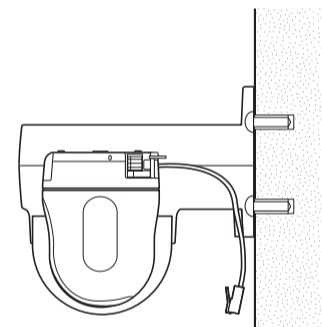
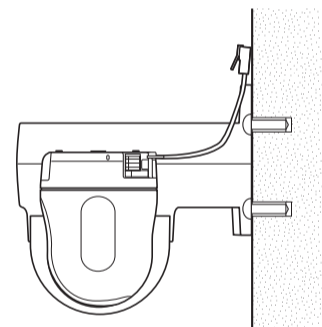
● Embedded box



● Strong wall



● Concrete

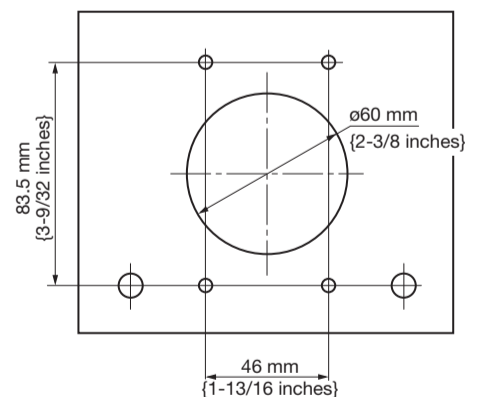


Installations

Be sure to read "Precautions" before installation. The Installation Guide of the network camera shall be read as well.

1. Put the template (accessory) against the wall and mark the positions of fixing screws and hole through which the cables run.

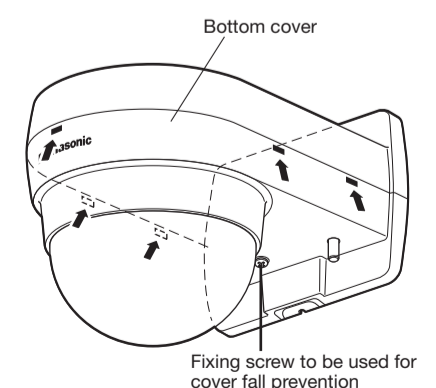
Drill 4 holes on the wall to secure it with M4 screws. The hole diameter shall be decided in accordance with the specifications of the screws and anchors to be used. When the cables are laid inside the wall, drill a hole through the wall for cable installation. If cables are routed inside the wall, bore a hole through the wall.



2. Remove the bottom cover from this bracket.

- ① Loosen the fixing screw (unremovable) to be used for cover fall prevention.
- ② Pull down the bottom cover while pressing the marks (shown with \blacktriangleright in the drawing) to remove the cover.

Note: Be aware that the inner shell is present in the cover.



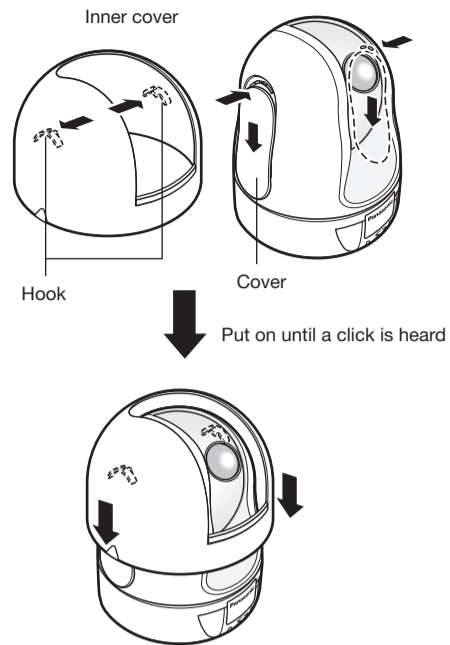
(To be continued reverse page)

Installations (continued)

3. Install the inner cover.

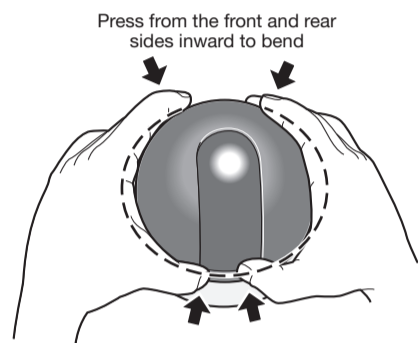
Slide the covers located on the both lateral sides of the camera and put the inner cover on the camera until the hooks inside the inner cover are held in the holes of the camera (until a click is heard).

Important: Put the inner cover down on the camera until the outside cover of the camera cannot be seen from the opening (from which the camera lens is visible) of the inner cover. If this integration is not successfully performed, the inner cover may be removed or the hidden part at the top of the screen may become larger in the WIDE mode.



How to remove the inner cover

Press the inner cover from the front and rear sides inward (at the same vertical position as the hooks) to bend the cover and remove the shell from the camera.

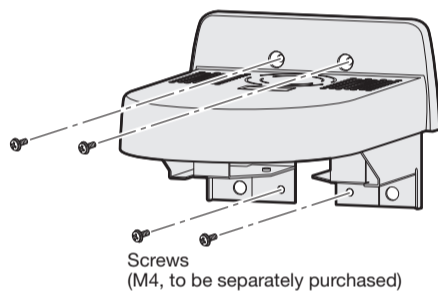


4. Mount the top cover on the wall and run the cables.

Fix the top cover with four screws. Screws are not provided.

Prepare them in accordance with the camera installation position.

- Necessary screw: M4 (4 pcs.)
- Minimum pull-out strength: 196 N {44 lbf}



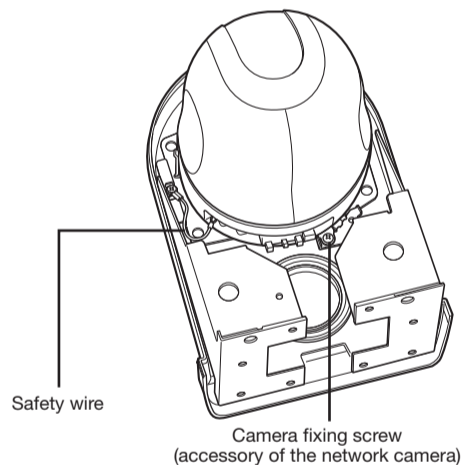
5. Mount the camera.

Refer to the Installation Guide of network camera for further information.

The camera mount bracket is already attached to the top cover at the time of purchase.

Make sure to use the pre-installed camera mount bracket.

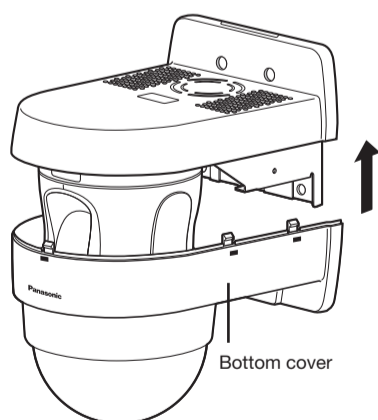
Important: When mounting the camera, push the camera securely into the mounting section of the top cover.



6. Mount the bottom cover.

Be sure to push the bottom cover up until a click is heard.

Important: Do not let the cables be caught during installation work.



7. Tighten the fixing screw to be used for cover fall prevention.

Recommended tightening torque: 1.6 N·m {1.18 lbf·ft}

8. Remove the protection sheet from the dome cover.

Remove the cover film from the dome cover after the installation is completed.

Note: When the camera is pointed in the horizontal direction, the upper side of the screen is hidden. Refer to the Operating Instructions of network camera for further information.

Specifications

Ambient temperature:	-10 °C to +50 °C {14 °F to 122 °F}
Dimensions:	165 mm (W) x 206.5 mm (H) x 217.5 mm (D) {6-1/2 inches (W) x 8-1/8 inches (H) x 8-9/16 inches (D)}
Mass:	Approx. 950 g {2.10 lbs.}
Finish:	Main body : Treatment steel Top and bottom covers : ABS resin with silver metallic coating Dome cover : PMMA resin Clear WV-Q158C Smoke WV-Q158S

Standard Accessories

Operating Instructions (this document) 1 pc.

The following are for installation.

Template 1 sheet

Inner cover 1 pc.

For U.S. and Canada:

Panasonic i-PRO Sensing Solutions Corporation of America

800 Gessner Rd, Suite 700 Houston, TX 77024
<https://www.security.us.panasonic.com/>

Panasonic Canada Inc.

5770 Ambler Drive, Mississauga, Ontario, L4W 2T3 Canada
1-877-495-0580
<https://www.panasonic.com/ca/>

For Europe and other countries:

Panasonic Corporation
<http://www.panasonic.com>

Panasonic i-PRO Sensing Solutions Co., Ltd.
Fukuoka, Japan

Authorised Representative in EU:

Panasonic Testing Centre
Panasonic Marketing Europe GmbH
Winsbergring 15, 22525 Hamburg, Germany