

PARADOX

# IPC10

## IP to CMS Converter



### Overview

The IPC10 is designed to receive Ethernet IP Data from Paradox systems, convert them from Paradox encrypted IP protocol to CID format via Sur-Gard MLR2-DG or Ademco 685 protocols, and send them over Ethernet to the central monitoring station (CMS) software. IPC10 offers a high account capacity of up to 5,000 accounts. Created for the modern CMS with a small footprint, low power consumption, and single-wire connection.

The IPC10 supervises Paradox security systems. A single IPC10 can monitor up to 5,000 accounts with device supervision set for 5, 10, or 20 minutes or up to 3,500 accounts supervised at 90 seconds (high supervision) or any combination.

Activating the IPC10 at the monitoring station is simple and fast, only an IP address and port should be entered via the simple UI, and no other programming is really needed. As for the reporting devices (IP180, PCS265V8, and IP150+ V6 and above) and future Paradox systems with IP or cellular on board, only the IPC10 IP address, port, and CMS-assigned account number (four or ten digits on supported panel versions) need to be entered.

Supervision profile time default can be used (10 minutes) or modified if desired. No additional registration process is required. Should the CMS connection go offline, the IPC10 will buffer up to 5,000 events with first-in, first-out management and send them to the CMS once the connection resumes at a low rate to prevent flooding the CMS.

A minimal, modern, simple, and user-friendly UI with events and account view makes the management of the IPC10 easy and simple. Devices that are not polling for 30 days will be removed automatically from the offline accounts but will be added seamlessly if resume polling.

The IPC10 is installed in a standard 19" rack mount and occupies the smallest space of 1U. Only one single Ethernet cable is connected to the IPC10 with POE (Power over Ethernet).

Online system status will be restored without the need for any new event from the panel.

In the unlikely event of an IPC10 malfunction, a new receiver with the same IP address and port will be online and all accounts should be restored to normal status without any further action in less than five minutes.

Compatible reporting devices: IP180 (Ethernet + Wi-Fi), PCS265V8 (LTE), IP150+ FW 6.0 over, and Paradox panels with IP or cellular on board.

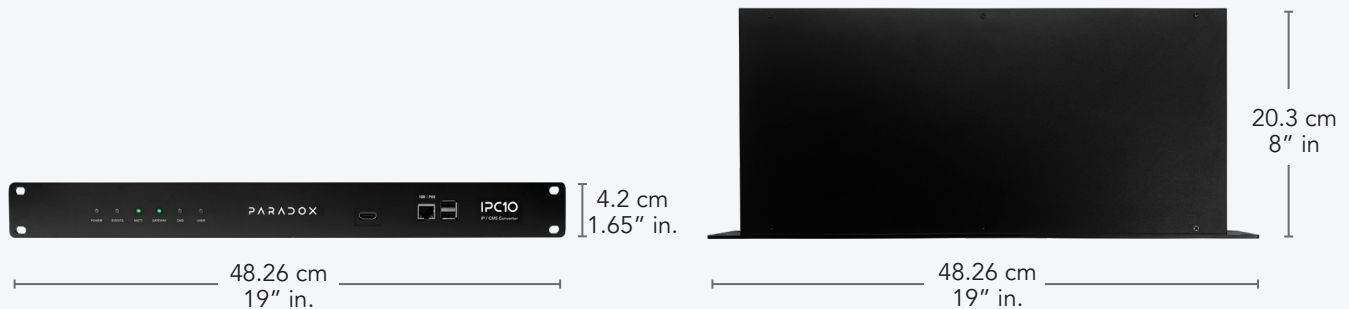
## Features

- ▶ Up to 5,000 accounts with default 5-minute supervision, or 3,500 accounts at high-security 90-second supervision, or a combination of high and low supervision where each high supervision account equals 3 normal accounts
- ▶ No registration for reporting devices
- ▶ 5 minutes recovery in case of receiver replacement
- ▶ 4 supervision profiles – 90 sec, 5, 10 or 20 min
- ▶ One single Ethernet front connection with POE
- ▶ Rack Mount 19" (1U)
- ▶ 5,000 events buffer if CMS down
- ▶ Easy and simple to use Ethernet UI

## Technical Specifications

<b>Compatibility</b>	IP180 (Ethernet + Wi-Fi), PCS265V8 (LTE), IP150+ FW 6.0 or higher, and Paradox panels with IP or cellular on-board
<b>Input Voltage</b>	POE, 37–57 V DC, Class 2 device
<b>Power Input</b>	12.5W
<b>Operating Temperature</b>	0 to 40 °C (32 to 104 °F)
<b>Replacement Recovery</b>	Auto recovery in case of replacement for all accounts within 5 minutes
<b>Encryption Type</b>	AES 128-bit
<b>Communication Protocol</b>	CID via Sur-Gard MLR2-DG or Ademco 685
<b>Dimensions</b>	Fits 19" Rack 1U 48.26 x 20.3 x 4.2 cm (19" x 8" x 1.65" in)

## IPC10 Overview



PARADOX

TIPC10-G2K rev.00 - Printed in Canada 10/2023.

Specifications may change without prior notice. International patents may apply. Paradox is a trademark or registered trademark of Paradox Security Systems (Bahamas) Ltd.

paradox.com