

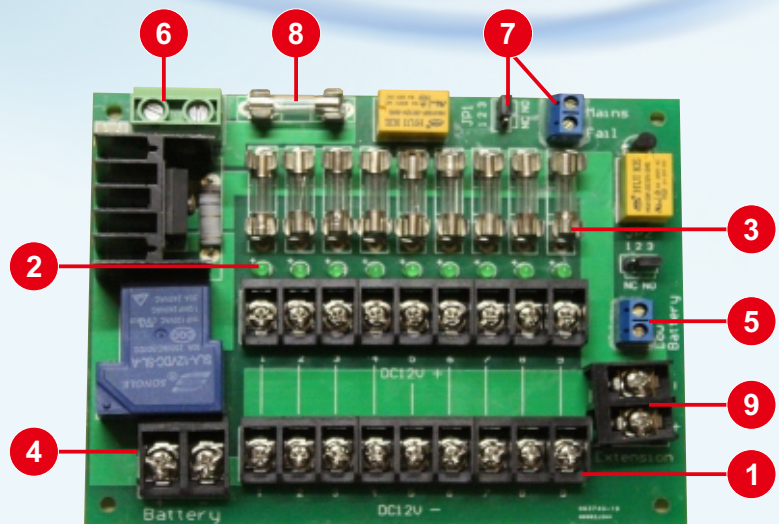
Power Distribution Board with Battery Charger

Features

- Reverse Polarity Battery Protection
- Multiple Fused Outputs
- Low battery and Supply Fail Contacts
- 1.2A Linear Battery Charger

Layout

1. Output Terminal Blocks
2. Individual Circuit LED
3. Individual Circuit Fuses (1A Each)
4. Battery Charger (1.2A)
5. Low Battery Terminal (NC/NO)
6. Input Terminal (10V-16VDC)
7. Mains Fail Terminal (NC/NO)
8. Main Fuse
9. High Current Terminal (Max Current Supplied)



9 Way

Applications



Specifications

DC Type		9 Way	16 Way
Model		ZP-DC-9WAY-PCB	ZP-DC-16WAY-PCB
Input Voltage		10V - 16V DC	
Output		9 x fused outputs	16 x fused outputs
Total Current		9A Max.	16A Max.
Relay Rating		1A 30VDC	
Size(LxWxH)		133 x 106 x 31mm	190 x 106 x 31mm
Weight		180g	220g

