

Accurate and intuitive camera control at your fingertips

WV-CU980 is a compact Ethernet system controller with a 3D joystick providing ease and direct control for video security systems. The 3D joystick is separated from the main unit to be placed freely for left/right handed operators and the adoption of ergonomic design makes it less stressful for long-hour operations.

Supports direct monitoring screen switching, record and playback, PTZ camera control and many other features to meet large-scale system, multi-site system application requirements.

Compact design & installation in desired location

- The main unit and joystick can be separated, enabling operation with either the main unit or the joystick placed on the control table.
- An Ethernet connection is supported, so it can be used even away from a PC and installed in a desired location.

Intuitive operation

- The joystick is used to operate PTZ cameras intuitively and move them as intended for easy tracking of the target.
- An ergonomic key layout and angle enables ease of operation where blind touch input is possible and improves the quality of surveillance work.
- Making the unit and joystick separable achieves efficiency in operations regardless of which hand is dominant.

Integrated System Control

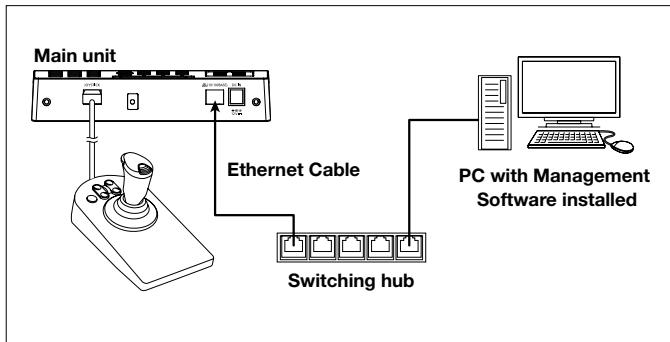
- Detached joystick controls Pan/Tilt and Zoom of camera, allowing seamless tracking.
- The main unit has dedicated buttons such as Record and Play to control the recorder smoothly.



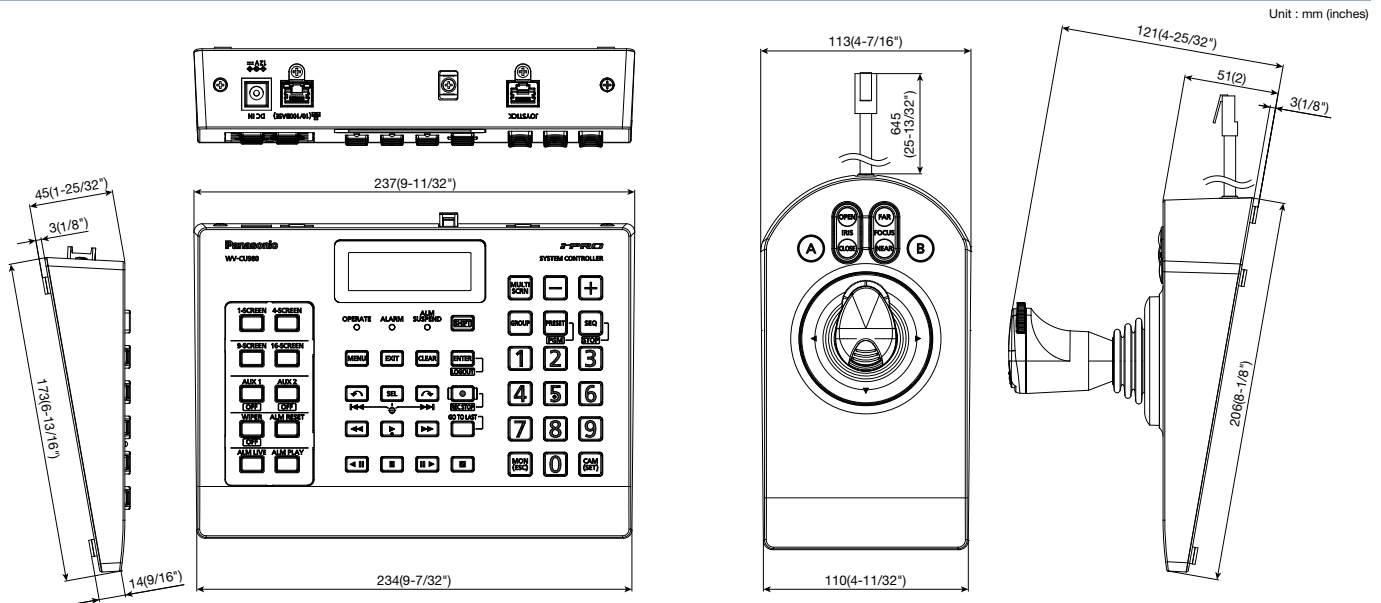
Specifications

| | |
|------------------------------------|--|
| Monitoring control | Switch the pattern of the screen, Sequence, group, 1 screen, 4 screens, 9 screens, 16 screens |
| Camera Control | Focus, Iris, Zoom, Pan, Tilt, Preset, Aux(x2), Wiper |
| Recorder Control | REC, PLAY, Pause, Stop, FF, FR, Prev Record, Next Record, Prev Image, Next Image, Go to Last |
| Supported Management Software | WV-ASM300, Video Insight VMS Software |
| Maximum number of users | 16 |
| Safety / EMC Standard | WV-CU980 UL (UL60950-1), c-UL (CSA C22.2 No.60950-1), FCC (Part15 ClassA), ICES003 ClassA WV-CU980/G CE, IEC60950-1, EN55032 ClassB, EN55024 |
| Power Source and Power Consumption | DC 12 V 250 mA, Approx. 3 W |
| Ethernet Port | 10Base-T / 100Base-TX, RJ45 connector |
| Supported Protocol | IPv4 : TCP/IP |
| Ambient Operating Temperature | 0 °C to +50 °C {32 °F to +122 °F} |
| Dimensions | Main Unit : 237 (W) x 45 (H) x 173 (D) mm {9-11/32 (W) x 1-25/32 (H) x 6-13/16 (D) inches} Joystick Unit : 113 (W) x 121 (H) x 206 (D) mm {4-7/16 (W) x 4-25/32 (H) x 8-1/8 (D) inches} |
| Weight (without the AC adaptor) | Main Unit : 0.84 kg {1.85 lbs}, Joystick Unit : 0.64 kg {1.41 lbs} |

Example of a Basic Connection System



Appearance



Trademarks and registered trademarks

- All other trademarks identified herein are the property of their respective owners.

Important

- Safety Precaution : Carefully read the Important Information, Installation Guide and operating instructions before using this product.
- Panasonic cannot be responsible for the performance of the network and/or other manufacturers' products used on the network.

• Masses and dimensions are approximate. • Specifications are subject to change without notice.

DISTRIBUTED BY :

Panasonic

<https://security.panasonic.com>

<https://www.facebook.com/Panasonicnetworkcamera>

(2A-229BA)