

DATASHEET

Danalog Universal module for Electric locking systems

The Danalock Universal module is a special device that enables you to control doors as garage doors, doorstrikes, electromechanical or magnetic locks, gates, windows, shades... using your mobile phone through the Bluetooth Low Energy (BLE) technology.

The Danalock V3 evolution is based on the feedback from devoted customers and the latest development in data security and smart home technology.

www.saltosystems.com

TECHNICAL SPECIFICATION: DANALOCK UNIVERSAL MODULE (D0xU)

SALTO
inspired access



TECHNICAL DATA:

Product dimensions: (H x W x D)::	35 x 40 x 15 mm
Weight:	14Gms
Material:	ABS
Colour available:	Black
Power source ¹ :	12-24V 1amp solid or battery power supply
Operating voltage range:	12-24V DC, 12-24V AC.
Max input (at 24V):	100mA
Number of relays:	2
Type of relays:	Potential-free cotnacts (NO/NC)
Max AC power:	1A at 12V
Max AC current:	1A at 12V
Max relay voltage:	48 V
Environmental conditions:	0 °C / +60 °C.
IP class:	Not suitable for outdoor use.
Certifications:	CE, FCC/IC
Bluetooth range	5-10 meters

ACCESS CONTROL FEATURES:

Users & doors:

Maximum number of users per door:	Unlimited
Maximum number of doors per system:	Unlimited
Access levels:	Unlimited

Calendars & time zones:

Calendars in system:	—
Timetables:	Unlimited
Time periods:	—

Events:

Maximum events on lock audit:	-
	Events are automatically sent to the Danalock cloud database.

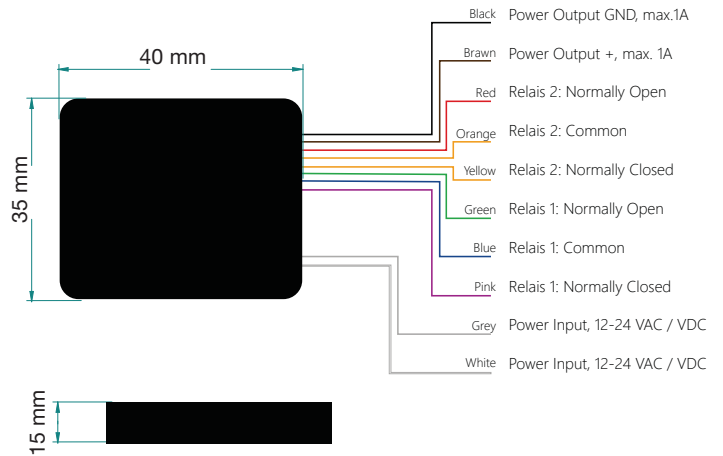
ID TECHNOLOGIES:

Bluetooth Smart BLE:	•
Smartphone OS compatibility:	IOS 9 or superior Android 6.0 or superior

WIRELESS TECHNOLOGIES:

Zigbee:	•
Z-Wave regional compatibility:	EU US AUS-NZ Japan Brazil

TECHNICAL DRAWING:



PLATFORMS:

Host-based access control:

Smile - Selfprogrammable	—
ROM:	—
SVN data-on-card:	—
SALTO BLUEnet:	—
SALLIS:	—

Cloud-based locking solution:

SALTO KS:	—
Danalock platform:	•

INTEGRATIONS:

Hardware integration:

Zigbee:	Samsung SmartThings
Z-Wave:	Vera Smarter Home control Amazon Echo Nest IFTTT Logitech Harmony

Cloud integration:

Airbnb:	•
---------	---

¹ Power supply not included, as to be ordered separately
² Frequencies depend on different hardware