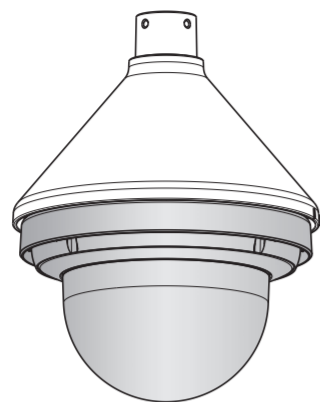


Operating Instructions

Included Installation Instructions



Mount Bracket

Model No. WV-QSR502A-W

- Before attempting to connect or install this product, please read these instructions carefully and save this manual for future use.
- SDXC/ SDHC/ SD memory card is described as SD memory card.
- The external appearance and other parts shown in this manual may differ from the actual product within the scope that will not interfere with normal use due to improvement of the product.

i-PRO Co., Ltd. assumes no responsibility for injuries or property damage resulting from failures arising out of improper installation, operation inconsistent with this documentation or through use of parts other than this product, such as locally procured parts.

For U.S. and Canada:

i-PRO Americas Inc.

For Europe and other countries:

i-PRO EMEA B.V.

<https://www.i-pro.com/>

© i-PRO Co., Ltd. 2022

* PGQX2439YA * Ns0121-1042
Printed in China

Caution:

- Before attempting to connect or operate this product, please read these instructions carefully.

Notice:

- This product is not suitable for use in locations where children are likely to be present.
- Do not install this product in locations where ordinary persons can easily reach.
- For information about screws and other parts required for installation, refer to the corresponding section of this document.

Precautions

Do not use this bracket except with specified cameras or mount brackets.

Failure to observe this may cause a drop resulting in injury or accidents.

Refer installation work to the dealer.

Installation work requires technique and experience. Failure to observe this may cause fire, electric shock, injury, or damage to the product.

Be sure to consult the dealer.

The exclusively designed mount bracket shall be used.

Failure to observe this may cause a drop resulting in injury or accidents.

Use the exclusively designed mount bracket for installation.

Install the product securely on a mount bracket in accordance with the installation instructions.

Failure to observe this may cause injury or accidents.

Do not rub the edges of metal parts with your hand.

Failure to observe this may cause injury.

When using this product, also read the "Precautions" described in the operating instructions for the camera to be attached.

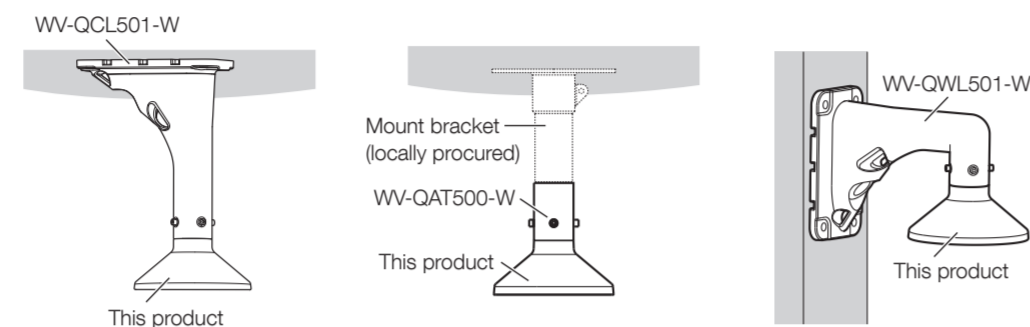
Preface

This product is designed to be used to install a outdoor dome type camera for use in the following ways.

- When installing to the ceiling in combination with WV-QCL501-W (Ceiling Mount Bracket)
- When installing on a wall using together with WV-QWL501-W (Wall Mount Bracket)
- When installing to a bracket locally procured in combination with WV-QAT500-W or WV-QAT501-W (Attachment Pipe Bracket)

For the latest information on cameras and brackets which can be installed, refer to our support website (https://i-pro.com/global/en/surveillance/training_support/support/technical_information <Control No.: C0501>).

This document explains how to install WV-X8571N on the wall using this bracket and WV-QWL501-W.



Specifications

Ambient operating temperature:	-50 °C to +60 °C [-58 °F to +140 °F]
Dimensions:	Diameter: Max.239 mm [9-13/32 inches] Height: 165.5 mm [6-17/32 inches]
Mass:	Approx. 740 g [1.63 lbs]
Finish:	Aluminum die cast i-PRO white

Precautions for installation

In order to prevent injury, the product must be securely mounted to the mount bracket according to the Installation Guide of this bracket.

Screw tightening

Do not use an impact driver. Use of an impact driver may damage the screws or cause tightening excessively.

Mounting method for this product

This product is designed to be used as a pendant mount camera. If the product is mounted on a desktop or at a slant, it may not work correctly and its lifetime may be shortened.

Make sure to remove this product if it will no longer be used.

Standard accessories

Operating Instructions (this document)..... 1 pc. Fixing screw for the attachment plate (M4×8 mm [5/16 inches]) 5 pcs. (of them, 1 for spare)

Preparations

Step 1 Fix the wall mount bracket (WV-QWL501-W) on a wall.

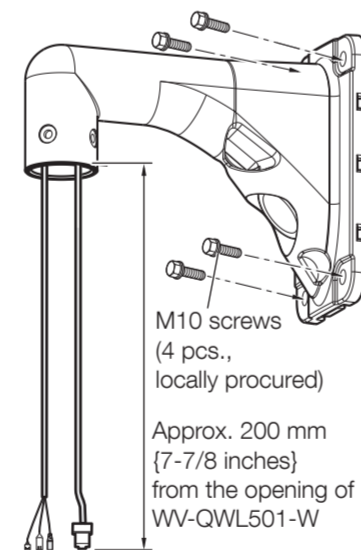
①Pass the cables from the wall to the WV-QWL501-W. Adjust the length of the cables so that the cables of approx. 200 mm [7-7/8 inches] come out from the opening of the WV-QWL501-W.

②Fix the WV-QWL501-W on a wall with fixing screws or anchors (4 pcs.) (M10: locally procured). Minimum pull-out strength : 823 N [185 lbf] /per 1 pc.

* Refer to the operating instructions of WV-QWL501-W for further information on how to fix.

Note:

- WV-QWL501-W can be installed on a round pole by using WV-QPL500-W (pole mount bracket), or on a corner section of an external wall of the building by using WV-QCN500-W (corner mount bracket). Refer to the Operating Instructions of WV-QPL500-W and WV-QCN500-W for more detailed installation instructions.



Installation

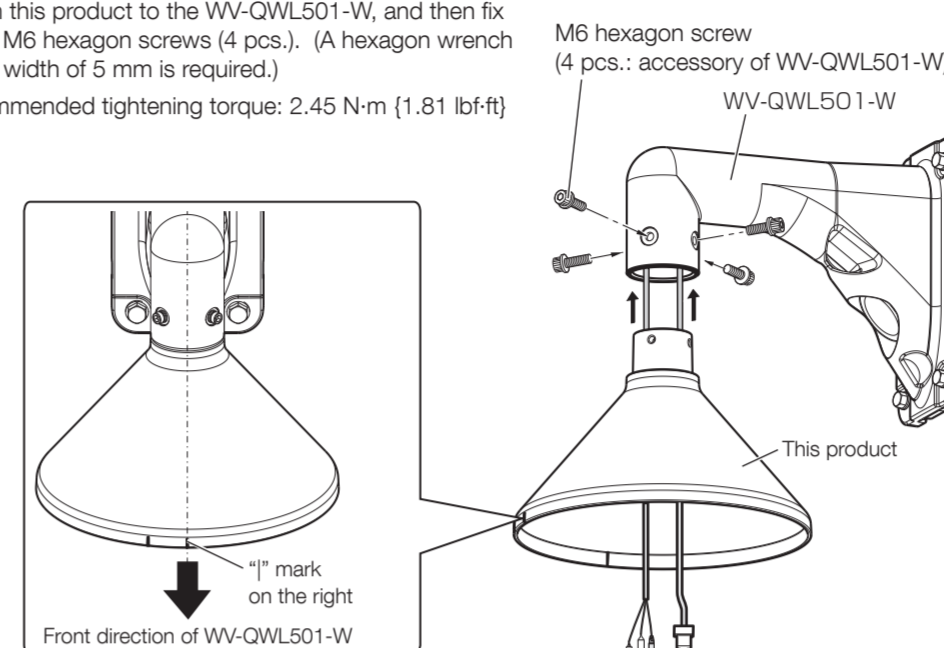
Be sure to read "Precautions" and "Precautions for installation" before installation.

Refer to the operating instructions of the camera for details on the camera installation (including the camera mounting, cable connection and adjustment).

Step 1 Attach this product to the WV-QWL501-W.

Attach this product to the WV-QWL501-W, and then fix it with M6 hexagon screws (4 pcs.). (A hexagon wrench with a width of 5 mm is required).

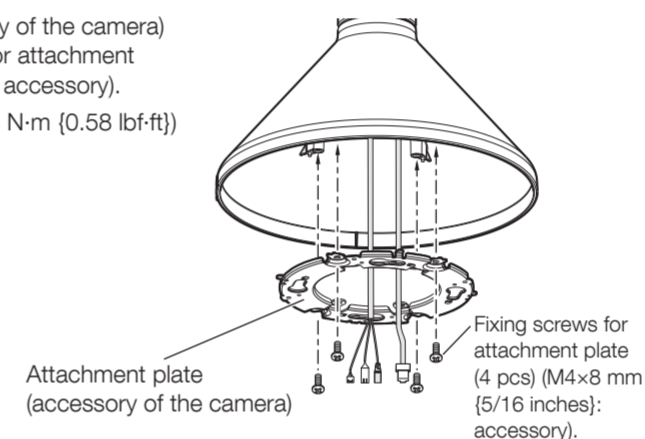
Recommended tightening torque: 2.45 N-m {1.81 lbf-ft}



Step 2 Attach the attachment plate (accessory of the camera) to this product.

Secure the attachment plate (accessory of the camera) to this product with the fixing screws for attachment plate (4 pcs) (M4×8 mm [5/16 inches]: accessory).

Recommended tightening torque: 0.78 N-m {0.58 lbf-ft}

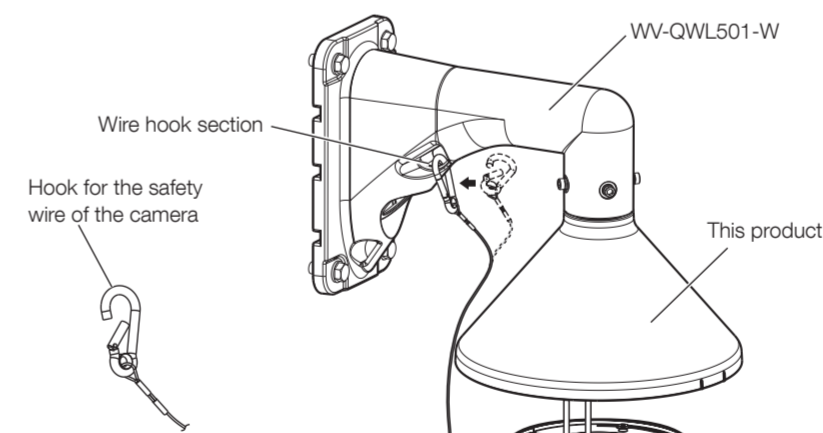


Step 3 Connect the safety wire to WV-QWL501-W

Connect the hook for the safety wire of the camera to the wire hook section on WV-QWL501-W.

Note:

- Depending on the model, the wire lug plate is either attached to the safety wire and packaged, or packaged separately from the safety wire. If the wire lug plate is attached to the safety wire, take off the wire lug plate on the hook for the safety wire of the camera.
- Please properly keep the wire lug plate on the safety wire for later use.
- The camera is not fixed temporarily. Take care not to hit the camera against periphery (especially the dome cover).

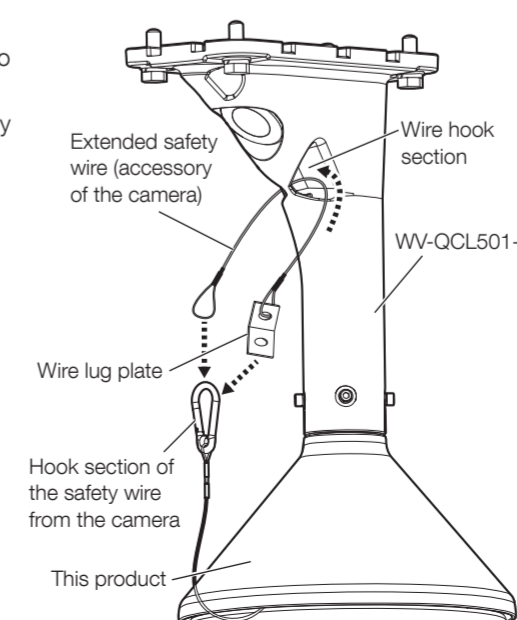


When connecting the safety wire to WV-QCL501-W, follow the procedure below to attach the safety wire to WV-QCL501-W.

①Prepare the extended safety wire (accessory of the camera).

②Pass the extended safety wire through the wire hook section of WV-QCL501-W as shown in the illustration on the right.

③Connect the wire lug plate section of the extended safety wire and the ring on the opposite side to the hook section of the safety wire from the camera.

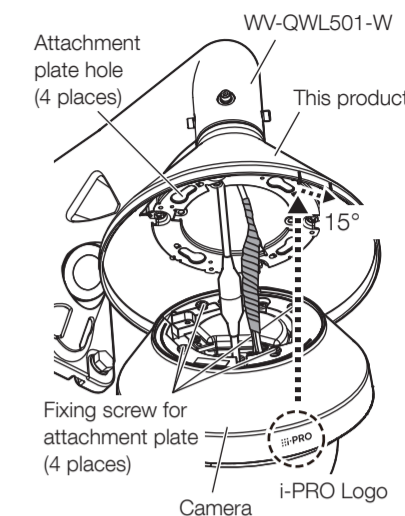


Step 4 Making connections

Refer to the operating instructions of the camera for information on how to connect the cable to the camera.

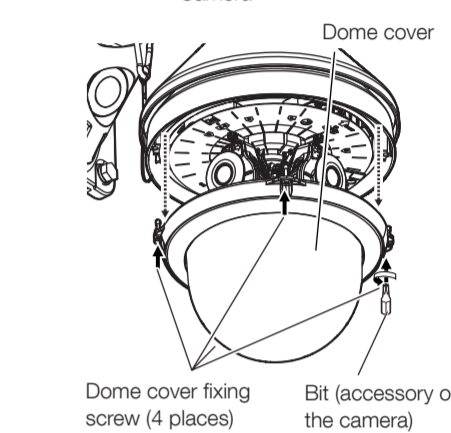
Step 5 Fix the camera

①Align the center of the i-PRO logo on the camera with the "I" mark on the left side of the this product and insert the camera. Then, temporary fix the camera by rotating it around 15° to the "I" mark on the right.



②Loosen 4 dome cover fixing screws using the bit (accessory of the camera), and remove the dome cover from the camera.

③Remove the protective packagings (3 pcs.) from the camera units.



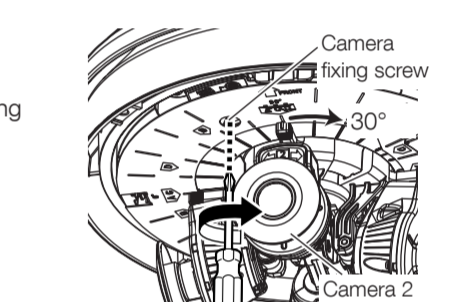
④Shift camera 2 to the arrow direction by 2 scales (30°) shown on the illustration on the right .

⑤Put camera 2 back to the original position after fixing the camera using the camera fixing screw.

⑥If necessary, insert an SD memory card.

⑦Adjust the camera.

Refer to the Installation Guide for the camera for detailed adjustment methods.



⑧Attach the dome cover and fix it by tighten the dome cover fixing screws (4 points) using the bit (accessory of the camera).

