

WV-U31401-F2LG

4MP Indoor Compact Dome Network Camera

All-in-one Compact dome camera with IR-LED



- 4MP Compact dome camera
- Discreet design
- Wide angle of view (Horizontal 128°)
- Built-in IR-LED (10m/33ft)
- Built-in microphone
- NDAA Compliant



SPECIFICATIONS

Camera	
Image Sensor	Approx. 1/2.7 type CMOS image sensor
Scanning Area	5.43 mm (H) × 3.95 mm (V) {7/32 inches (H) × 5/32 inches (V)}
Minimum Illumination	Color : 0.66 lx (30IRE, F2.1, 1/30s) Color : 0.94 lx (50IRE, F2.1, 1/30s) BW : 0.38 lx (50IRE, F2.1, 1/30s) BW : 0 lx (50IRE, F2.1, 1/30s with IR LED)
White Balance	ATW1 / ATW2 / AWC
Shutter Speed	-
Maximum Shutter	30 fps mode: Max.1/10000s to Max.16/30s 25 fps mode: Max.1/10000s to Max.16/25s
Intelligent Auto	On / Off
Super Dynamic	On / Off (Range : 0 to 31) *1
Dynamic Range	Max.102 dB (Super Dynamic : On, Level : 31)
Adaptive Black Stretch	-
Back light Compensation / High light Compensation	BLC (Back light compensation) / HLC (High light compensation) / Off *only when Super Dynamic / Intelligent Auto : Off
Fog Compensation	On / Off (Range : 0 to 8) *only when Intelligent auto / Auto contrast adjust : Off)
Maximum Gain (AGC)	The level can be set in the range of 0 to 11.
Color/BW (ICR)	Off / On (IR Light Off) / On (IR Light On) / Auto1 (IR Light Off) / Auto2 (IR Light On) / Auto3 (SCC)
IR Illumination	High / Middle / Low / Off Maximum irradiation distance : 10 m {Approx. 33 ft} (30IRE)* 7 m {Approx. 23 ft} (50IRE) * Converted value
Digital Noise Reduction	The level can be set in the range of 0 to 255.
Video Motion Detection (VMD)	On / Off, 4 areas available
Scene Change Detection (SCD)	On / Off, 1 area available
Audio Detection	-
AI Sound Classification	-
AI Analytics	-
Privacy Zone	On / Off, Up to 8 zones available
VIQS	On / Off, Up to 8 zones available
Image Stabilizer	-
Camera Title (OSD)	On / Off, Up to 20 characters (alphanumeric characters, marks)
Lens	
Optical Zoom	1x

Extra Zoom	max 4.0 x (when resolution is 640x360)
Digital (electronic) Zoom	-
Focal Length	2.4mm {3/32inches}
Angular Field of View	[16:9 mode] Horizontal : 128° Vertical : 71° [4:3 mode] Horizontal : 123° Vertical : 92°
Maximum Aperture Ratio	1 : 2.1
Focus Adjustment	-
Focus Range	0.7 m {27-9/16 inches} ~ ∞
Aperture Range	F2.1

DORI

Detect (25ppm / 8ppf)	26.2m {86.0ft}
Observe (62.5ppm / 19ppf)	10.5m {34.4ft}
Recognize (125ppm / 38ppf)	5.2m {17.2ft}
Identify (250ppm / 76ppf)	2.6m {8.6ft}

System on Chip (SoC)

System on Chip (SoC)	Ambarella S3LM
----------------------	----------------

Adjusting Angle

Adjusting Angle	Horizontal (PAN) angle : -45° to +45° Vertical (TILT) angle : 0 to +90°, Azimuth (YAW) angle : -90° to +90°
-----------------	---

Browser GUI

GUI/Setup Menu Language	English, Italian, French, German, Spanish, Portuguese, Russian, Chinese, Japanese
Browser *2	Microsoft Edge, Firefox, Google Chrome

Network

Network IF	10Base-T / 100Base-TX, RJ45 connector
Resolution	[16:9 mode (30 fps mode/25 fps mode)] 2560x1440/ 1920x1080/ 1280x720/ 640x360/ 320x180 [16:9 mode (2688x1520 30 fps mode/25 fps mode)] 2688x1520/ 1920x1080/ 1280x720/ 640x360/ 320x180 [4:3 mode (30 fps mode/25 fps mode)] 1280x960/ 640x480/ 320x240 [4:3 mode (15 fps mode/12.5 fps mode)] 2048x1536/ 1280x960/ 640x480/ 320x240
H.265/H.264 Transmission Type *3	[Transmission Mode] Constant bit rate / VBR / Frame rate / Best effort [Transmission Type] Unicast port (AUTO)/ Unicast port (MANUAL)/ Multicast
JPEG (MJPEG) Image Quality	10 steps: 0(SUPER FINE) - 9(LOW)
Smart Coding	GOP(Group of pictures) control On(Frame rate control) */ On(Advanced) */ On(Mid)/ On(Low)/ Off *On(Frame rate control) and On(Advanced) are only available with H.265. AUTO VIQS On/ Off

Audio Compression Method *4	G.726 (ADPCM) : 16 kbps / 32 kbps G.711 : 64 kbps AAC-LC : 64 kbps / 96 kbps / 128 kbps
Supported Protocol	IPv6: TCP/IP, UDP/IP, HTTP, HTTPS, SSL/TLS, SMTP, DNS, NTP, SNMPv1/v2/v3, DHCPv6, RTP, MLD, ICMP, ARP, IEEE 802.1X, DiffServ, FTP, SFTP, LLDP, MQTT IPv4: TCP/IP, UDP/IP, HTTP, HTTPS, SSL/TLS, RTSP, RTP, RTP/RTCP, SMTP, DHCP, DNS, DDNS, NTP, SNMPv1/v2/v3, UPnP, IGMP, ICMP, ARP, IEEE 802.1X, DiffServ, FTP, SFTP, LLDP, MQTT
No. of Simultaneous Users	Up to 14 users (Depends on network conditions)
Secure	Device Certificate GlobalSign® pre-installed, HTTPS, User authentication, Digest authentication, Host authentication, IEEE802.1X, System log, Image transmission log, Brute-force protection
SDXC/SDHC/SD Memory Card (Option)	microSDXC memory card: 64 GB, 128 GB, 256 GB, 512 GB microSDHC memory card: 4 GB, 8 GB, 16 GB, 32 GB microSD memory card: 2 GB
Mobile Terminal Compatibility	iPad / iPhone (iOS 8.0 or later), Android™ terminals
ONVIF® Profile	G / S / T

Alarm

Alarm Source	VMD alarm, SCD alarm, Command alarm, Audio detection alarm
Alarm Actions	SDXC/SDHC/SD memory recording, E-mail notification, HTTP alarm notification Indication on browser, TCP alarm notification output

Input/Output

Audio Input	-
Audio Output	-
External I/O Terminals	-

General

Safety	UL (UL62368-1), c-UL (CSA C22.2 No.62368-1), CE, IEC62368-1
EMC	FCC (Part15 ClassA), ICES-003 ClassA, EN55032 ClassA, EN55035
Power Source	PoE (IEEE802.3af Compliant)
Power Consumption	PoE DC 48V: 110mA / approx. 5.3W(Class 2 device)
Ambient Operating Temperature	0 °C to +40 °C (32 °F to 104 °F)
Ambient Operating Humidity	10 to 90 % (no condensation)
Dimensions	ø104 mm x 51 mm (H) {ø4-3/32 inches x 2 inches (H)}
Mass (Approx.)	Approx. 280 g {0.62 lbs}
Finish	Main body: ABS resin, i-PRO white Front panel:PC resin,Smoke

NOTES

*1 When 60 fps or 50 fps is selected, the Super Dynamic function is automatically set to off.

*2 For information on the operation verification of the web browsers, refer to our support website <Control No.: C0132>.

*3 Transmission for 3 streams can be individually set.

*4 When recording audio on an SD memory card, only use AAC-LC (Advanced Audio Coding - Low Complexity) .

Important

– Safety Precautions : Carefully read the Basic Information,Installation Guide and Operating Instructions before using this product.
– i-PRO Co., Ltd. cannot be held responsible for the performance of the network and/or other manufacturers' products used on the network.

- Masses and dimensions are approximate.
- Specifications are subject to change without notice.

Trademarks and registered trademarks

- iPad and iPhone are trademarks of Apple Inc., registered in the U.S. and other countries. - Android is a trademark of Google LLC.
- ONVIF is a trademark of ONVIF, Inc.
- All other trademarks identified herein are the property of their respective owners

©i-PRO Co., Ltd All rights reserved / August 2023

OPTIONAL ACCESSORIES

Select a compatible accessory

[Accessory Selector \(i-pro.com\)](http://i-pro.com).



WV-QAT502-W
Gangbox Adapter



WV-QCL100-W
Mount Bracket



WV-QCL101-W
Mount Bracket



WV-QCN500-W
Mount Bracket



WV-QJB500-W
Mount Bracket



WV-QJB502A-W
Mount Bracket

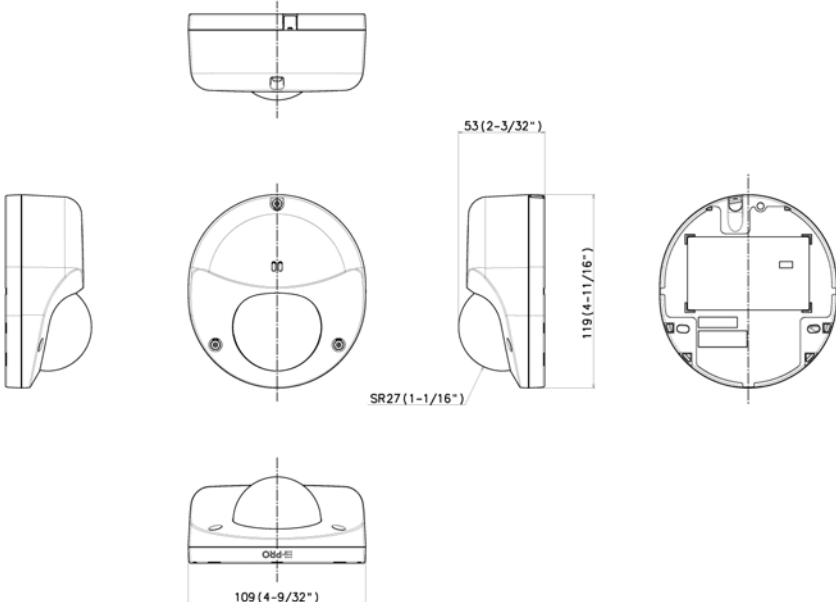


WV-QPL500-W
Mount Bracket



WV-QWL500-W
Mount Bracket

APPEARANCE



Mass : Approx. 550 g (1.21 lbs)

